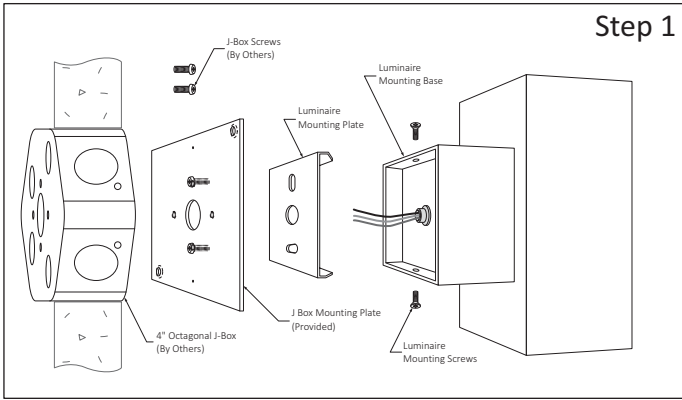


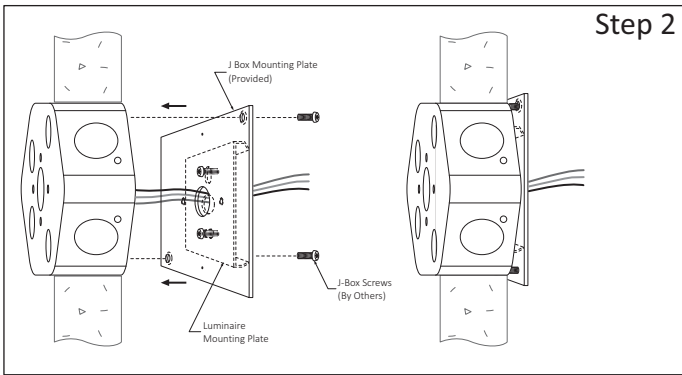
PREPARING THE LUMINAIRE

SURFACE WALL MOUNT LUMINAIRE DL400 "LED"

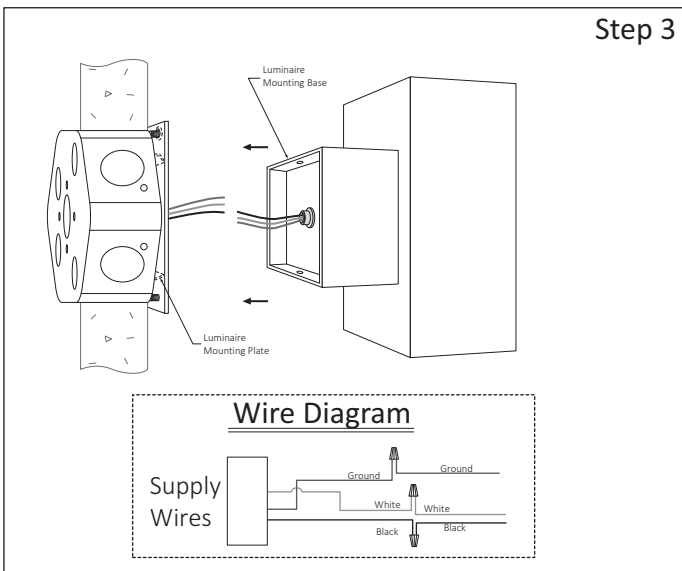
SAVE THIS INSTRUCTIONS



Step 1 - Disassemble Luminaire Parts for easy Installation:
 a.- Remove Mounting Plate to install Luminaire Lamp Enclosure.



Step 2 - Install J-Box Mounting Plate:
 a.- Run Electric Wires through the Center Hole of Plates.
 b.- Install the Plate onto the Electrical Box and secure it using two J-Box Screws (By Others).

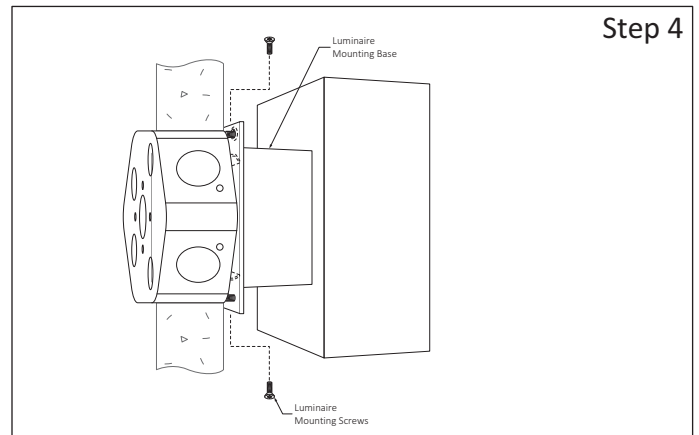


Step 3 - Make Wiring Connections:
 a.- Make hard-wire connections, see Wire Diagram.
 b.- Place all hard-wire connections into the Electrical Box.

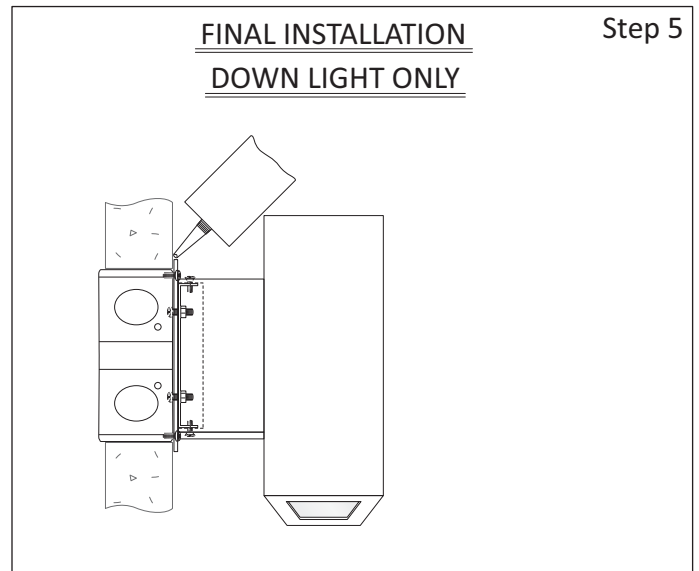
READ AND UNDERSTAND ALL INSTRUCTIONS BEFORE INSTALLATION. IF YOU ARE NOT FAMILIAR WITH THE NATIONAL ELECTRICAL CODE (NEC), CONTACT A QUALIFIED ELECTRICIAN TO INSTALL THIS LUMINAIRE.

WARNING.- Before installing this luminaire or doing any maintenance, turn off the power supply at the circuit breaker or fuse box. Turning the power off using the light switch is not sufficient to prevent electrical shock.

NOTE:
 To re-lamp, replacement parts or additional information, contact or visit manufacturer at www.lumux.net



Step 4 - Install Lamp Enclosure:
 a.- Place Lamp Enclosure onto the Mounting Plate, Align the Holes with the Bracket (provided) and fasten using the Flat Head Screw (provided).



Step 5 - Final Installation:
 a.- It is recommended to install Lamp Enclosure Facing Down and apply silicone around the Enclosure for a water seal for Outdoor Application.