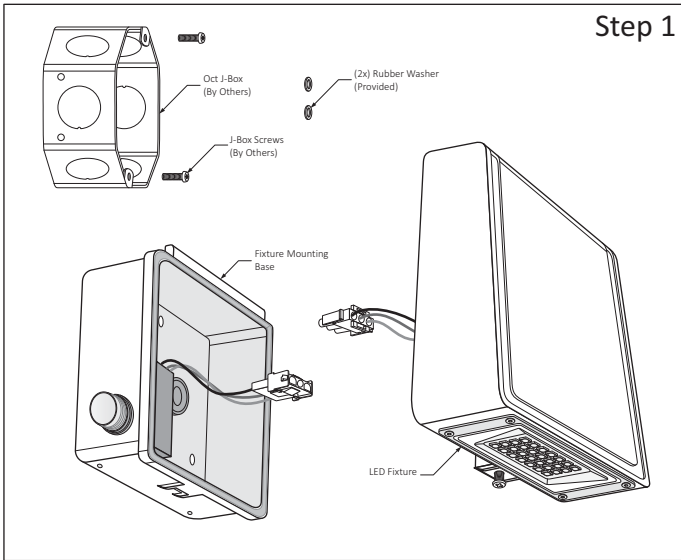


PREPARING THE LUMINAIRE

SURFACE WALL MOUNT LUMINAIRE: DL300

SAVE THIS INSTRUCTIONS



Step 1

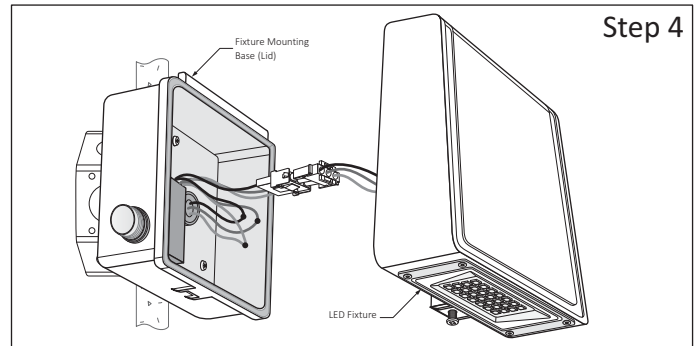
READ AND UNDERSTAND ALL INSTRUCTIONS BEFORE INSTALLATION. IF YOU ARE NOT FAMILIAR WITH THE NATIONAL ELECTRICAL CODE (NEC), CONTACT A QUALIFIED ELECTRICIAN TO INSTALL THIS LUMINAIRE.

WARNING.- Before installing this luminaire or doing any maintenance, turn off the power supply at the circuit breaker or fuse box. Turning the power off using the light switch is not sufficient to prevent electrical shock.

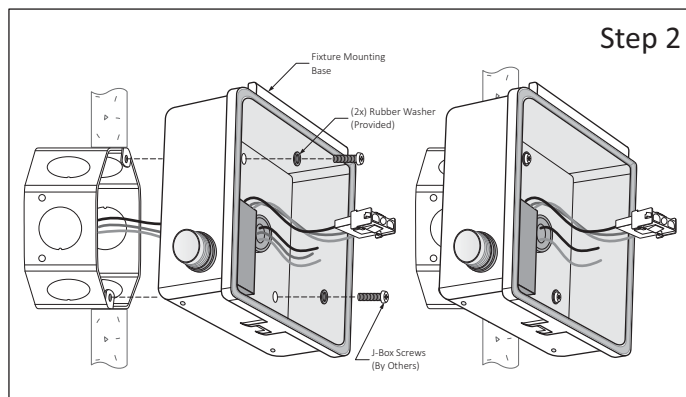
NOTE:

To re-lamp, replacement parts or additional information, contact or visit manufacturer at www.lumux.com

Step 1 - Disassemble Luminaire Parts for easy Installation:
a.- Remove and disconnect LED Fixture from Mounting Base.



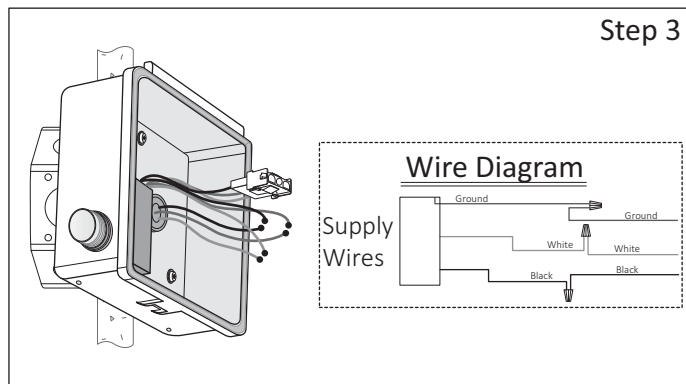
Step 4



Step 2

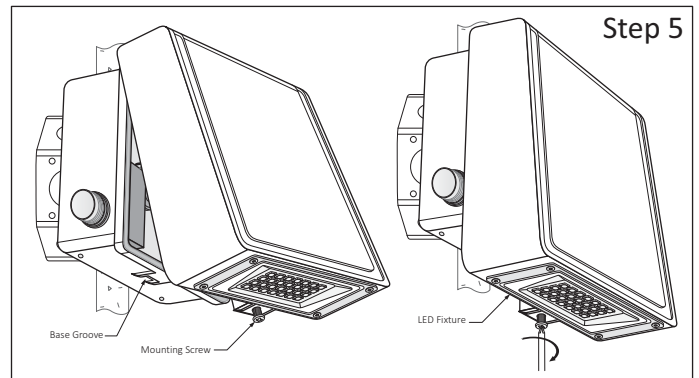
Step 2 - Install Fixture Mounting Base:
a.- Run the Electrical Wires through Mounting Base Hole (Grommet).
b.- Place the Fixture Base onto the Electrical Box and secure it using two Rubber Washers and J-Box Screws (By others).

Step 4 - Connect LED Fixture:
a.- Place Fixture close to Base and insert Quick Connectors (provided).



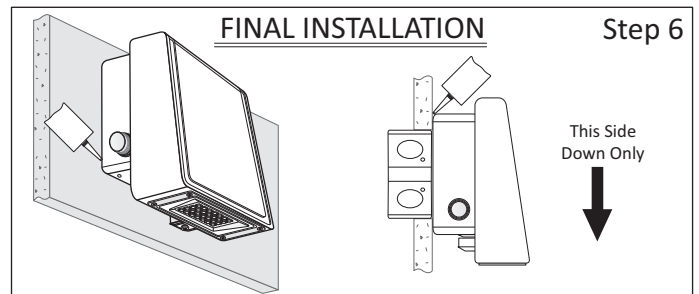
Step 3

Step 3 - Make Wiring Connections:
a.- Run the Electrical Wires through all the Parts and make hard-wire connections, see Wire Diagram.



Step 5

Step 5 - Install Fixture:
a.- Insert the LED Fixture on top of Base Lid and make sure all wire connections are push back in the Base.
b.- Push the LED Fixture against the Base, align the Screw inside the Base groove and fasten using the Mounting Screw (provided).



Step 6 - Final Installation:
a.- It is recommended to apply silicone around the Luminaire Base and wall surface for a watertight seal for Outdoor Application.