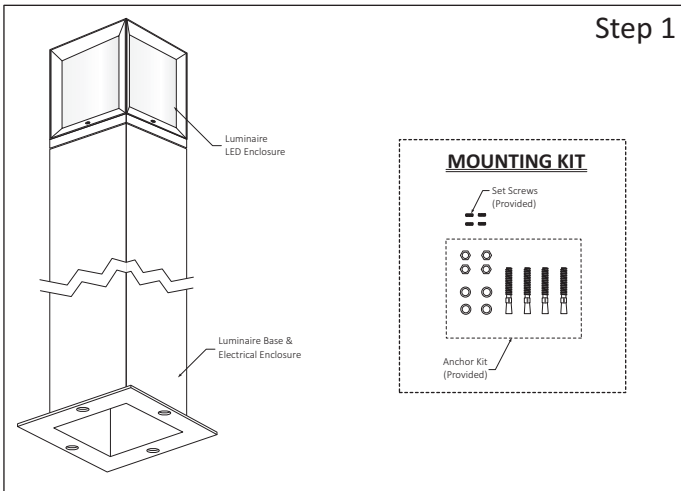


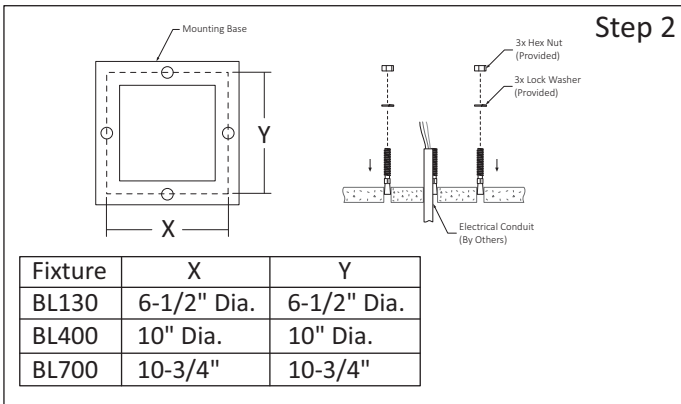
PREPARING THE LUMINAIRE

SURFACE LUMINAIRE: BL130/BL400/BL700 "LED BOLLARD"

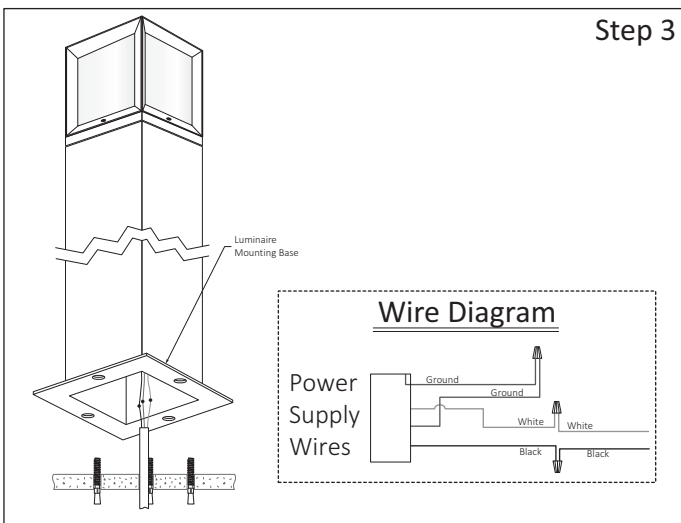
SAVE THIS INSTRUCTIONS



Step 1 - Unpack all Luminaire Parts for easy Installation:
a.- Check Luminaire Mounting Base and Anchor Kit (Provided).



Step 2 - Install Luminaire Mounting Anchor Kit:
a.- Arrange Anchors Locations, Installer may use the Luminaire Base as a template to set the hole pattern, (check Chart for Anchor Setting).

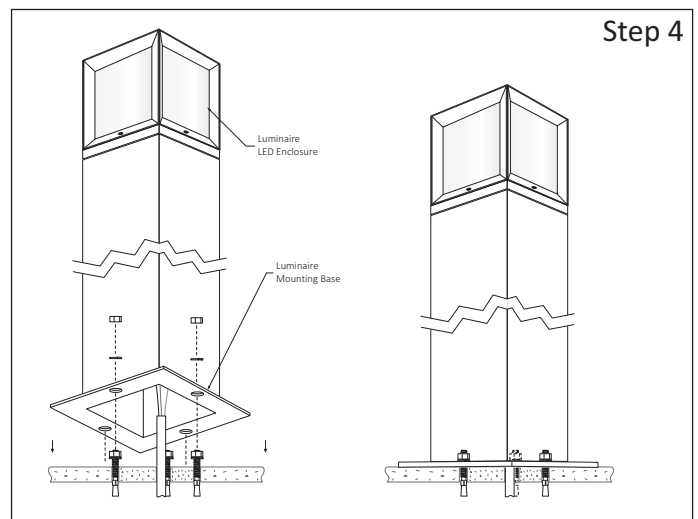


Step 3 - Make Wiring Connections:
a.- Place Luminaire close to Base and run wiring and make connections, see Wire Diagram.

READ AND UNDERSTAND ALL INSTRUCTIONS BEFORE INSTALLATION. IF YOU ARE NOT FAMILIAR WITH THE NATIONAL ELECTRICAL CODE (NEC), CONTACT A QUALIFIED ELECTRICIAN TO INSTALL THIS LUMINAIRE.

WARNING.- Before installing this luminaire or doing any maintenance, turn off the power supply at the circuit breaker or fuse box. Turning the power off using the light switch is not sufficient to prevent electrical shock.

NOTE:
To re-lamp, replacement parts or additional information, contact or visit manufacturer at www.lumux.net



Step 4 - Install Luminaire Base:
a.- Place Luminaire Base, align the Base Hole Pattern and fasten using the Lock Washers and Hex Nuts (Provided).

