

**PREPARING THE LUMINAIRE**

**SURFACE LUMINAIRE: BL300 "LED"**

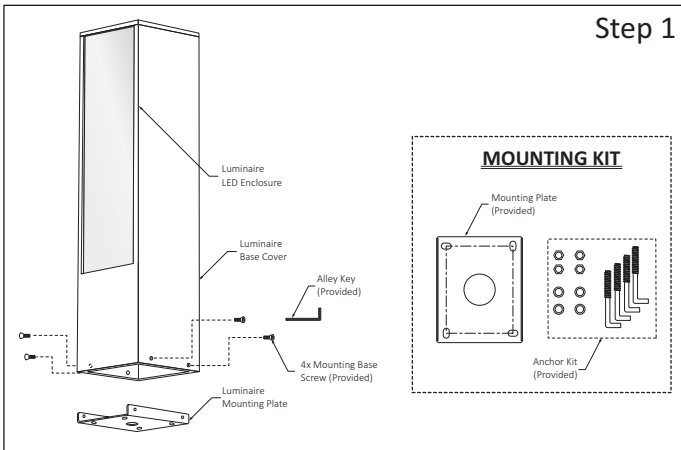
**SAVE THIS INSTRUCTIONS**

READ AND UNDERSTAND ALL INSTRUCTIONS BEFORE INSTALLATION. IF YOU ARE NOT FAMILIAR WITH THE NATIONAL ELECTRICAL CODE (NEC), CONTACT A QUALIFIED ELECTRICIAN TO INSTALL THIS LUMINAIRE.

**WARNING.-** Before installing this luminaire or doing any maintenance, turn off the power supply at the circuit breaker or fuse box. Turning the power off using the light switch is not sufficient to prevent electrical shock.

**NOTE:**

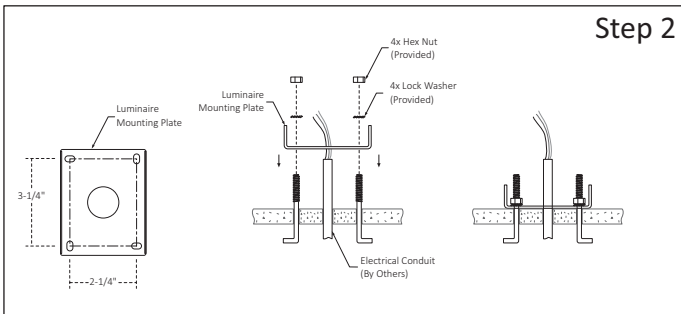
To re-lamp, replacement parts or additional information, contact or visit manufacturer at [www.lumux.net](http://www.lumux.net)



Step 1

**Step 1 - Disassemble Luminaire Parts for easy Installation:**

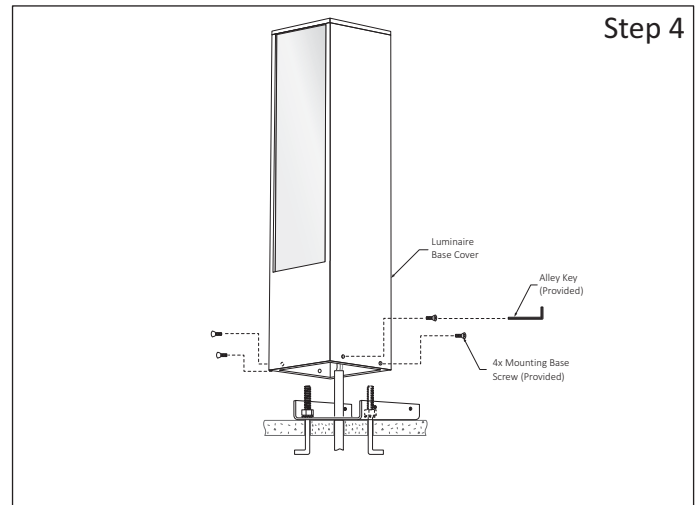
a.- Remove Luminaire Mounting Plate from Base Cover.



Step 2

**Step 2 - Install Luminaire Mounting Base:**

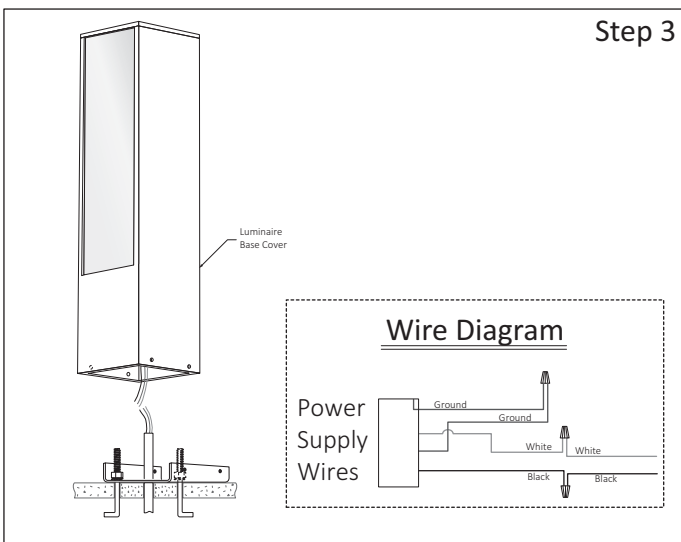
- a.- Arrange Anchors Locations, Installer may use the Mounting Plate as a template to set the hole pattern.
- b.- Insert Luminaire Mounting Plate on the Anchorage and fasten using the Lock Washers and Hex Nuts Provided.



Step 4

**Step 4 - Install Luminaire Base Cover:**

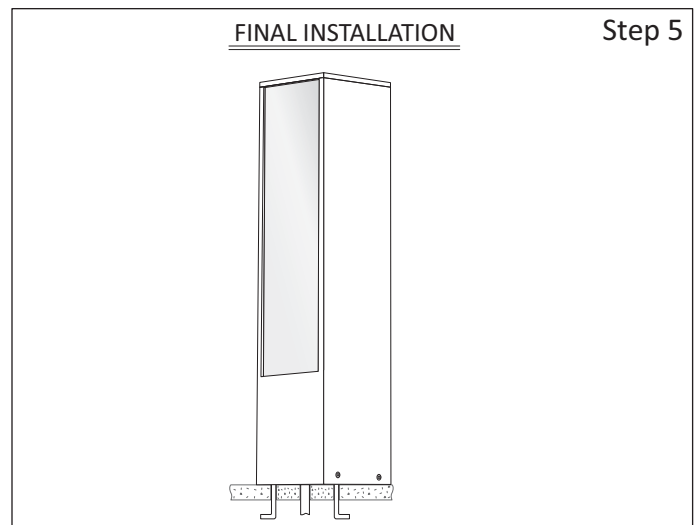
a.- Place Luminaire Base Cover onto the Mounting Plate, align the four holes and secure it using the four Screws and Alley Key (provided).



Step 3

**Step 3 - Make Wiring Connections:**

a.- Place Luminaire Base close to the Mounting Base and make hard-wire connections, see Wire Diagram.



Step 5