

# LUMUX

## WALL SCONCES

### WS850

The Lumux Wall Sconce ("WS") series combines architectural design and quality with high performance, and features a range of vandal resistant, wall and ceiling mounted luminaries with a variety of grill and visor options. Designed for accent lighting of walls and facades, the Lumux WS series is constructed from the highest quality components and is built for optimal performance in any environment while offering elegant and attractive form factors.

**Housing:** Heavy-duty construction of one-piece, corrosion resistant, low-copper (<1% copper) die-cast aluminum. Enclosed lens secured with vandal resistant, stainless-steel screws.

**Lens:** One piece injection molded white opal, 1/8" thick, shatter proof polycarbonate lens.

**Mounting:** Surface mounted, wall or ceiling

**Installation:** Mounting bracket provided that fits any standard 3.0" or 4.0" J-Box

**Finish:** Zinc polyester powder coat finish in black, white, silver, bronze, or any custom RAL color. Consult factory for marine grade or anti-microbial finish.

**Driver:** Constant current and universal input voltage 120/277V, starting temperature rated at -20°F. Dimmable option available (0-10v).

**Gasket:** Closed cell silicon foam gasket that seals out moisture, dust, and insects for weather tight operation.

**Protection Class:** IP65, ETL Listed for wet locations

**Wattage:** 24W

**Color Temperature:** 2700K / 3000K / 3500K / 4000K

<b>Delivered Lumens:</b>	<b>2700K</b>	<b>3000K</b>	<b>3500K</b>	<b>4000K</b>
	523Lm	580Lm	650Lm	716Lm

*Please consult factory for higher lumen packages*

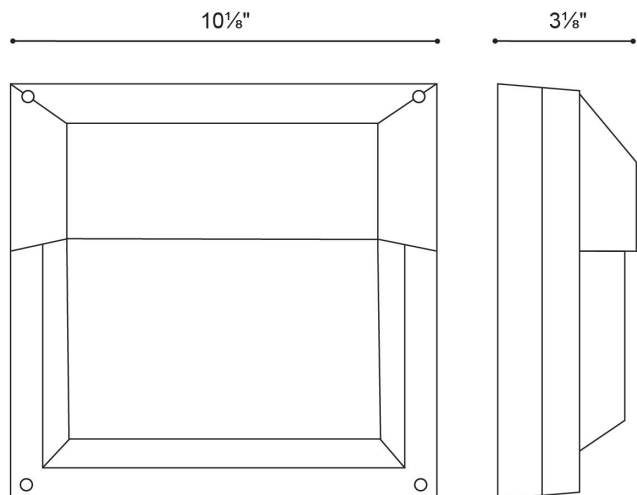
**CRI:** 90

**Warranty:** 5 year limited warranty

DATE: \_\_\_\_\_  
PROJECT: \_\_\_\_\_  
FIRM: \_\_\_\_\_  
CATALOG NO.: \_\_\_\_\_  
COMMENTS: \_\_\_\_\_



#### Dimensions:



# LUMUX

## WALL SCONCES

### WS850

DATE:

PROJECT:

FIRM:

CATALOG NO.:

COMMENTS:

#### Ordering Guide:

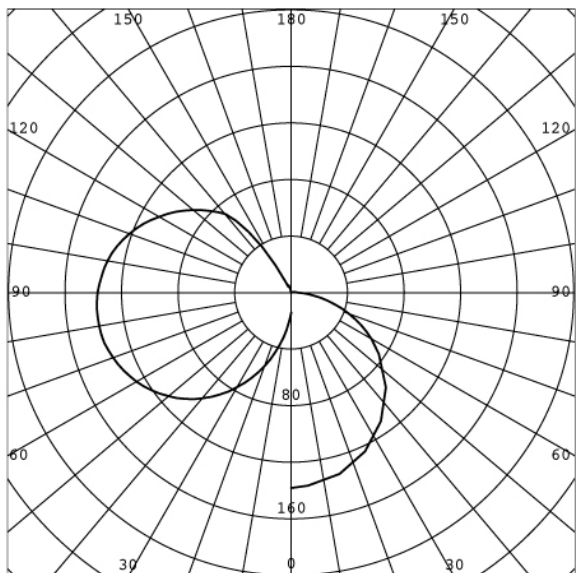
Catalog No.	LED Color	Color Temp <sup>1</sup>	Voltage	Finish	Options <sup>2</sup>
WS850	White	2700K	120/277	Black	<input type="checkbox"/> Dimmable driver (0-10v)
	Amber	3000K		White	
		3500K		Silver	
		4000K		Bronze	
				Custom RAL <sup>2</sup>	

<sup>1</sup>Consult factory for additional options

<sup>2</sup>Consult factory for additional options

Catalog No.: \_\_\_\_\_

#### Photometrics



Content of specification sheet subject to change

LUMUX LIGHTING

7803 Industry Ave, Pico Rivera, CA 90660

sales@lumux.com | 562-801-5100