

LUMUX

WALL SCONCES

WS840

The Lumux Wall Sconce ("WS") series combines architectural design and quality with high performance, and features a range of vandal resistant, wall and ceiling mounted luminaries with a variety of grill and visor options.

Designed for accent lighting of walls and facades, the Lumux WS series is constructed from the highest quality components and is built for optimal performance in any environment while offering elegant and attractive form factors.

Housing: Heavy-duty construction of one-piece, corrosion resistant, low-copper (<1% copper) die-cast aluminum. Enclosed lens secured with vandal resistant, stainless-steel screws.

Lens: One piece injection molded white opal, 1/8" thick, shatter proof polycarbonate lens.

Mounting: Surface mounted, wall or ceiling

Installation: Mounting bracket provided that fits any standard 3.0" or 4.0" J-Box

Finish: Zinc polyester powder coat finish in black, white, silver, bronze, or any custom RAL color. Consult factory for marine grade or anti-microbial finish.

Driver: Constant current and universal input voltage 120/277V, starting temperature rated at -20°F. Dimmable option available (0-10v).

Gasket: Closed cell silicon foam gasket that seals out moisture, dust, and insects for weather tight operation.

Protection Class: IP65, ETL Listed for wet locations

Wattage: 24W

Color Temperature: 2700K / 3000K / 3500K / 4000K

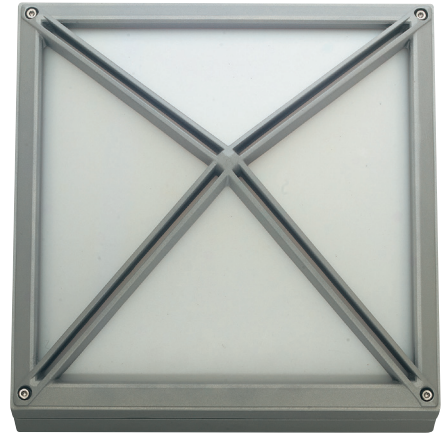
Delivered Lumens: 2700K 3000K 3500K 4000K
1134Lm 1260Lm 1400Lm 1554Lm

Please consult factory for higher lumen packages

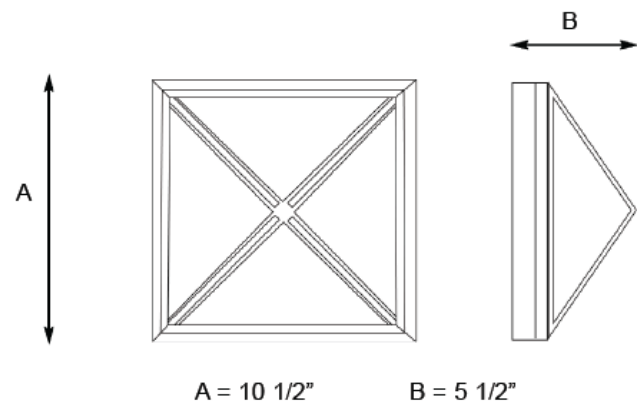
CRI: 90

Warranty: 5 year limited warranty

DATE: _____
PROJECT: _____
FIRM: _____
CATALOG NO.: _____
COMMENTS: _____



Dimensions:



A = 10 1/2"

B = 5 1/2"

LUMUX

WALL SCONCES

WS840

DATE:

PROJECT:

FIRM:

CATALOG NO.:

COMMENTS:

Ordering Guide:

Catalog No.	LED Color	Color Temp ¹	Voltage	Finish	Options ²
WS840	White Amber	2700K 3000K 3500K 4000K	120/277	Black White Silver Bronze Custom RAL ²	<input type="checkbox"/> Dimmable driver (0-10v)

¹Consult factory for additional options

²Consult factory for additional options

Catalog No.: _____