

# LUMUX

## WALL SCONCES

### ROYAL II

The Lumux L series combines architectural design and quality with high performance, and features a range of vandal resistant, wall and ceiling mounted luminaires with a variety of grill and visor options. Designed for accent lighting of walls and facades, the Lumux L series is constructed from the highest quality components and is built for optimal performance in any environment while offering elegant and attractive form factors.

**Housing:** Heavy-duty construction of one-piece, corrosion resistant, low-copper (<1% copper) die-cast aluminum. Enclosed lens secured with vandal resistant, stainless-steel screws.

**Lens:** One piece injection molded white opal, 1/8" thick, UV rated polycarbonate lens.

**Mounting:** Surface mounted, wall or ceiling

**Installation:** Mounting bracket provided that fits any standard 3.0" or 4.0" J-Box

**Finish:** Zinc polyester powder coat finish in black, white, silver, bronze, or any custom RAL color. Consult factory for marine grade or anti-microbial finish.

**Driver:** Constant current and universal input voltage 120/277V, starting temperature rated at -20°F. Dimmable option available (0-10v).

**Gasket:** Closed cell silicon foam gasket that seals out moisture, dust, and insects for weather tight operation.

**Protection Class:** IP65, ETL Listed for wet locations

**Wattage:** 24W

**Color Temperature:** 2700K / 3000K / 3500K / 4000K

<b>Delivered Lumens:</b>	<b>2700K</b>	<b>3000K</b>	<b>3500K</b>	<b>4000K</b>
	520Lm	580Lm	645Lm	716Lm

*Please consult factory for higher lumen packages*

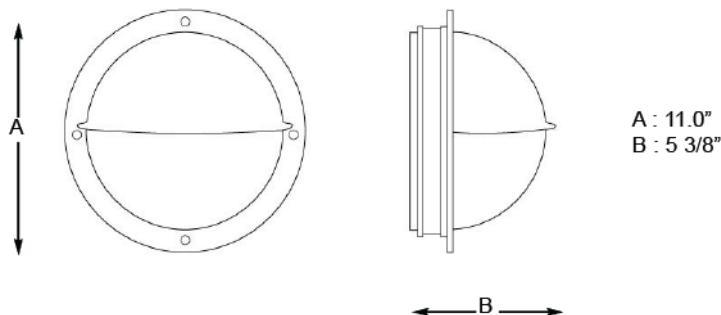
**CRI:** 90

**Warranty:** 5 year limited warranty

DATE: \_\_\_\_\_  
PROJECT: \_\_\_\_\_  
FIRM: \_\_\_\_\_  
CATALOG NO.: \_\_\_\_\_  
COMMENTS: \_\_\_\_\_



#### Dimensions:



# LUMUX

## WALL SCONCES ROYAL II

DATE:

PROJECT:

FIRM:

CATALOG NO.:

COMMENTS:

### Ordering Guide:

Catalog No.	LED Color	Color Temp <sup>1</sup>	Voltage	Finish	Options <sup>2</sup>
Royal II	White	2700K	120/277	Black	<input type="checkbox"/> Dimmable driver (0-10v)
	Amber	3000K		White	
		3500K		Silver	
		4000K		Bronze	
				Custom RAL <sup>2</sup>	

<sup>1</sup>Consult factory for additional options

<sup>2</sup>Consult factory for additional pricing

Consult factory for compact fluorescent options

Catalog No.: \_\_\_\_\_