

# LUMUX

## POST TOP PT510SC

The Lumux Post Top ("PT") series is a family of precision engineered, energy efficient LED architectural post tops that are designed for durability and performance. Constructed from the highest quality materials and components, the PT series is a powerful solution to illuminate large areas such as parking lots, public spaces, common areas, parks, entrance ways, in addition to many others. The Lumux PT housing features low-copper, corrosion resistant, die cast aluminum that is designed for long-lasting applications in severe weather conditions. All hardware is vandal resistant, stainless-steel while also featuring closed cell, silicon foam gasketing that seals out moisture, dust, and insects for weather-tight operation. All Lumux PT luminaires are dark-sky friendly, as all models offer a shielded light source with either a visor or a hood, while a glass diffuser reduces glare and enhances visual comfort. The PT series offers a range of design options that are suitable for both modern and classic architecture and a variety of mounting and installation options are available such as pole mounting, wall mounting, or pendant mounting.

**Housing:** Heavy-duty construction of corrosion resistant, low-copper die cast aluminum. All hardware is vandal resistant, grade 316 stainless-steel.

**Lens:** 1/8" thick shatter proof clear glass diffuser

**Mounting:** Pole mount, wall mount, or pendant; multiple configurations available (please refer to diagram)

**Installation:** Wall mount bracket is 6.25" in diameter; post top tenon is 3.0" in diameter by 3.5" in length

**Finish:** Zinc polyester powder coat finish in black, white, silver, bronze, or any custom RAL color. Consult factory for marine grade or anti-microbial finish.

**Driver:** Constant current and universal input voltage 120/277V, starting temperature rated at -20°F. Dimmable option available (0-10v).

**Gasket:** Closed cell silicon foam gasket that seals out moisture, dust, and insects for weather tight operation.

**Protection Class:** IP65, ETL Listed for wet locations

**Wattage:** 47.6W

**Color Temperature:** 2700K / 3000K / 3500K / 4000K

**Delivered Lumens:** 2700K 3000K 3500K 4000K  
1090Lm 1215Lm 1280Lm 1347Lm

*Please consult factory for higher lumen packages*

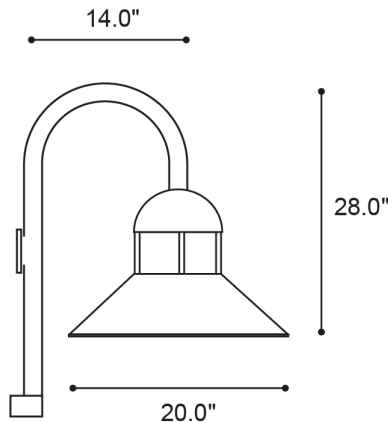
**CRI:** 90

**Warranty:** 5 year limited warranty

DATE: \_\_\_\_\_  
PROJECT: \_\_\_\_\_  
FIRM: \_\_\_\_\_  
CATALOG NO.: \_\_\_\_\_  
COMMENTS: \_\_\_\_\_



### Dimensions:



# LUMUX

## POST TOP PT510SC

DATE:

PROJECT:

FIRM:

CATALOG NO.:

COMMENTS:

### Ordering Guide:

Catalog No.	LED Color	Color Temp <sup>1</sup>	Voltage	Finish	Options <sup>2</sup>
PT510SC	White	2700K	120/277	Black	<input type="checkbox"/> Dimmable driver (0-10v) <input type="checkbox"/> Post Top - 1 Head <input type="checkbox"/> Post Top - 2 Heads <input type="checkbox"/> Post Top - 3 Heads <input type="checkbox"/> Wall Mount <input type="checkbox"/> Pendant <input type="checkbox"/> Photocell
		3000K		White	
		3500K		Silver	
		4000K		Bronze	
				Custom RAL <sup>2</sup>	

<sup>1</sup>Consult factory for additional options

<sup>2</sup>Consult factory for pricing

<sup>2</sup>Consult factory for pole lengths

Catalog No.: \_\_\_\_\_