

LUMUX

STEP LIGHTS

SLS755

DATE:

PROJECT:

FIRM:

CATALOG NO.:

COMMENTS:

The Lumux SLS series is a family of precision engineered, surface-mounted LED architectural step lights that are designed for durability and performance. Constructed from the highest quality materials and components, this step light is offered in a wide array of form factors and grill options to fit any specification. A diecast aluminum body is seamlessly integrated with its faceplate with captive, vandal resistant stainless-steel screws. This step light features a clear glass diffuser, reducing glare, and is energy efficient for long-lasting indoor and outdoor applications.

Housing: Heavy-duty construction of corrosion resistant, low-copper die cast aluminum. Faceplate secured with vandal resistant, stainless-steel screws.

Lens: 1/8" thick shatter proof clear glass diffuser

Mounting: Surface mounted

Installation: Installs into a standard j-box (please refer to installation instructions)

Finish: Zinc polyester powder coat finish in black, white, silver, bronze, or any custom RAL color. Consult factory for marine grade or anti-microbial finish.

Driver: Constant current and universal input voltage 120/277V, starting temperature rated at -20°F.

Gasket: Closed cell silicon foam gasket that seals out moisture, dust, and insects for weather tight operation.

Protection Class: IP65, ETL Listed for wet locations

Wattage: 16.6W

Color Temperature: 2700K / 3000K / 3500K / 4000K

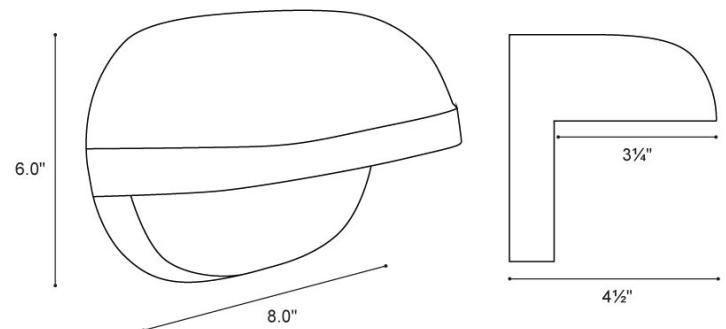
Delivered Lumens:	2700K	3000K	3500K	4000K
	620Lm	690Lm	805Lm	922Lm

CRI: 90

Warranty: 5 year limited warranty



Dimensions:



LUMUX

STEP LIGHTS

SLS755

DATE:

PROJECT:

FIRM:

CATALOG NO.:

COMMENTS:

Ordering Guide:

Catalog No.	LED Color	Color Temp ¹	Voltage	Finish	Options ²
SLS755	White	2700K	120/277	Black	<input type="checkbox"/> Photocell
		3000K		White	
		3500K		Silver	
		4000K		Bronze	
				Custom RAL ²	

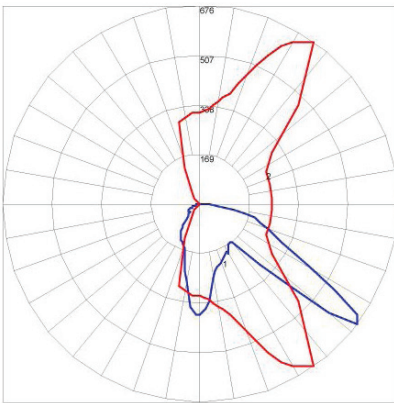
¹ Color Temperature applies only to White LED Color

¹ Consult factory for additional options

² Consult factory for additional options

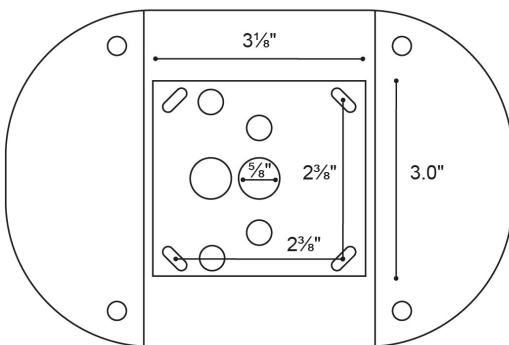
Catalog No.: _____

Photometrics:



Maximum Candela = 675.9 Located At Horizontal Angle = 55, Vertical Angle = 52.5
 # 1 - Vertical Plane Through Horizontal Angles (55 - 235) (Through Max. Cd.)
 # 2 - Horizontal Cone Through Vertical Angle (52.5) (Through Max. Cd.)

Additional Options:



Content of specification sheet subject to change