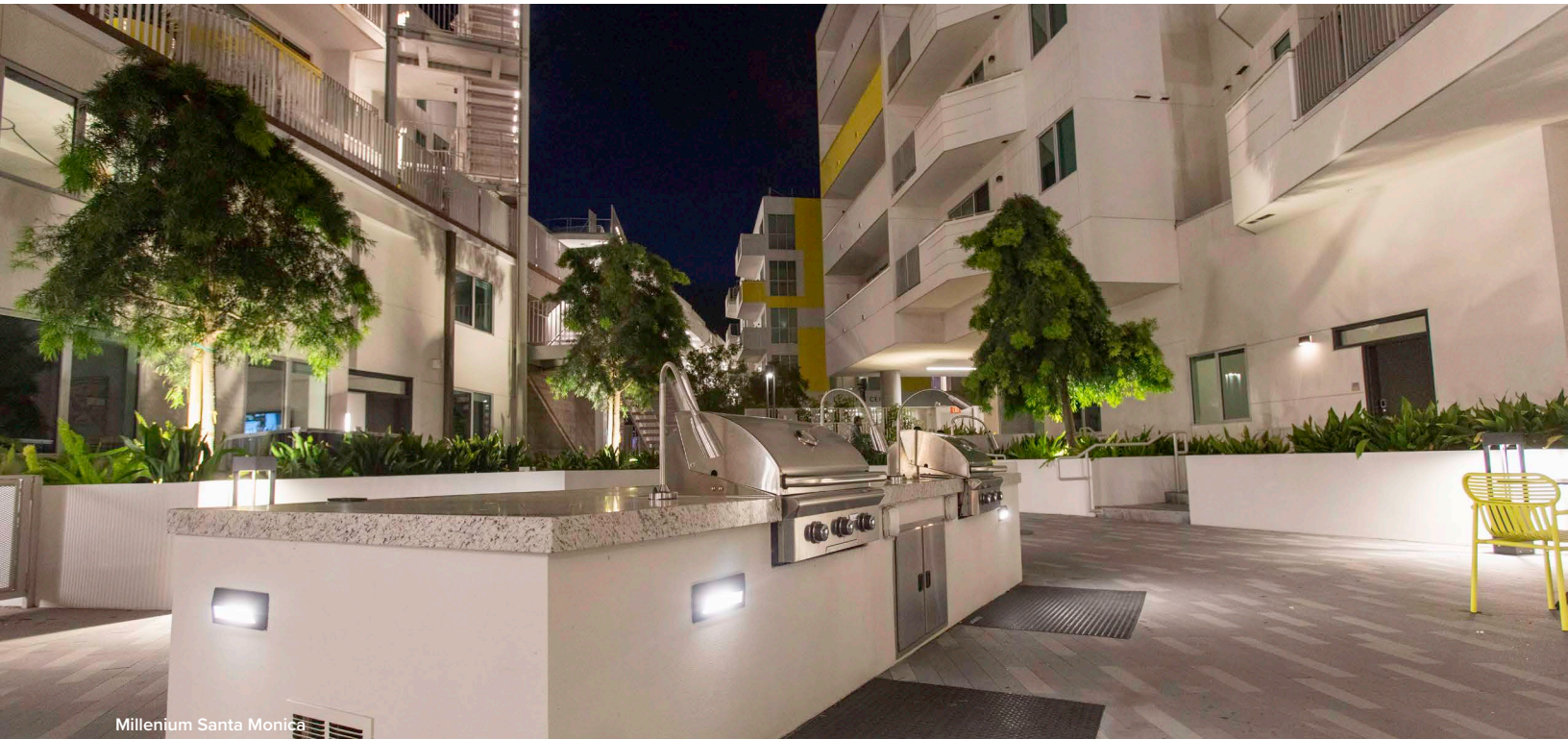


LUMUX

STEP LIGHT

SL650

DATE: _____
PROJECT: _____
FIRM: _____
CATALOG NO.: _____
COMMENTS: _____



Millenium Santa Monica



SL650 from Lumux is an elegant architectural step light featuring a glare hood, precision engineered for durability and performance.

SL650 offers a distinctively contemporary, minimalist design. Ideal for illuminating steps, facades, and walls, SL650 is a powerful outdoor LED solution. SL650 Series step lights are energy-efficient for long-lasting indoor and outdoor applications. The SL600 Series features models with clear woven frost-glass diffusers, protective grills, or glare-hoods to shield the light source.



SL650 powdercoated faceplate
glare-hood over impact-resistant glass diffuser

up to
300 lm

9W

up to
34 lm/W

LUMUX LIGHTING

7803 Industry Ave, Pico Rivera, CA 90660
sales@lumux.com | 562-801-5100

Content of specification sheet subject to change

LUMUX

STEP LIGHT SL650

SL650 is an elegant step and wall light with a modern design and glare hood finish options, perfect for campus, resort and residential use.

Ordering Guide

| Catalog No. | LED Color | Color Temp ¹ | Voltage | Finish | Options ² |
|-------------|-----------|-------------------------|----------|-------------------------|--|
| SL650 | White | 2700K | 120-277v | Black | <input type="checkbox"/> 0-10v Dimming <input type="checkbox"/> Concrete pour box |
| | Amber-TF | 3000K | | White | |
| | Amber | 3500K | | Silver | |
| | Red | 4000K | | Bronze | |
| | Green | | | Custom RAL ² | |
| | Blue | | | | |

¹Consult factory for additional options

²Consult factory for additional pricing

Catalog No.: _____

| Performance Specifications | |
|-----------------------------------|------------------------|
| Flux 300 lm (4000K) | LER 50 lm/W |
| Power 9W | 120-277v input voltage |
| Starting temp. rated to -20°F | Constant Current |
| Dimmable driver (0-10v) option | |
| Lumen Maintenance*: L70 >100K hrs | |

| Environmental Specifications | |
|------------------------------|------------------------------|
| BUG rating: B0-U2-G1 | |
| CRI 80 | Color temperature options |
| IP65 | ETL listed for wet-locations |
| Effective Projected Area n/a | Marine Grade option |
| 5-year limited warranty | Made in the USA |

Delivered Lumens & Wattage per color temperature:

| | 2700K | 3000K | 3500K | 4000K | WATTS |
|-------|--------|--------|--------|--------|-------|
| SL600 | 270 lm | 285 lm | 300 lm | 300 lm | 9W |

For higher lumen packages, please consult the Lumux sales team.

Housing: SL650 features a powder-coated glare hood faceplate mounted to a diecast aluminum housing with vandal-resistant stainless steel screws.

Lens: Sealed one-piece shatter-proof frosted glass diffuser.

Gasket: Closed-cell silicone foam gasket that seals out moisture, dust, and insects, for weather tight operation.

Mounting: Recessed, with optional concrete pour-box.

Installation: Please refer to installation instructions.

Finish: Zinc-polyester powder coat finish in black, white, silver, bronze, or any custom RAL color. Consult factory for marine grade or anti-microbial finish.



SL650 powdercoated faceplate
glare-hood over impact-resistant glass diffuser

Dimensions & Options

*Lumen Maintenance Report: Forzlux
Test Documentation No.: BB12TB

Content of specification sheet subject to change

LUMUX

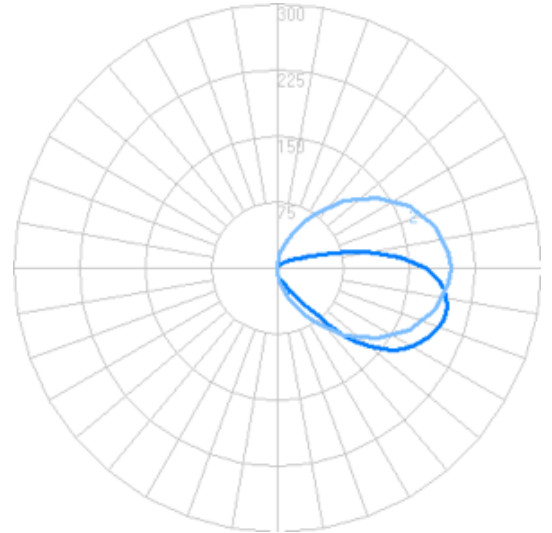
STEP LIGHT SL650

DATE: _____
 PROJECT: _____
 FIRM: _____
 CATALOG NO.: _____
 COMMENTS: _____

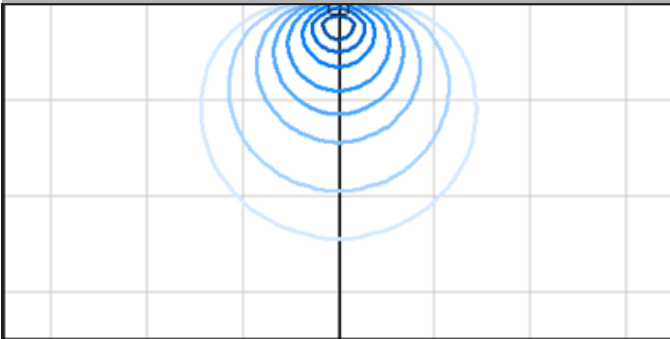
| Photometry | IESNA: LM-63-2002 |
|---------------------------------|--------------------------------|
| TEST: 14165719.03 | TEST LAB: UL LLC |
| LUMINAIRE: SL650 | DATE: 2022-01-20 |
| IES Classification: Type IV | Longitudinal Class: Very Short |
| Luminaire Lumens | 297 (4000K) |
| Luminaire Efficacy Rating (LER) | 34 |
| Total Luminaire Watts | 8.652W |
| Upward Waste Light Ratio | 0.49 |
| Max. Candela | 198.1 |
| Max. Cd. < 90° Vertical | 198.1 |
| Max. Cd. (At 90 Deg. Vert.) | 168.1 (51.4% Luminaire) |
| Max. Cd. (80 to <90 Deg. Vert.) | 195.3 (51.4% Luminaire) |
| Cutoff Classification: N.A. | BUG Rating: B0-U2-G1 |

Technical aspects may change without notice.

Candela



Iso-illuminance: Ground Flood, MH 1' off-ground

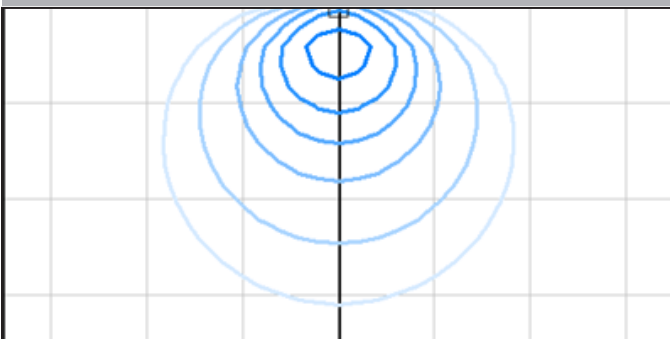


Foot-candles: 0.1, 0.2, 0.5, 1, 2, 5, 10, 20 | Grid spacing 5'

Zonal Lumens

| LCS | Zone | Lumens | %Lum. |
|-------|-----------|--------|-------|
| FL | (0-30) | 5.6 | 1.9 |
| FM | (30-60) | 66.0 | 22.2 |
| FH | (60-80) | 104.6 | 35.2 |
| FVH | (80-90) | 51.8 | 17.4 |
| BL | (0-30) | 0.9 | 0.3 |
| BM | (30-60) | 0.6 | 0.2 |
| BH | (60-80) | 0.1 | 0.0 |
| BVH | (80-90) | 0.05 | 0.0 |
| UL | (90-100) | 37.7 | 12.7 |
| UH | (100-180) | 29.9 | 10.1 |
| Total | | 297 | 100 |

Iso-illuminance: Ground Flood, MH 2' off-ground



Foot-candles: 0.1, 0.2, 0.5, 1, 2, 5 | Grid spacing 5'

Iso-illuminance: Ground Flood, MH 4' off-ground

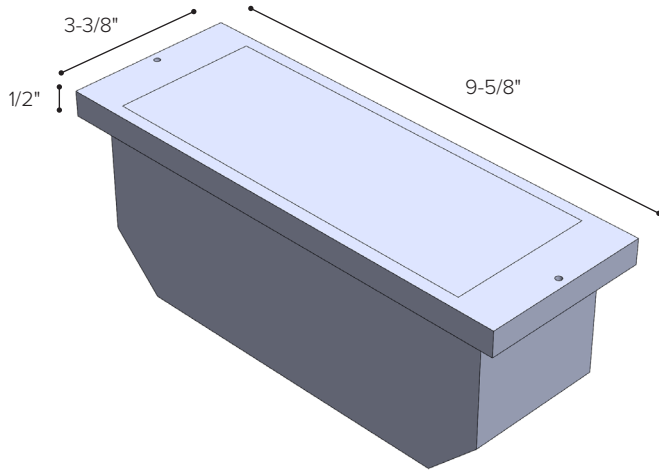


Foot-candles: 0.1, 0.2, 0.5, 1 | Grid spacing 5'

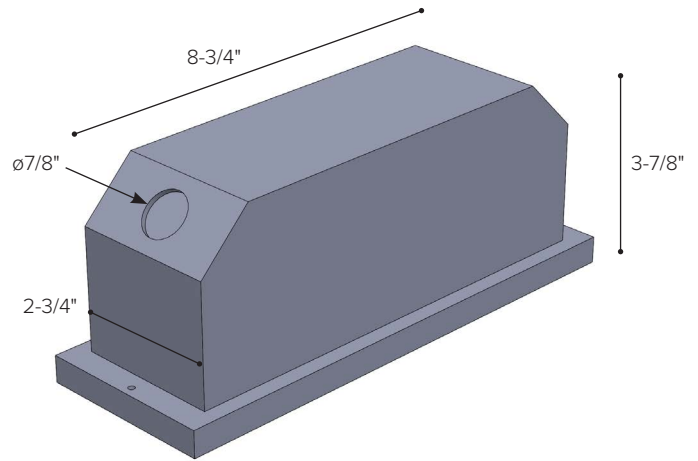
LUMUX

HOUSING & POUR BOX DIMENSIONS SL600 SERIES

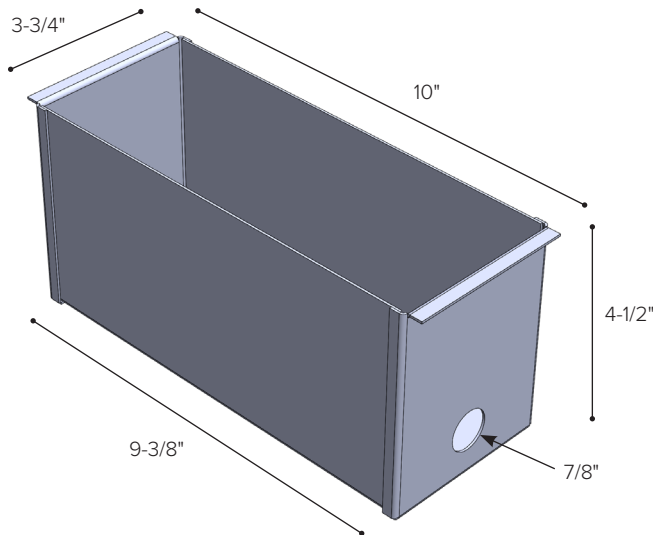
DATE: _____
PROJECT: _____
FIRM: _____
CATALOG NO.: _____
COMMENTS: _____



Luminaire Housing - Top View



Luminaire Housing - Bottom View



Concrete Pour Box

Content of specification sheet subject to change

LUMUX

LUMINAIRES IN THIS COLLECTION

SL600 SERIES DIFFUSER & LOUVER OPTIONS



SL600SS stainless steel faceplate
impact-resistant glass diffuser



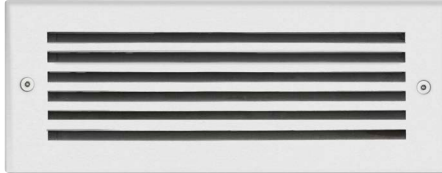
SL600 powdercoated faceplate
impact-resistant glass diffuser



SL630SS stainless steel faceplate
flat grill over impact-resistant glass diffuser



SL630 powdercoated faceplate
flat grill over impact-resistant glass diffuser



SL632SS stainless steel faceplate
fine grill with angled louvers



SL632 powdercoated faceplate
grill featuring angled louvers



SL640SS stainless steel faceplate
window grill over impact-resistant glass diffuser



SL650 powdercoated faceplate
glare-hood over impact-resistant glass diffuser



SL632V powdercoated faceplate
SL632VSS stainless steel faceplate
angled louvers for vertical installation

Content of specification sheet subject to change