

# LUMUX

## STEP LIGHT

SL640

DATE: \_\_\_\_\_  
PROJECT: \_\_\_\_\_  
FIRM: \_\_\_\_\_  
CATALOG NO.: \_\_\_\_\_  
COMMENTS: \_\_\_\_\_



**SL640SS** stainless steel faceplate window grill over impact-resistant glass diffuser



**SL640** powder coated faceplate window grill over impact-resistant glass diffuser

**SL640** from Lumux is an elegant architectural window pane step light, precision engineered for durability and performance.

SL640 offers a distinctively contemporary, minimalist design. Ideal for illuminating steps, facades, and walls, SL640 is a powerful outdoor LED solution. SL600 Series step lights are energy-efficient for long-lasting indoor and outdoor applications. The SL600 Series features models with clear woven frost-glass diffusers, protective grills, or glare-hoods to shield the light source.

up to  
**330** lm

**9**W

up to  
**40** lm/W

LUMUX LIGHTING

7803 Industry Ave, Pico Rivera, CA 90660  
sales@lumux.com | 562-801-5100

Content of specification sheet subject to change

# LUMUX

## STEP LIGHT SL640

SL640 is an elegant step and wall light with a windowpane design and many color options, perfect for campus, resort and residential use.

### Ordering Guide

Catalog No.	LED Color	Color Temp <sup>1</sup>	Voltage	Finish	Options <sup>2</sup>
SL640	White	2700K	120-277v	Stainless Steel	<input type="checkbox"/> 0-10v Dimming <input type="checkbox"/> Concrete pour box
	Amber-TF	3000K		Black	
	Amber	3500K		White	
	Red	4000K		Silver	
	Green			Bronze	
	Blue			Custom RAL <sup>2</sup>	

<sup>1</sup>Consult factory for additional options

<sup>2</sup>Consult factory for additional pricing

Catalog No.: \_\_\_\_\_

Performance Specifications	
Flux 330 lm (4000K)	LER 40 lm/W
Power 9W	120-277v input voltage
Starting temp. rated to -20°F	Constant Current
Dimmable driver (0-10v) option	
Lumen Maintenance*: L70 >100K hrs	

Environmental Specifications	
BUG rating: B0-U3-G1	
CRI 80	Color temperature options
IP65	ETL listed for wet-locations
Effective Projected Area n/a	Marine Grade option
5-year limited warranty	Made in the USA

### Delivered Lumens & Wattage per color temperature:

	2700K	3000K	3500K	4000K	WATTS
SL640	300 lm	320 lm	330 lm	330 lm	9W

For higher lumen packages, please consult the Lumux sales team.

**Housing:** SL640 features a stainless steel or powder-coated faceplate mounted to a diecast aluminum housing with vandal-resistant stainless steel screws.

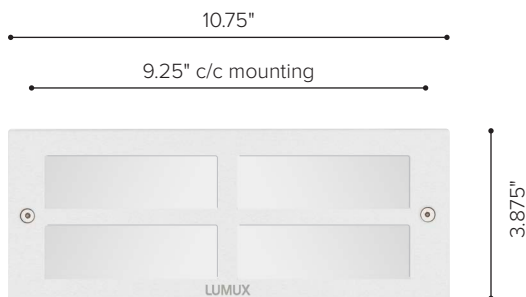
**Lens:** Sealed one-piece shatter-proof frosted glass diffuser.

**Gasket:** Closed-cell silicone foam gasket that seals out moisture, dust, and insects, for weather tight operation.

**Mounting:** Recessed, with optional concrete pour-box.

**Installation:** Please refer to installation instructions.

**Finish:** Zinc-polyester powder coat finish in black, white, silver, bronze, or any custom RAL color. Consult factory for marine grade or anti-microbial finish.



**SL640SS stainless steel faceplate**  
window grill over impact-resistant glass diffuser



**SL640 powder coated faceplate**  
window grill over impact-resistant glass diffuser

### Dimensions & Options

\*Lumen Maintenance Report: Forzlux  
Test Documentation No.: BB12TB

Content of specification sheet subject to change

# LUMUX

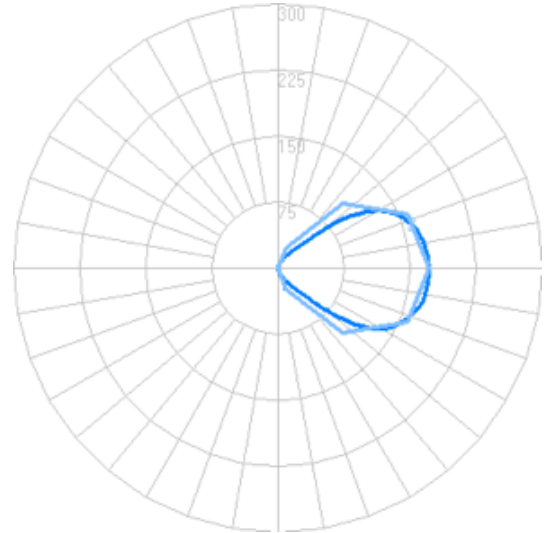
## STEP LIGHT SL640

DATE: \_\_\_\_\_  
 PROJECT: \_\_\_\_\_  
 FIRM: \_\_\_\_\_  
 CATALOG NO.: \_\_\_\_\_  
 COMMENTS: \_\_\_\_\_

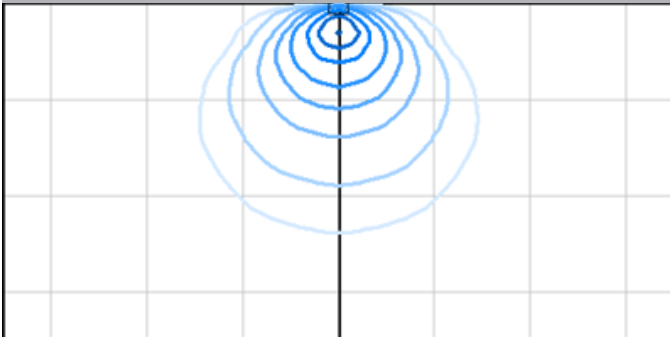
Photometry	IESNA: LM-63-2002
TEST: 1173030 (edited)	TEST LAB: UL Verification Svs.
LUMINAIRE: SL640	DATE: 2022-01-01
IES Classification: Type IV	Longitudinal Class: Very Short
Luminaire Lumens	334 (4000K)
Luminaire Efficacy Rating (LER)	40
Total Luminaire Watts	8.423W
Upward Waste Light Ratio	0.49
Max. Candela	171.9
Max. Cd. < 90° Vertical	171.9
Max. Cd. (At 90 Deg. Vert.)	171.9 (51.4% Luminaire)
Max. Cd. (80 to <90 Deg. Vert.)	171.9 (51.5% Luminaire)
Cutoff Classification: N.A.	BUG Rating: B0-U3-G1

Technical aspects may change without notice.

### Candela



### Iso-illuminance: Ground Flood, MH 1' off-ground

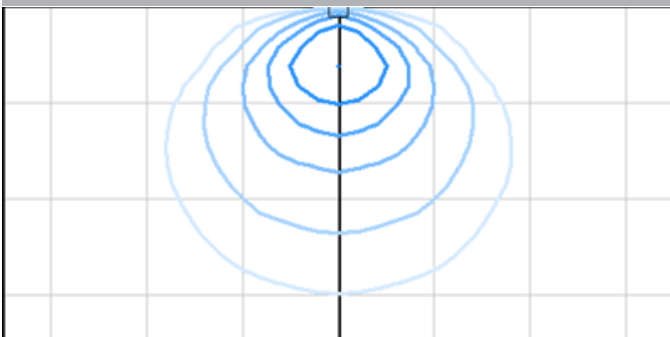


Foot-candles: 0.1, 0.2, 0.5, 1, 2, 5, 10 | Grid spacing 5'

### Zonal Lumens

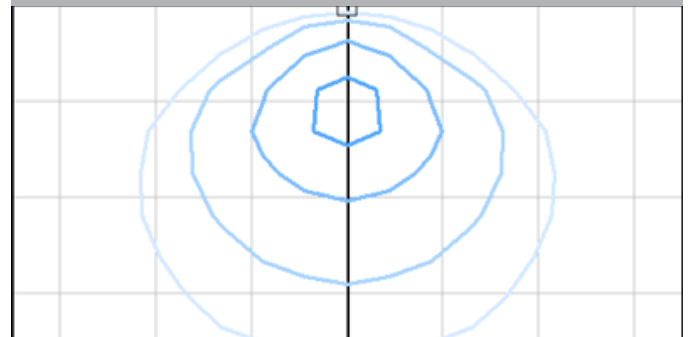
LCS	Zone	Lumens	%Lum.
FL	(0-30)	1.4	0.4
FM	(30-60)	34.4	10.3
FH	(60-80)	84.0	25.1
FVH	(80-90)	50.7	15.2
BL	(0-30)	0.0	0.0
BM	(30-60)	0.0	0.0
BH	(60-80)	0.05	0.0
BVH	(80-90)	0.05	00.0
UL	(90-100)	50.6	15.1
UH	(100-180)	113.0	33.8
Total		334	100

### Iso-illuminance: Ground Flood, MH 2' off-ground



Foot-candles: 0.1, 0.2, 0.5, 1, 2 | Grid spacing 5'

### Iso-illuminance: Ground Flood, MH 4' off-ground



Foot-candles: 0.1, 0.2, 0.5, 1 | Grid spacing 5'

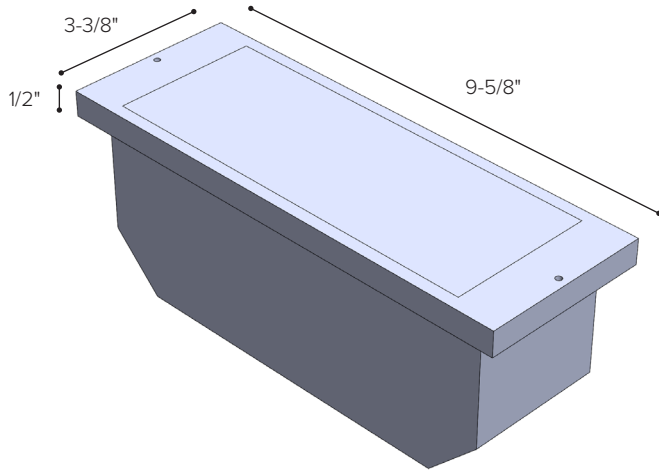
Content of specification sheet subject to change

# LUMUX

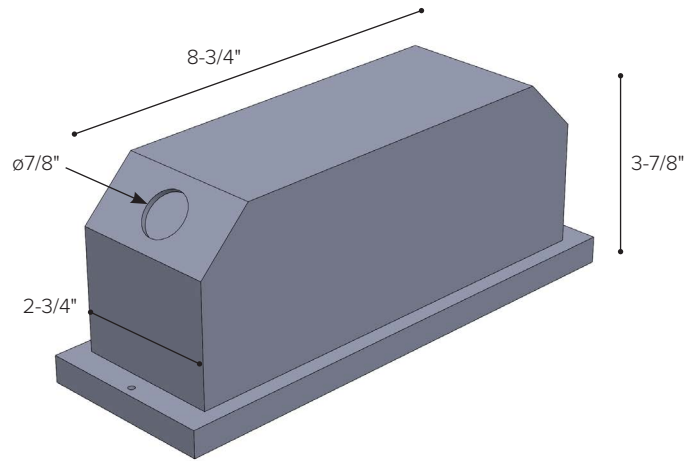
## HOUSING & POUR BOX DIMENSIONS

### SL600 SERIES

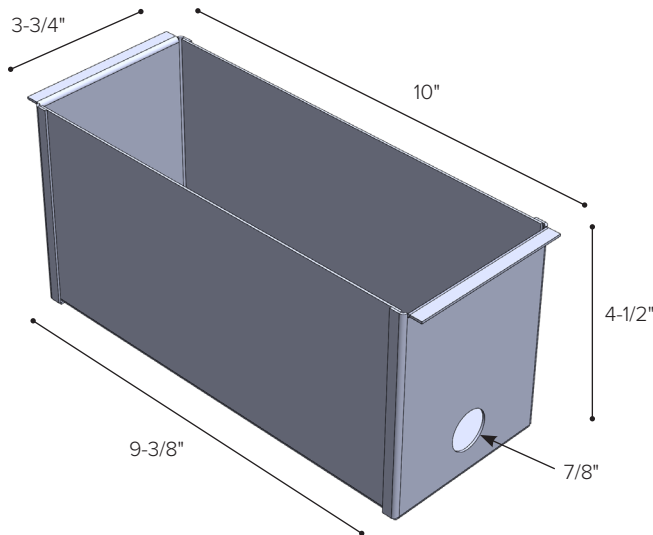
DATE: \_\_\_\_\_  
PROJECT: \_\_\_\_\_  
FIRM: \_\_\_\_\_  
CATALOG NO.: \_\_\_\_\_  
COMMENTS: \_\_\_\_\_



Luminaire Housing - Top View



Luminaire Housing - Bottom View



Concrete Pour Box

Content of specification sheet subject to change

# LUMUX

## LUMINAIRES IN THIS COLLECTION

### SL600 SERIES DIFFUSER & LOUVER OPTIONS



**SL600SS** stainless steel faceplate  
impact-resistant glass diffuser



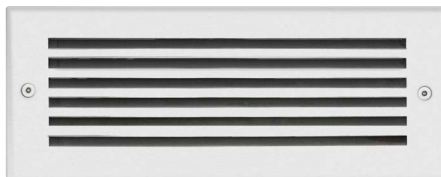
**SL600** powdercoated faceplate  
impact-resistant glass diffuser



**SL630SS** stainless steel faceplate  
flat grill over impact-resistant glass diffuser



**SL630** powdercoated faceplate  
flat grill over impact-resistant glass diffuser



**SL632SS** stainless steel faceplate  
fine grill with angled louvers



**SL632** powdercoated faceplate  
grill featuring angled louvers



**SL640SS** stainless steel faceplate  
window grill over impact-resistant glass diffuser



**SL650** powdercoated faceplate  
glare-hood over impact-resistant glass diffuser



**SL632V** powdercoated faceplate  
**SL632VSS** stainless steel faceplate  
angled louvers for vertical installation