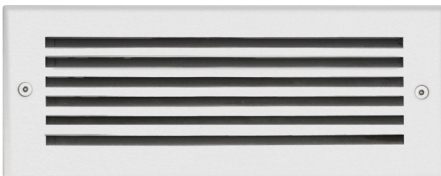


# LUMUX

## STEP LIGHT

SL632

DATE: \_\_\_\_\_  
PROJECT: \_\_\_\_\_  
FIRM: \_\_\_\_\_  
CATALOG NO.: \_\_\_\_\_  
COMMENTS: \_\_\_\_\_



**SL632SS** stainless steel faceplate  
fine grill with angled louvers



**SL632** powdercoated faceplate  
grill featuring angled louvers

**SL632 from Lumux is an elegant architectural grill aperture step light, precision engineered for durability and performance.**

SL632 offers a distinctively contemporary, minimalist design. Ideal for illuminating steps, facades, and walls, SL632 is a powerful outdoor LED solution. SL600 Series step lights are energy-efficient for long-lasting indoor and outdoor applications. The SL600 Series features models with clear woven frost-glass diffusers, protective grills, or glare-hoods to shield the light source.

up to  
**135** lm

**9**w

up to  
**16** lm/W

# LUMUX

## STEP LIGHT SL632

SL632 is an elegant step and wall light with a modern design and faceplate finish options, perfect for campus, resort and residential use.

### Ordering Guide

Catalog No.	LED Color	Color Temp <sup>1</sup>	Voltage	Finish	Options <sup>2</sup>
SL632	White	2700K	120-277v	Stainless Steel	<input type="checkbox"/> 0-10v Dimming <input type="checkbox"/> Concrete pour box
	Amber-TF	3000K		Black	
	Amber	3500K		White	
	Red	4000K		Silver	
	Green			Bronze	
	Blue			Custom RAL <sup>2</sup>	

<sup>1</sup>Consult factory for additional options

<sup>2</sup>Consult factory for additional pricing

Catalog No.: \_\_\_\_\_

Performance Specifications	
Flux 135 lm (4000K)	LER 16 lm/W
Power 9W	120-277v input voltage
Starting temp. rated to -20°F	Constant Current
Dimmable driver (0-10v) option	
Lumen Maintenance*: L70 >100K hrs	

Environmental Specifications	
BUG rating: B0-U3-G1	
CRI 80	Color temperature options
IP65	ETL listed for wet-locations
Effective Projected Area n/a	Marine Grade option
5-year limited warranty	Made in the USA

### Delivered Lumens & Wattage per color temperature:

	2700K	3000K	3500K	4000K	WATTS
SL630	125 lm	130 lm	135 lm	135 lm	9W

For higher lumen packages, please consult the Lumux sales team.

**Housing:** SL632 features a stainless steel or powder-coated faceplate grill mounted to a diecast aluminum housing with vandal-resistant stainless steel screws.

**Lens:** Sealed one-piece shatter-proof frosted glass diffuser.

**Gasket:** Closed-cell silicone foam gasket that seals out moisture, dust, and insects, for weather tight operation.

**Mounting:** Recessed, with optional concrete pour-box.

**Installation:** Please refer to installation instructions.

**Finish:** Zinc-polyester powder coat finish in black, white, silver, bronze, or any custom RAL color. Consult factory for marine grade or anti-microbial finish.



**SL632SS** stainless steel faceplate  
fine grill with angled louvers



**SL632** powdercoated faceplate  
grill featuring angled louvers

### Dimensions & Options

\*Lumen Maintenance Report: Forzlux  
Test Documentation No.: BB12TB

Content of specification sheet subject to change

# LUMUX

## STEP LIGHT SL632

DATE: \_\_\_\_\_  
 PROJECT: \_\_\_\_\_  
 FIRM: \_\_\_\_\_  
 CATALOG NO.: \_\_\_\_\_  
 COMMENTS: \_\_\_\_\_

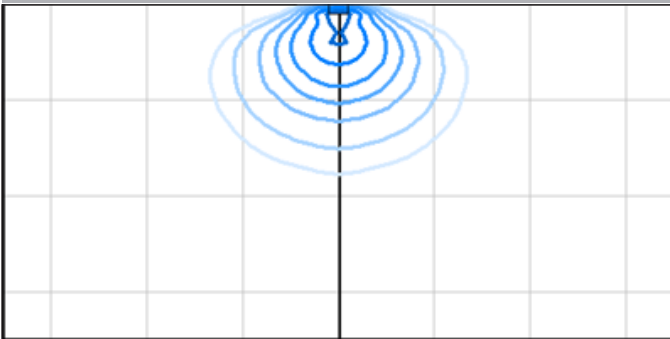
Photometry	IESNA: LM-63-2002
TEST: 14165719.02	TEST LAB: UL LLC
LUMINAIRE: SL632	DATE: 2022-01-20
IES Classification: Type IV	Longitudinal Class: Very Short
Luminaire Lumens	137 (4000K)
Luminaire Efficacy Rating (LER)	16
Total Luminaire Watts	8.644W
Upward Waste Light Ratio	0.03
Max. Candela	176.9
Max. Cd. < 90° Vertical	176.9
Max. Cd. (At 90 Deg. Vert.)	17.5 (12.8% Luminaire)
Max. Cd. (80 to <90 Deg. Vert.)	131.1 (95.7% Luminaire)
Cutoff Classification: N.A.	BUG Rating: B0-U1-G1

Technical aspects may change without notice.

### Candela



### Iso-illuminance: Ground Flood, MH 1' off-ground

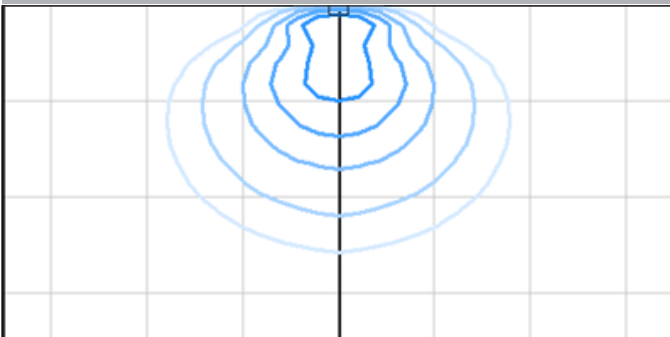


Foot-candles: 0.1, 0.2, 0.5, 1, 2, 5, 10 | Grid spacing 5'

### Zonal Lumens

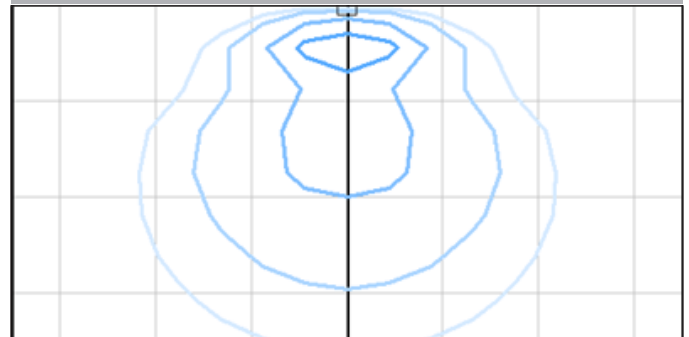
LCS	Zone	Lumens	%Lum.
FL	(0-30)	1.4	1.1
FM	(30-60)	32.3	23.6
FH	(60-80)	78.1	57.0
FVH	(80-90)	21.0	15.3
BL	(0-30)	0.05	0.0
BM	(30-60)	0.05	0.0
BH	(60-80)	0.1	0.1
BVH	(80-90)	0.05	0.0
UL	(90-100)	3.2	2.3
UH	(100-180)	0.9	0.7
Total		137	100

### Iso-illuminance: Ground Flood, MH 2' off-ground



Foot-candles: 0.1, 0.2, 0.5, 1, 2 | Grid spacing 5'

### Iso-illuminance: Ground Flood, MH 4' off-ground

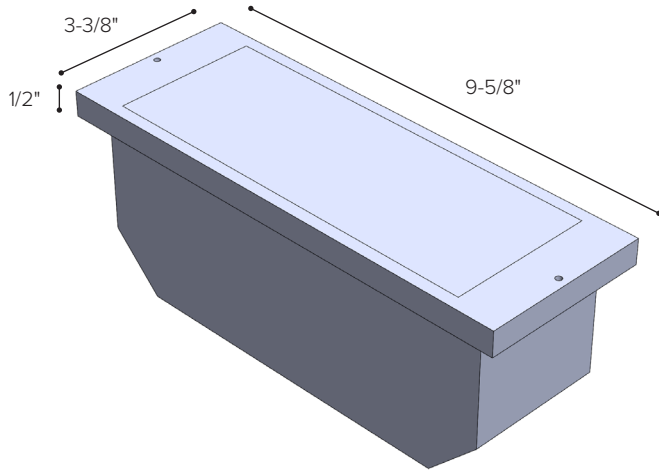


Foot-candles: 0.1, 0.2, 0.5, 1 | Grid spacing 5'

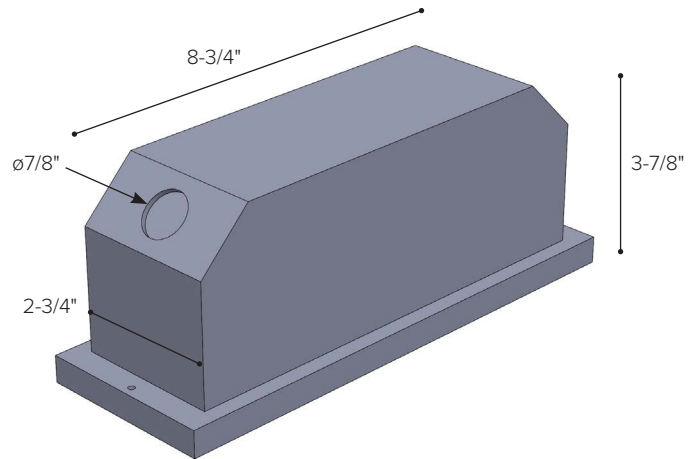
# LUMUX

## HOUSING & POUR BOX DIMENSIONS SL600 SERIES

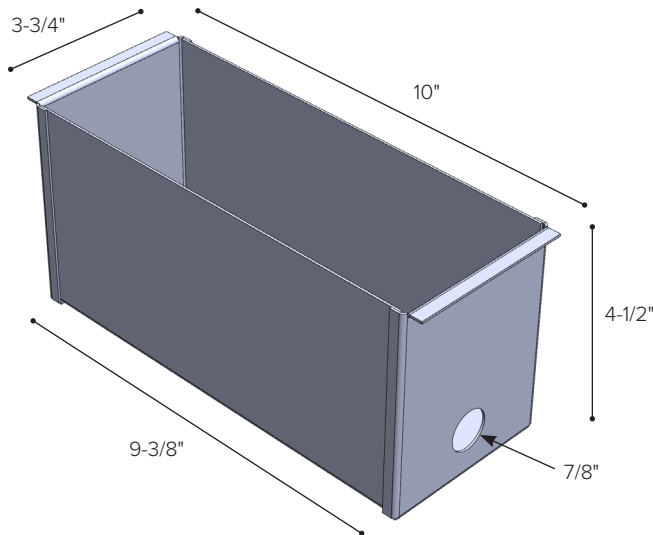
DATE: \_\_\_\_\_  
PROJECT: \_\_\_\_\_  
FIRM: \_\_\_\_\_  
CATALOG NO.: \_\_\_\_\_  
COMMENTS: \_\_\_\_\_



Luminaire Housing - Top View



Luminaire Housing - Bottom View



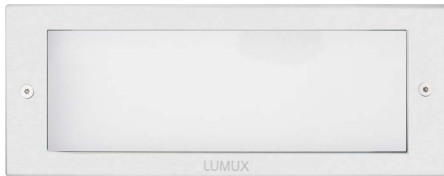
Concrete Pour Box

Content of specification sheet subject to change

# LUMUX

## LUMINAIRES IN THIS COLLECTION

### SL600 SERIES DIFFUSER & LOUVER OPTIONS



**SL600SS** stainless steel faceplate  
impact-resistant glass diffuser



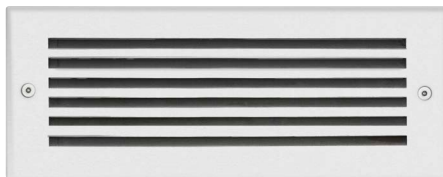
**SL600** powdercoated faceplate  
impact-resistant glass diffuser



**SL630SS** stainless steel faceplate  
flat grill over impact-resistant glass diffuser



**SL630** powdercoated faceplate  
flat grill over impact-resistant glass diffuser



**SL632SS** stainless steel faceplate  
fine grill with angled louvers



**SL632** powdercoated faceplate  
grill featuring angled louvers



**SL640SS** stainless steel faceplate  
window grill over impact-resistant glass diffuser



**SL650** powdercoated faceplate  
glare-hood over impact-resistant glass diffuser



**SL632V** powdercoated faceplate  
**SL632VSS** stainless steel faceplate  
angled louvers for vertical installation