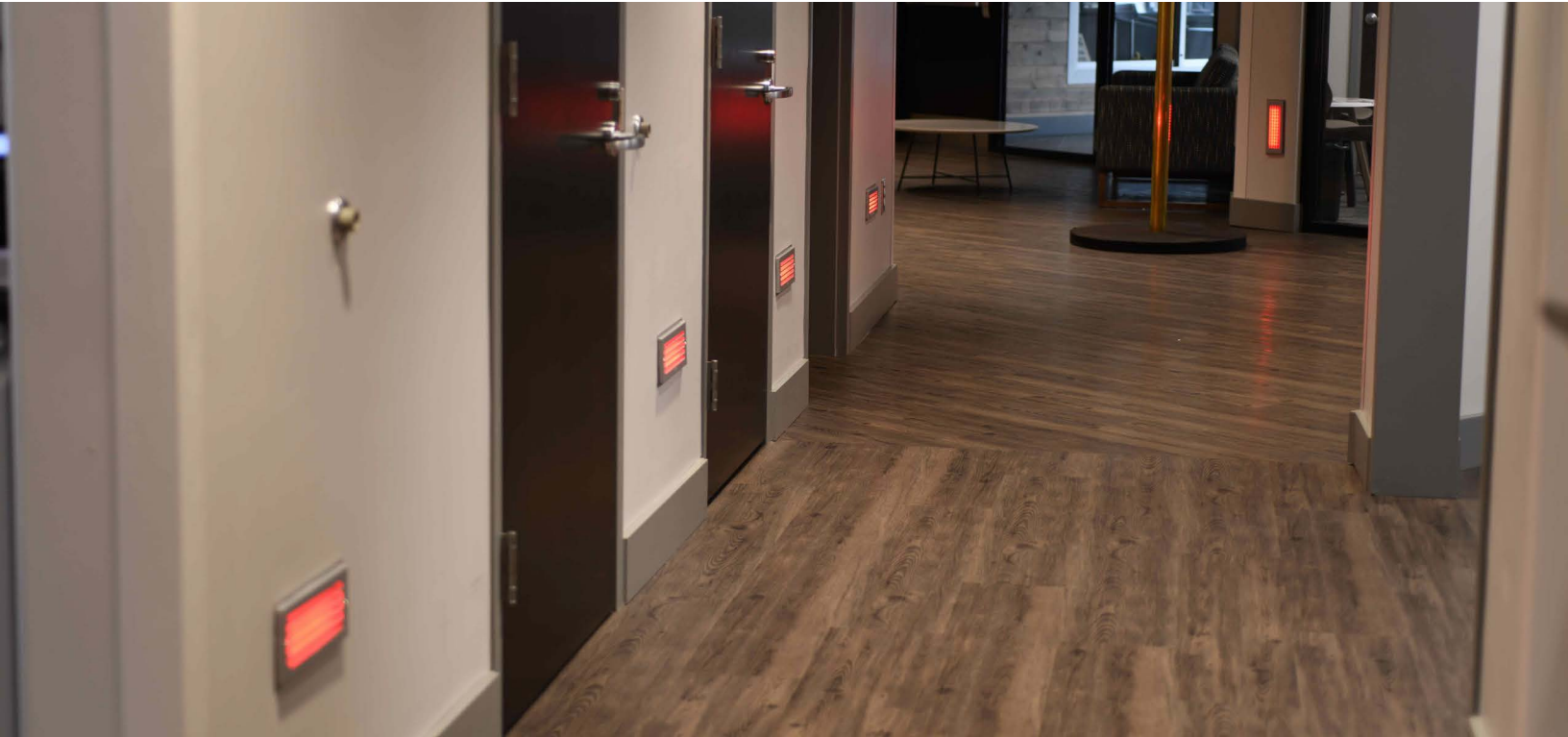


LUMUX

STEP LIGHT

SL630

DATE: _____
PROJECT: _____
FIRM: _____
CATALOG NO.: _____
COMMENTS: _____



SL630SS stainless steel faceplate
flat grill over impact-resistant glass diffuser



SL630 powdercoated faceplate
flat grill over impact-resistant glass diffuser

SL630 from Lumux is an elegant architectural grill aperture step light, precision engineered for durability and performance.

SL630 offers a distinctively contemporary, minimalist design. Ideal for illuminating steps, facades, and walls, SL630 is a powerful outdoor LED solution. SL600 Series step lights are energy-efficient for long-lasting indoor and outdoor applications. The SL600 Series features models with clear woven frost-glass diffusers, protective grills, or glare-hoods to shield the light source.

up to
180 lm

9w

up to
20 lm/W

LUMUX LIGHTING

7803 Industry Ave, Pico Rivera, CA 90660
sales@lumux.com | 562-801-5100

Content of specification sheet subject to change

LUMUX

STEP LIGHT SL630

SL630 is an elegant step and wall light with a modern design and faceplate finish options, perfect for campus, resort and residential use.

Ordering Guide

Catalog No.	LED Color	Color Temp ¹	Voltage	Finish	Options ²
SL630	White	2700K	120-277v	Stainless Steel	<input type="checkbox"/> 0-10v Dimming <input type="checkbox"/> Concrete pour box
	Amber-TF	3000K		Black	
	Amber	3500K		White	
	Red	4000K		Silver	
	Green			Bronze	
	Blue			Custom RAL ²	

¹Consult factory for additional options

²Consult factory for additional pricing

Catalog No.: _____

Performance Specifications	
Flux 180 lm (4000K)	LER 20 lm/W
Power 9W	120-277v input voltage
Starting temp. rated to -20°F	Constant Current
Dimmable driver (0-10v) option	
Lumen Maintenance*: L70 >100K hrs	

Environmental Specifications	
BUG rating: B0-U3-G1	
CRI 80	Color temperature options
IP65	ETL listed for wet-locations
Effective Projected Area n/a	Marine Grade option
5-year limited warranty	Made in the USA

Delivered Lumens & Wattage per color temperature:

	2700K	3000K	3500K	4000K	WATTS
SL630	170 lm	175 lm	180 lm	180 lm	9W

For higher lumen packages, please consult the Lumux sales team.

Housing: SL630 features a stainless steel or powder-coated faceplate grill mounted to a diecast aluminum housing with vandal-resistant stainless steel screws.

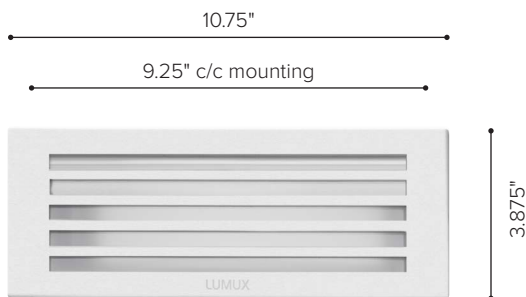
Lens: Sealed one-piece shatter-proof frosted glass diffuser.

Gasket: Closed-cell silicone foam gasket that seals out moisture, dust, and insects, for weather tight operation.

Mounting: Recessed, with optional concrete pour-box.

Installation: Please refer to installation instructions.

Finish: Zinc-polyester powder coat finish in black, white, silver, bronze, or any custom RAL color. Consult factory for marine grade or anti-microbial finish.



SL630SS stainless steel faceplate
flat grill over impact-resistant glass diffuser



SL630 powdercoated faceplate
flat grill over impact-resistant glass diffuser

Dimensions & Options

*Lumen Maintenance Report: Forzlux
Test Documentation No.: BB12TB

Content of specification sheet subject to change

LUMUX

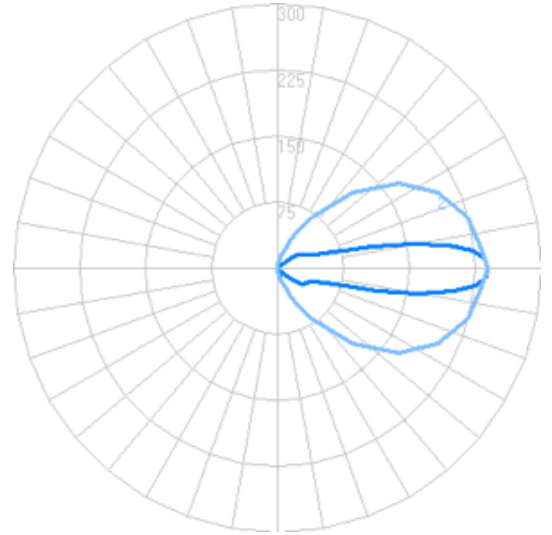
STEP LIGHT SL630

DATE: _____
 PROJECT: _____
 FIRM: _____
 CATALOG NO.: _____
 COMMENTS: _____

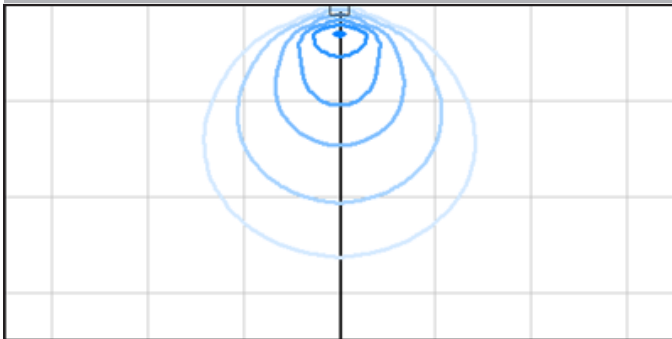
Photometry	IESNA: LM-63-2002
TEST: 14165719.01	TEST LAB: UL LLC
LUMINAIRE: SL630	DATE: 2022-01-20
IES Classification: Type IV	Longitudinal Class: Very Short
Luminaire Lumens	184 (4000K)
Luminaire Efficacy Rating (LER)	21
Total Luminaire Watts	8.640W
Upward Waste Light Ratio	0.48
Max. Candela	239.8
Max. Cd. < 90° Vertical	237.5
Max. Cd. (At 90 Deg. Vert.)	239.8 (51.4% Luminaire)
Max. Cd. (80 to <90 Deg. Vert.)	237.5(51.4% Luminaire)
Cutoff Classification: N.A.	BUG Rating: B0-U3-G1

Technical aspects may change without notice.

Candela



Iso-illuminance: Ground Flood, MH 1' off-ground

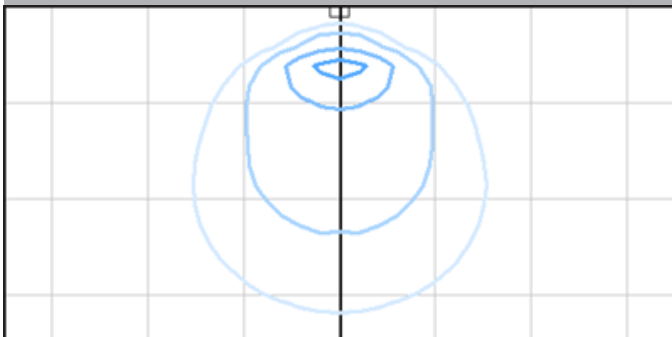


Foot-candles: 0.1, 0.2, 0.5, 1, 2 | Grid spacing 5'

Zonal Lumens

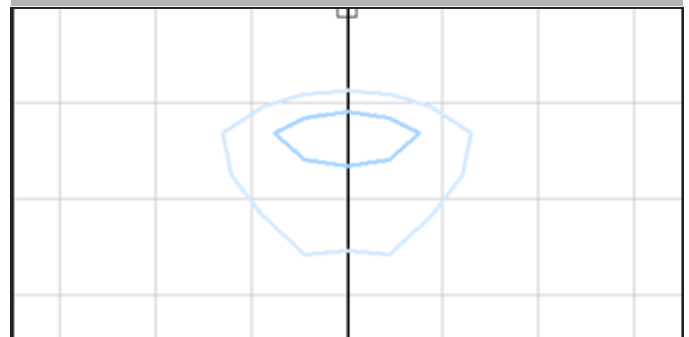
LCS	Zone	Lumens	%Lum.
FL	(0-30)	0.1	0.0
FM	(30-60)	5.4	2.9
FH	(60-80)	32.9	19.9
FVH	(80-90)	56.6	30.8
BL	(0-30)	0.05	0.0
BM	(30-60)	0.05	0.0
BH	(60-80)	0.1	0.1
BVH	(80-90)	0.1	0.0
UL	(90-100)	54.9	29.8
UH	(100-180)	33.7	18.3
Total		183.8	100

Iso-illuminance: Ground Flood, MH 2' off-ground



Foot-candles: 0.1, 0.2, 0.5, 1 | Grid spacing 5'

Iso-illuminance: Ground Flood, MH 4' off-ground



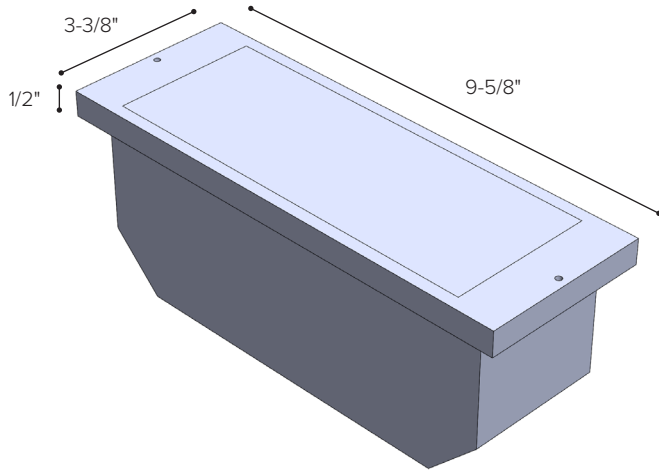
Foot-candles: 0.1, 0.2 | Grid spacing 5'

LUMUX

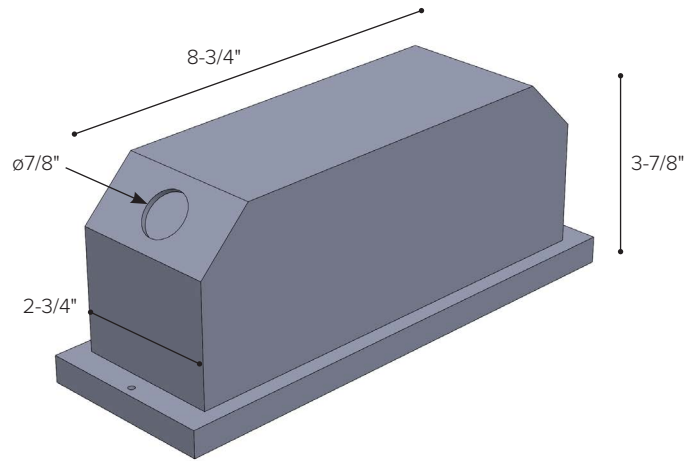
HOUSING & POUR BOX DIMENSIONS

SL600 SERIES

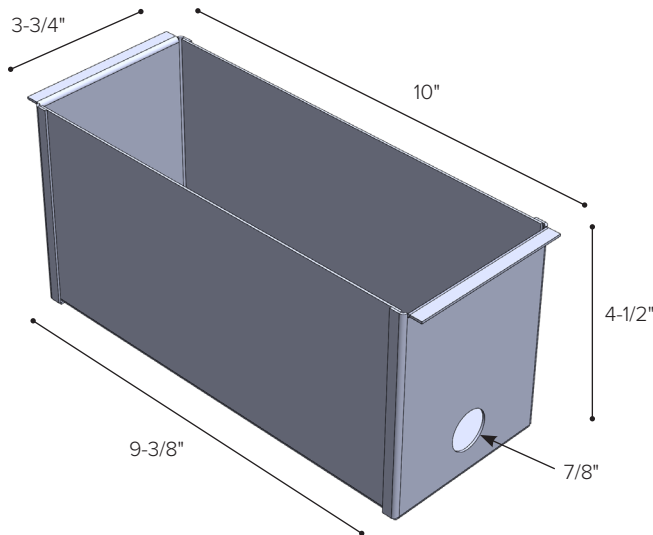
DATE: _____
PROJECT: _____
FIRM: _____
CATALOG NO.: _____
COMMENTS: _____



Luminaire Housing - Top View



Luminaire Housing - Bottom View



Concrete Pour Box

Content of specification sheet subject to change

LUMUX

LUMINAIRES IN THIS COLLECTION

SL600 SERIES DIFFUSER & LOUVER OPTIONS



SL600SS stainless steel faceplate
impact-resistant glass diffuser



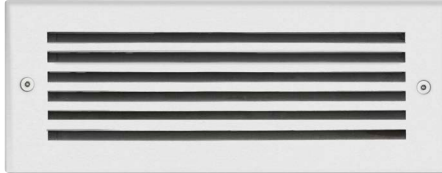
SL600 powdercoated faceplate
impact-resistant glass diffuser



SL630SS stainless steel faceplate
flat grill over impact-resistant glass diffuser



SL630 powdercoated faceplate
flat grill over impact-resistant glass diffuser



SL632SS stainless steel faceplate
fine grill with angled louvers



SL632 powdercoated faceplate
grill featuring angled louvers



SL640SS stainless steel faceplate
window grill over impact-resistant glass diffuser



SL650 powdercoated faceplate
glare-hood over impact-resistant glass diffuser



SL632V powdercoated faceplate
SL632VSS stainless steel faceplate
angled louvers for vertical installation

Content of specification sheet subject to change