

# LUMUX

## STEP LIGHT SL450SS

DATE: \_\_\_\_\_  
PROJECT: \_\_\_\_\_  
FIRM: \_\_\_\_\_  
CATALOG NO.: \_\_\_\_\_  
COMMENTS: \_\_\_\_\_



SL450SS from Lumux is an elegant architectural step light featuring a precision engineered stainless steel faceplate for durability and performance.

SL450SS offers a distinctively contemporary, minimalist design. Ideal for illuminating steps, facades, and walls, SL450SS is a powerful outdoor LED solution. SL400 Series step lights are energy-efficient for long-lasting indoor and outdoor applications, recessed mounted with a CPX housing for wall, masonry, or concrete installation. Part of the collection that includes SL400SS, SL410SS and SL420SS. Constant Current or 12V DC options.

up to  
**140** lm

**4** w

up to  
**35** lm/W

# LUMUX

## STEP LIGHT SL450SS

SL450SS is an elegant step and wall accent light with a distinct light aperture, perfect for commercial, campus, resort and residential use.

### Ordering Guide

Catalog No.	LED Color	Color Temp <sup>1</sup>	Voltage	Finish <sup>2</sup>	Options <sup>2</sup>
SL450SS	White	2700K	120-277v	Stainless Steel	<input type="checkbox"/> 0-10v Dimming <input type="checkbox"/> 12V DC
	Amber-TFA	3000K		Black	
	Red	3500K		White	
	Green	4000K		Silver	
	Blue			Bronze	
			Custom RAL <sup>2</sup>		

<sup>1</sup>Consult factory for additional options

<sup>2</sup>Consult factory for additional pricing for powdercoat finishes

Catalog No.: \_\_\_\_\_

Performance Specifications	
Flux 140 lm (4000K)	LER 35 lm/W
Power 4W	120-277v input voltage
Starting temp. rated to -20°F	Constant Current standard
Dimmable driver (0-10v) option	12V DC optional
Lumen Maintenance*: L70 100K hrs	

Environmental Specifications	
BUG rating: per orientation	TFA turtle-friendly amber option
CRI 80	Color temperature options
IP65	ETL listed for wet-locations
Effective Projected Area n/a	Marine Grade option
5-year limited warranty	Made in the USA

### Delivered Lumens & Wattage per color temperature:

	2700K	3000K	3500K	4000K	WATTS
SL420SS	120 lm	130 lm	140 lm	140 lm	4W

For higher lumen packages, please consult the Lumux sales team.

**TFA turtle-friendly amber light** provides 45 lumens at 2.3W.

**Housing:** SL420SS features a stainless steel faceplate with a distinct light aperture, mounted to a diecast low-copper aluminum housing with vandal-resistant stainless steel screws.

**Lens:** Sealed one-piece shatter-proof frosted glass diffuser.

**Gasket:** Closed-cell silicone foam gasket that seals out moisture, dust, and insects, for weather tight operation.

**Mounting:** Surface-mounted or recessed, with the housing acting as the concrete pour-box.

**Installation:** Please refer to installation instructions.

**Finish:** Stainless steel, with optional zinc-polyester powdercoat finish in black, white, silver, bronze, or any custom RAL color. Consult factory for marine grade or anti-microbial finish.



### Dimensions

\*Lumen Maintenance Report: Forzlux BB03AA

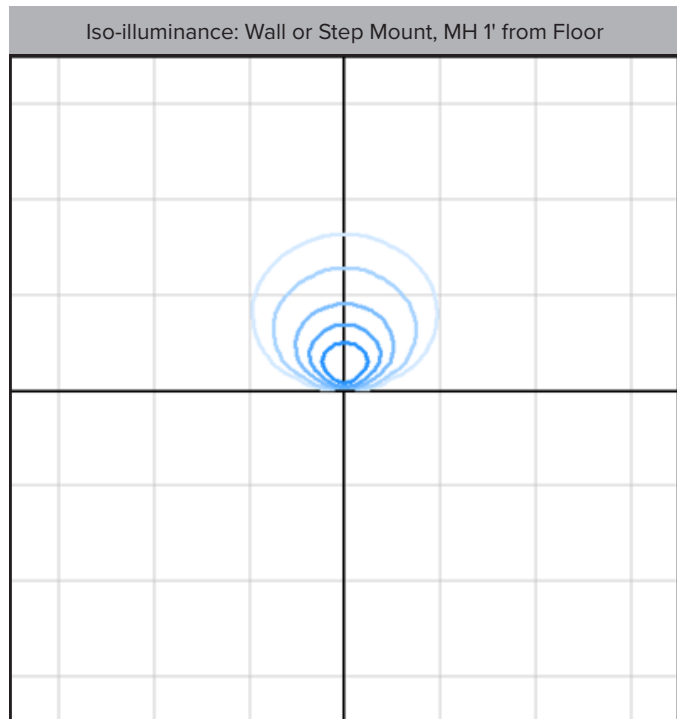
Content of specification sheet subject to change

# LUMUX

## STEP LIGHT SL450SS (DOWNLIGHT ORIENTATION)

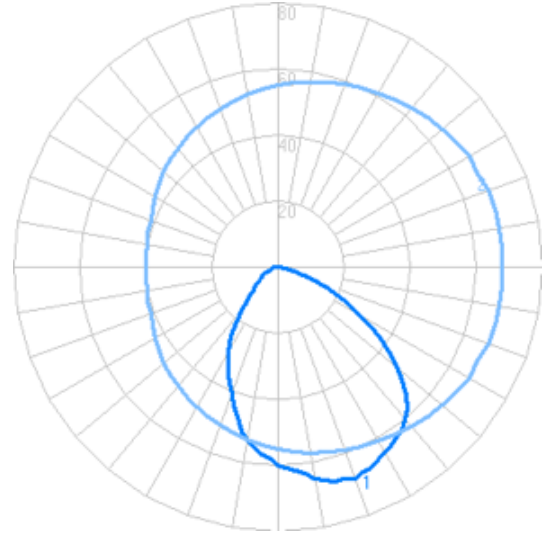
Photometry	IESNA: LM-63-2002
TEST: L102310204	TEST LAB: Light Laboratory Inc.
LUMINAIRE: SL450SS	DATE: 2023-10-04
IES Classification: Type VS	Longitudinal Class: Very Short
Luminaire Lumens	137 (4000K)
Luminaire Efficacy Rating (LER)	35
Total Luminaire Watts	3.88W
Upward Waste Light Ratio	0.00
Max. Candela	68
Max. Cd. < 90° Vertical	68
Max. Cd. (At 90 Deg. Vert.)	0 (0.0% Luminaire)
Max. Cd. (80 to <90 Deg. Vert.)	2 (1.5% Luminaire)
Cutoff Classification: N.A.	BUG Rating: B0-U0-G0

Technical aspects may change without notice.



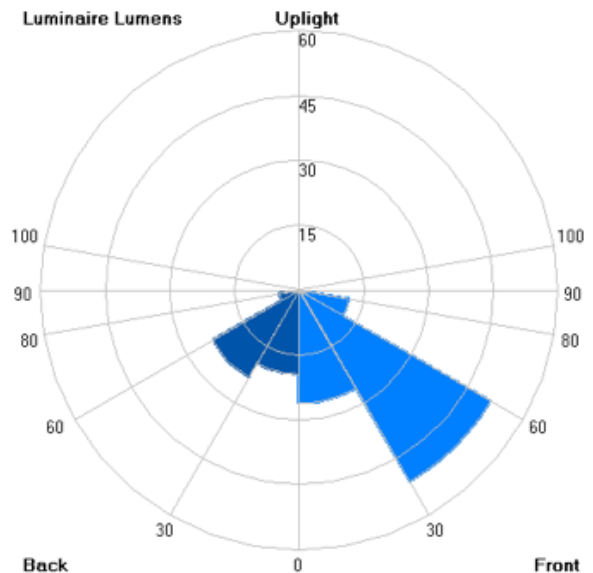
Foot-candles: 0.1, 0.2, 0.5, 1, 2 | Grid spacing 5'

### Candela



### Zonal Lumens

LCS	Zone	Lumens	%Lum.
FL	(0-30)	26.2	19.1
FM	(30-60)	51.1	37.3
FH	(60-80)	11.7	8.5
FVH	(80-90)	0.4	0.3
BL	(0-30)	19.4	14.2
BM	(30-60)	23.2	16.9
BH	(60-80)	4.7	3.4
BVH	(80-90)	0.4	0.3
UL	(90-100)	0.0	0.0
UH	(100-180)	0.0	0.0
Total		137	100



Back 0 Front

Content of specification sheet subject to change

LUMUX LIGHTING

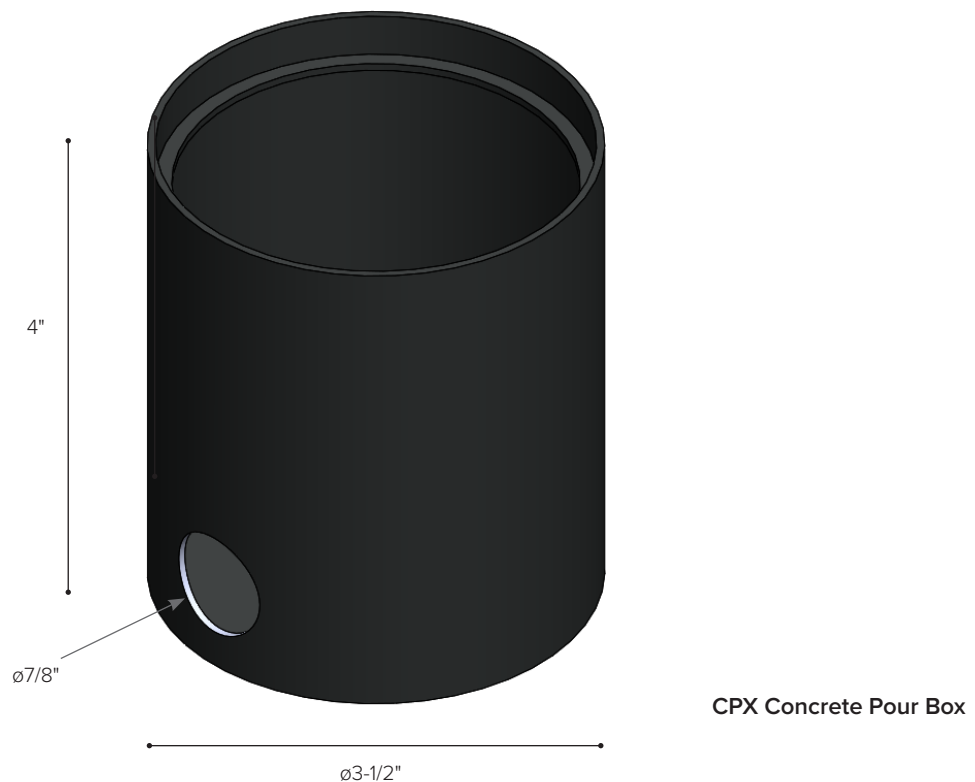
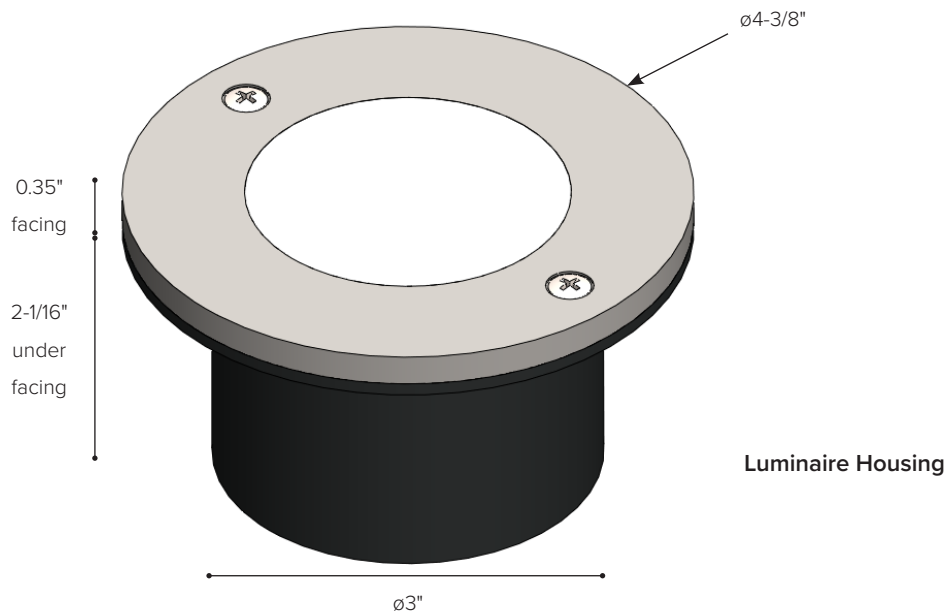
Sample isoilluminance plots. For actual values, use Lumux IES file with photometry software and correct surface reflectances.

7803 Industry Ave, Pico Rivera, CA 90660  
sales@lumux.com | 562-801-5100

# LUMUX

## HOUSING & CPX CONCRETE POUR BOX DIMENSIONS

SL400SS SERIES



Content of specification sheet subject to change

# LUMUX

## LUMINAIRES IN THIS COLLECTION

---



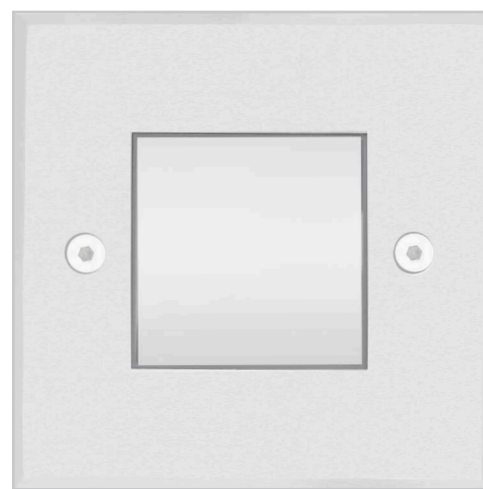
**SL400SS**



**SL420SS**



**SL450SS**



**SL410SS**