

LUMUX

POST TOP

PT1200

DATE: _____
PROJECT: _____
FIRM: _____
CATALOG NO: _____
COMMENTS: _____



The PT1200 pole top luminaire features broad area lighting coverage, with a classic look that excels at defining spaces day and at night.

Ideal for illuminating paths, drives, and plazas. PT1200 is a powerful LED solution with optional 0-10v dimming, energy-efficient for long-lasting outdoor applications. An upper aluminum reflector directs light for wide area coverage. PT1200 is constructed from heavy-duty diecast aluminum, providing durability that meets the highest standards. Part of the Lumux area lighting collection, PT1200 is also offered as a wall mount, and is flexible in application.

up to **2150** lm **40** w up to **55** lm/W

Content of specification sheet subject to change

LUMUX

POST TOP PT1200

PT1200 is area lighting with a classic design, with wall mount and post top mounting options up to 20' high, and broad light distribution.

Ordering Guide

Catalog No.	Wattage	LED Color	Color Temp ¹	Voltage	Finish	Options ²
PT1200	40W	White	2700K	120-277v	Black	<input type="checkbox"/> 0-10v Dimming <input type="checkbox"/> Photozell <input type="checkbox"/> Occupancy Sensor <input type="checkbox"/> Integral Battery Pack <input type="checkbox"/> GFCI Dual Receptacle
			3000K		White	
			3500K		Silver	
			4000K		Bronze	
					Custom RAL ²	

¹Consult factory for additional options

²Consult factory for additional pricing

Catalog No.: _____

Performance Specifications	
Flux up to 2150 lm	LER up to 55 lm/W
Power up to 40W	120-277v input voltage
Starting temp. rated to -20°F	Photocell & Sensor options
0-10v Dimming driver option	Integral Battery Pack option
Lumen Maintenance*: L70 >100K hrs	GFCI Dual Receptacle option

Environmental Specifications	
BUG rating: B1-U3-G2	Broad Area Coverage
CRI 80	Color temperature options
IP65	ETL listed for wet-locations
Luminaire EPA: 5 sq.ft.	Marine Grade option
5-year limited warranty	Made in the USA

Delivered Lumens & Wattage per color temperature:

	2700K	3000K	3500K	4000K	WATTS
PT1200	1450 lm	1650 lm	1900 lm	2150 lm	40W

For higher lumen packages, please consult the Lumux sales team.

Housing: Heavy-duty construction of corrosion resistant low-copper diecast aluminum, fastened with vandal resistant stainless-steel screws.

Lens: Sealed one-piece, shatter-proof, UV-rated polycarbonate.

Gasket: Closed-cell silicone foam gasket seals out moisture, dust, and insects, for weather-tight operation. IP65 and ETL listed for wet locations.

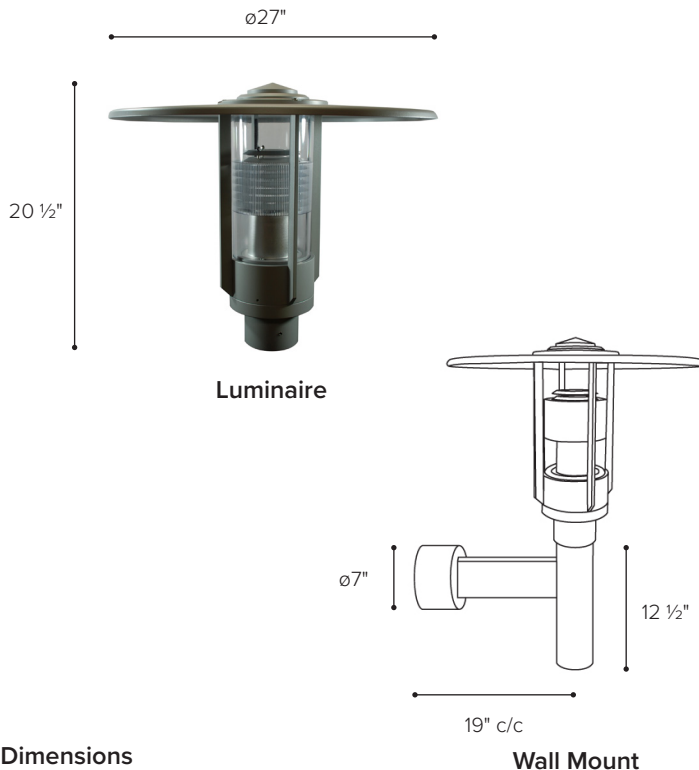
Mounting: Unit is provided as a post top or with a wall mount bracket. The tenon size for the pole is 4 1/8" in diameter and 3 1/4" in depth. Secure pole with galvanized anchor bolts to contractor installed concrete footing.

Installation: Please refer to installation instructions.

Finish: Zinc polyester powder coat finish in black, white, silver, bronze, or any custom RAL color. Consult factory for marine grade or anti-microbial finish.

Light Engine: Constant Current driver powering high quality LEDs, with optional 0-10v dimming.

Integral Battery Pack: Optional 10W IBP integral emergency battery pack provides 1,000 lumens with a 90 minute battery life.



Dimensions

*Lumen Maintenance Report: Forzlux BB10TW Series

Content of specification sheet subject to change

LUMUX

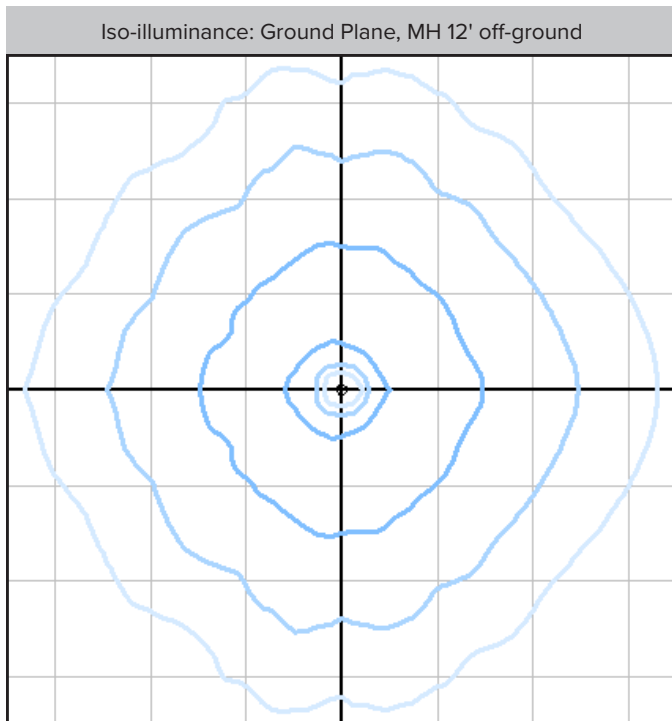
POST TOP

PL1200



Photometry	IESNA: LM-63-2002
TEST: 13387604.01	TEST LAB: UL Verification Svcs.
LUMINAIRE: PT1200	DATE: 2020-06-17
IES Classification: Type VS	Longitudinal Class: Medium
Luminaire Lumens	2161
Luminaire Efficacy Rating (LER)	55
Total Luminaire Watts	39.4113
Upward Waste Light Ratio	0.29
Max. Candela	407.5 (102.5H, 70V)
Max. Cd. < 90° Vertical	407.5 (102.5H, 70V)
Max. Cd. (At 90 Deg. Vert.)	308.6 (14.3% Luminaire)
Max. Cd. (80 to <90 Deg. Vert.)	342.1 (15.8% Luminaire)
Cutoff Classification: n/a	BUG Rating: B1-U3-G2

Technical aspects may change without notice.

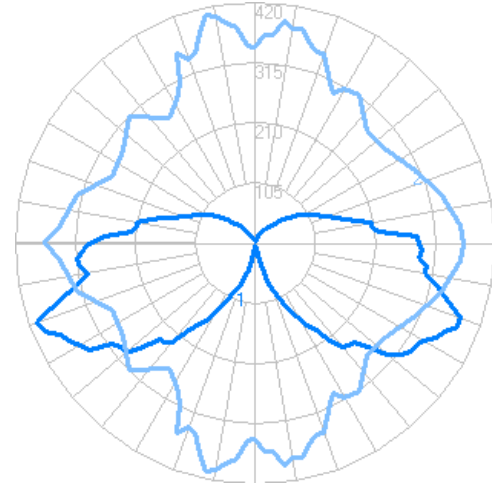


Iso-illuminance: Ground Plane, MH 12' off-ground

Foot-candles: 0.1, 0.2, 0.5, 1, 2, 5 | Grid spacing 10'

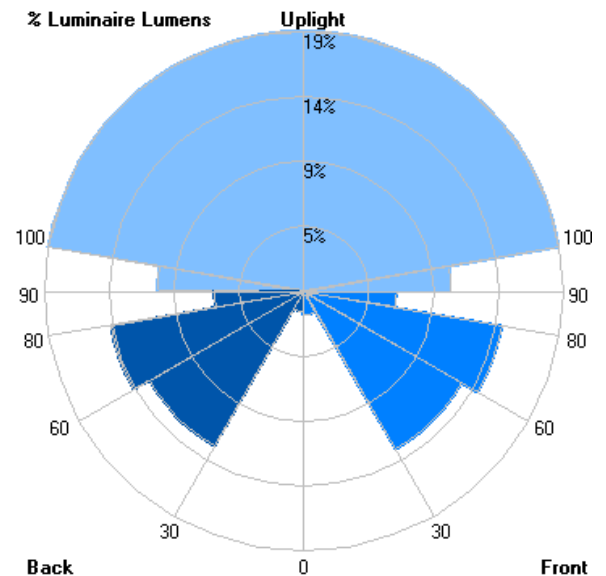
Sample isoilluminance plots. For precise values, use Lumux IES file with photometry software and correct surface reflectances.

Candela



Zonal Lumens

LCS	Zone	Lumens	%Lum.
FL	(0-30)	95.7	3.3
FM	(30-60)	715.3	24.9
FH	(60-80)	439.7	15.3
FVH	(80-90)	97.8	3.4
BL	(0-30)	95.7	3.3
BM	(30-60)	715.3	24.9
BH	(60-80)	439.7	15.3
BVH	(80-90)	97.8	3.4
UL	(90-100)	76.9	2.7
UH	(100-180)	99.5	3.5
Total		2873	100



Content of specification sheet subject to change

LUMUX

LUMINAIRES IN THE COLLECTION AREA LIGHTING & POST TOP LUMINAIRES



PT500SC
Post Top Mount



PT510SC
Post Top Mount



PT530SC
Post Top Mount



PT1200
Post Mount



PT500SC
Post or Wall Mount



PT510SC
Post or Wall Mount



PT530SC
Post or Wall Mount



PT600
Post Mount



PT500
Post Mount



PT510
Post Mount



PT530
Post Mount



PT1000
Post Mount



PT500
Wall Mount



PT510
Wall Mount



PT530
Wall Mount



PT500
Pendant Mount



PT510
Pendant Mount



PT530
Pendant Mount



PL2014

PL3014

Area Lighting

LUMUX LIGHTING

7803 Industry Ave, Pico Rivera, CA 90660
sales@lumux.com | 562-801-5100

Content of specification sheet subject to change