

# LUMUX

## FLOOD LIGHT LF SERIES

DATE: \_\_\_\_\_  
PROJECT: \_\_\_\_\_  
FIRM: \_\_\_\_\_  
CATALOG NO: \_\_\_\_\_  
COMMENTS: \_\_\_\_\_



Lumux LF series luminaires are heavy duty linear flood lights for architectural wall washing and landscape applications.

Offering high power density up to 1,250 lumens per foot, the LF Series is a powerful LED solution, energy-efficient for long-lasting outdoor applications. These linear flood lights are offered in four model lengths: LF200 (2ft), LF300 (3ft), LF400 (4ft), and LF800 (8ft). Constructed from the highest quality of specification grade extruded aluminum and component parts, providing durable protection from the elements. Mounting options include architectural brackets and PermaPosts for in-ground installation, both with pivoting mounts.

per 4' fixture      per 4' fixture  
**5000** lm      **53**w      **96** lm/W

Content of specification sheet subject to change

# LUMUX

## FLOOD LIGHT LF SERIES

LF series luminaires are heavy duty linear flood lights with pivoting mounts, designed for architectural wall washing and landscape applications.

### Ordering Guide

Catalog No.	Wattage	LED Color	Color Temp <sup>1</sup>	Voltage	Finish	Options <sup>2</sup>
LF200	26W	White	2700K	120-277v	Black	<input type="checkbox"/> 0-10v Dimming
LF300	38W		3000K		White	<input type="checkbox"/> Glare Shield
LF400	53W		3500K		Silver	<input type="checkbox"/> Ground PermaPost
LF800	105W		4000K		Bronze	<input type="checkbox"/> Mounting bracket 4"
					Custom RAL <sup>2</sup>	<input type="checkbox"/> Mounting bracket 10"

<sup>1</sup>Consult factory for additional options

<sup>2</sup>Consult factory for additional pricing

Catalog No.: \_\_\_\_\_

Performance Specifications	
Flux up to 5000 lm	LER up to 96 lm/W
Power up to 53W	120-277v input voltage
Starting temp. rated to -20°F	
0-10v Dimming driver option	
Lumen Maintenance*: L70 >100,000 hrs	

Environmental Specifications	
BUG rating: per orientation	
CRI 80	Color temperature options
IP65; ETL listed for wet-locations	Marine Grade option
Effective Projected Area 1 sq.ft. per linear foot (w/glare shield accessory)	
5-year limited warranty	Made in the USA

### Delivered Lumens & Wattage per color temperature:

	2700K	3000K	3500K	4000K	WATTS
LF200	2400 lm	2450 lm	2500 lm	2500 lm	26W
LF300	3350 lm	3425 lm	3500 lm	3500 lm	38W
LF400	4800 lm	4900 lm	5000 lm	5000 lm	53W
LF800	9600 lm	9800 lm	10000 lm	10000 lm	105W

For higher lumen packages, please consult the Lumux sales team.

**Housing:** LF Series luminaires feature heavy-duty construction made from corrosion resistant low-copper aluminum extrusion, secured with vandal-resistant stainless steel screws.

**Lens:** Sealed shatter-proof polycarbonate, enclosing anodized aluminum reflector, with optional Glare Shield.

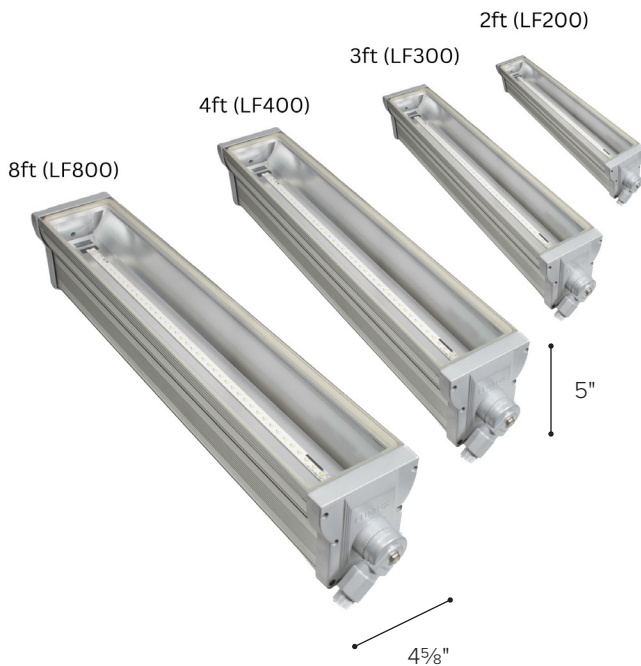
**Gasket:** Closed-cell silicone foam gasket seals out moisture, dust, and insects, for weather-tight operation. IP65 and ETL listed for wet locations.

**Mounting:** Mounts to standard junction box fitted to building ledge, wall, or ceiling, with 4" or 10" mounting brackets, and into ground using PermaPosts; please specify requires in the options column in the Ordering Guide.

**Installation:** Please refer to installation instructions.

**Finish:** Zinc polyester powder coat finish in black, white, silver, bronze, or any custom RAL color. Consult factory for marine grade or anti-microbial finish.

**Light Engine:** Constant Current driver powering high quality LEDs, with optional 0-10v dimming.



### Dimensions

\*Lumen Maintenance Report: Forzlux BB44TN SERIES

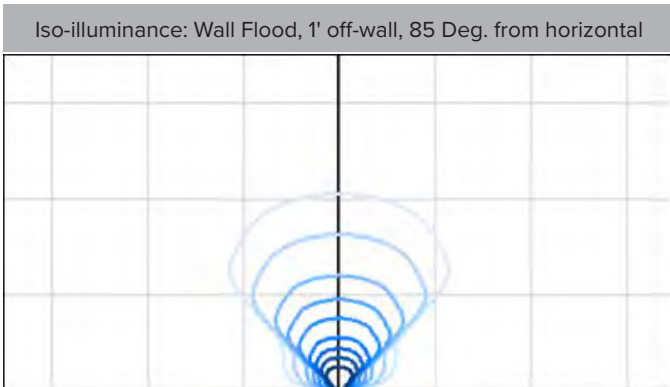
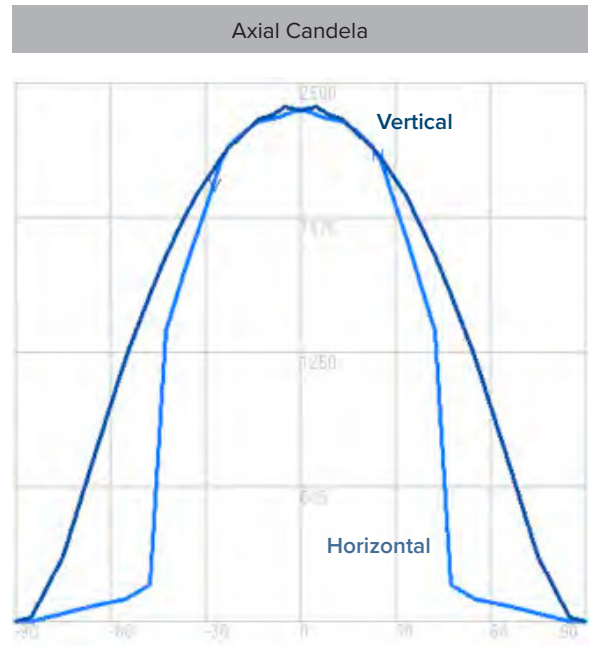
Content of specification sheet subject to change

# LUMUX

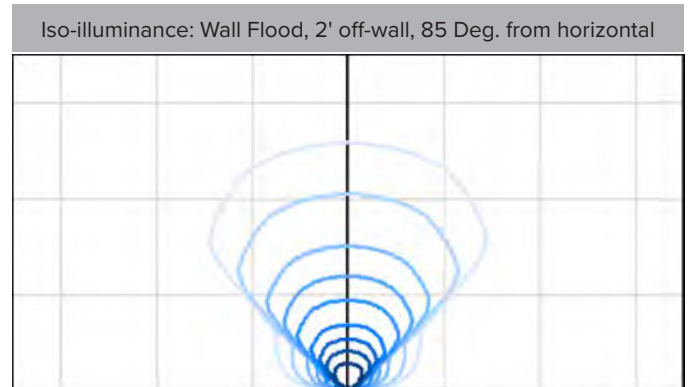
## FLOOD LIGHT LF SERIES

Photometry	IESNA: LM-63-2002
TEST: 31539	TEST LAB: Lighting Sciences Inc.
LUMINAIRE: LF400-LED	DATE: 2013-01-30
Luminaire Lumens	5,023 (4000K)
Luminaire Efficacy Rating (LER)	96 (4000K)
Total Luminaire Watts	52.5W
NEMA Type	5 H x 7 V
Max. Candela: 2,392.1	Max Candela Angle: 0H -5V
Horiz. Beam Angle (50%): 86.3	Vert. Beam Angle (50%): 111.5
Horiz. Field Angle (10%): 99.6	Vertical Field Angle (10%): 154.5
Beam Lumens: 4,110	
Field Lumens: 4,889	
Spill Lumens: 164	

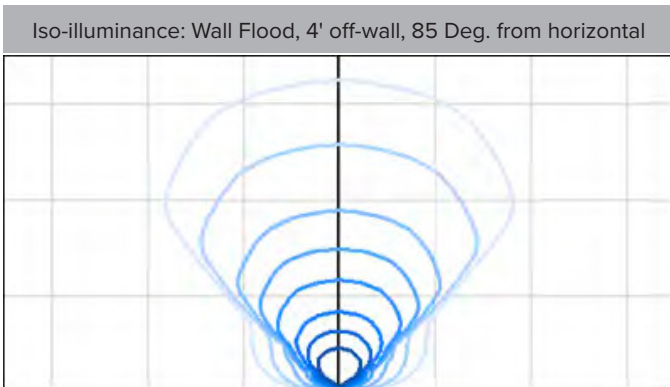
Technical aspects may change without notice.



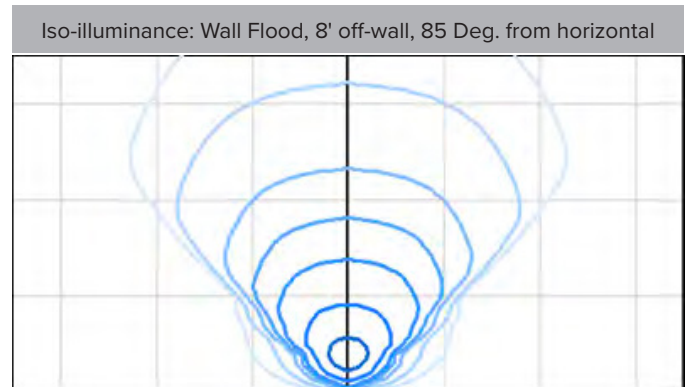
Foot-candles: 0.1, 0.2, 0.5, 1, 2, 5, 10, 20, 50 | Grid spacing 14'



Foot-candles: 0.1, 0.2, 0.5, 1, 2, 5, 10, 20, 50 | Grid spacing 14'



Foot-candles: 0.1, 0.2, 0.5, 1, 2, 5, 10, 20 | Grid spacing 14'



Foot-candles: 0.1, 0.2, 0.5, 1, 2, 5, 10 | Grid spacing 14'

Content of specification sheet subject to change

# LUMUX

## LUMINAIRES IN THE COLLECTION

### FLOOD LIGHTS



FL500-4  
15W

**COMING SOON!**



FL500-7  
39W

**COMING SOON!**



FL500-9  
72W

**COMING SOON!**



FL200-3  
6W & 12W



FL500-4  
29W



FL100  
6,000 lumens

**COMING SOON!**



LF400  
Linear flood wall wash



LF400-2  
Continuous linear flood

**COMING SOON!**



LLF800-2  
Recessed flood

**COMING SOON!**



LF600SS  
Ingrade uplight flood



SL2024 Series  
Ingrade uplight flood

Content of specification sheet subject to change