

**COMING SOON!**

# LUMUX

## FLOOD LIGHT

FL500

DATE: \_\_\_\_\_  
PROJECT: \_\_\_\_\_  
FIRM: \_\_\_\_\_  
CATALOG NO: \_\_\_\_\_  
COMMENTS: \_\_\_\_\_



pole-mount cluster (ø7")  
**CLS-FL500-7**



ø4"  
**FL500-4**

ø7"  
**FL500-7**



ø9"  
**FL500-9**

The FL500 Series from Lumux features compact yet powerful flood lights, excelling at defining outdoor spaces and architectural facades.

FL500 flood lights are distinctively simple and modern in design. Ideal for illuminating outdoor spaces and facades, The FL500 Series are powerful outdoor LED solutions with beam angle options. For ground mounting, a swivel base offers field-adjustable positioning. The CLS-FL500-7 models mount with an adjustable bracket to ø5" poles up to 20 ft in height, customizable in the number of light heads, which can be adjusted to requirement in the field. All FL500 flood lights are constructed from heavy-duty aluminum die-casting, providing durability that meets the highest standards in the most severe outdoor conditions.

up to **3,750** lm    up to **15-72**w    up to **92** lm/W

Content of specification sheet subject to change

# LUMUX

## FLOOD LIGHT FL500

FL500 is offered in three different size and output packages, with beam angle options, and ground-mount or cluster pole light mounting options.

**Ordering Guide** For CLS pole mounted lighthouse clusters, select FL500-7 and include height of pole and number of heads from lower table.

Catalog No.	Wattage	Type	Beam Angle	LED Color	Color Temp <sup>1</sup>	Voltage	Finish	Options <sup>1</sup>
FL500-4	15W	Spot	20°	White	2700K	120-277v	Black	<input type="checkbox"/> Ground Mounted
FL500-7	39W	Narrow Flood	30°	RGBW	3000K		White	<input type="checkbox"/> CLS Pole Cluster Mount
FL500-9	72W	Flood	45°		3500K		Silver	<input type="checkbox"/> Photocell
		Wide Flood	60°		4000K		Bronze	<input type="checkbox"/> Occupancy Sensor
							Custom RAL <sup>1</sup>	<input type="checkbox"/> Integral Battery Pack
								<input type="checkbox"/> GFCI Dual Receptacle

CLS-FL500-7 Pole Cluster	Height	Number of Heads
--------------------------	--------	-----------------

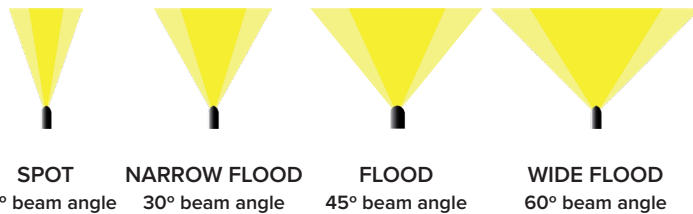
<sup>1</sup>Consult factory for additional options and pricing.

Use drop-down menu to specify height of pole and number of heads.

Catalog No.: \_\_\_\_\_

Performance Specifications	
Flux 3,750 lm (FL500-9 4000K)	LER 52 lm/W
Power 72W	120-277v input voltage
Starting temp. rated to -20°F	Footing mounting option
Integral 0-10v dimming	CLC cluster column option
Lumen Maintenance*: tbd	Photocell & OS options

Environmental Specifications	
Spot, Narrow Flood, Flood, and Wide Flood options	
CRI 80	Color temperature options
IP65	ETL listed for wet-locations
Effective Projected Area ≤ 1 sq.ft.	Marine Grade option
5-year limited warranty	Made in the USA



### Delivered Lumens & Wattage per color temperature:

	2700K	3000K	3500K	4000K	WATTS
FL500-4	1300 lm	1300 lm	1300 lm	1300 lm	15W
FL500-7	2500 lm	2500 lm	2500 lm	2500 lm	39W
FL500-9	3750 lm	3750 lm	3750 lm	3750 lm	72W

**Housing:** Heavy-duty construction corrosion resistant, low-copper die-cast aluminum. Enclosed lens secured with vandal resistant, stainless-steel fasteners.

**Lens:** Sealed one-piece shatter-proof clear polycarbonate lens.

**Gasket:** Closed-cell silicone foam gasket seals out moisture, dust, and insects, for weather-tight operation. IP65 - ETL listed for wet locations.

**Mounting:** Anchor bolts provided for mounting to concrete footing, with NPT fitting. Optional mounting bracket for CLC cluster light column applications to mount to ø4" or ø5" poles.

**Installation:** Please refer to installation instructions.

**Finish:** Zinc polyester powder coat finish in black, white, silver, bronze, or any custom RAL color. Consult factory for marine grade or anti-microbial finish.

**Light Engine:** Constant Current driver with integrated 0-10v dimming, powering high quality LEDs.

**Integral Battery Pack CLS-FL500-7:** Optional 10W IBP emergency battery pack provides 1,000 lumens with a 90 minute battery life.



### Dimensions

\*Lumen Maintenance Report:

Content of specification sheet subject to change

# LUMUX

## SPOT LIGHT - 22° BEAM

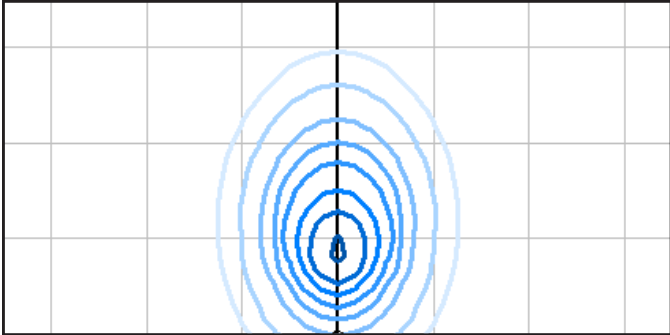
FL500-4



Photometry	IESNA: LM-63-2002
TEST: L012410102	TEST LAB: Light Laboratory Inc.
LUMINAIRE: FL500-4	DATE: 2024-01-17
NEMA Type	3 H x 3 V
Max. Candela: 5,977	Max Candela Angle: 0 H - 0 V
Horiz. Beam Angle (50%): 22.5	Vert. Beam Angle (50%): 22.5
Horiz. Beam Angle (10%): 44.5	Vert. Beam Angle (10%): 44.5
Luminaire Lumens 1,324 (4000K)	Field Lumens: 1,012
Beam Lumens: 497	Spill Lumens: 311
Luminaire Efficacy Rating (LER)	92 lm/W (4000K)
Total Luminaire Watts	14.43W

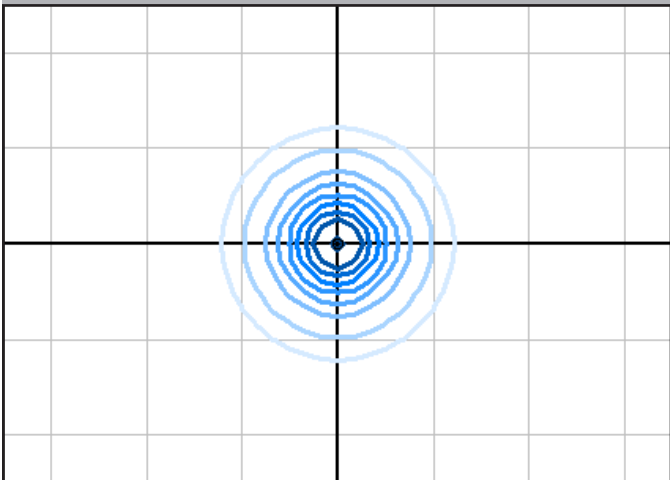
Technical aspects may change without notice.

Iso-illuminance: Ground-mount, Wall Flood, 10' distance, 45 Deg.



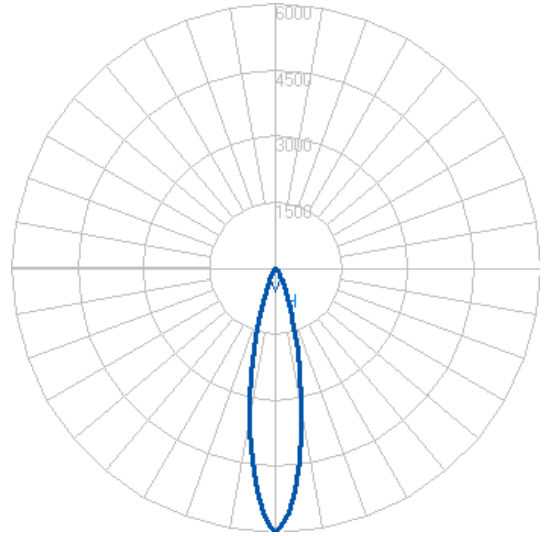
Foot-candles: 0.1, 0.2, 0.5, 1, 2, 5, 10, 20 | Grid spacing 10'

Iso-illuminance: Wall Flood, 10' distance

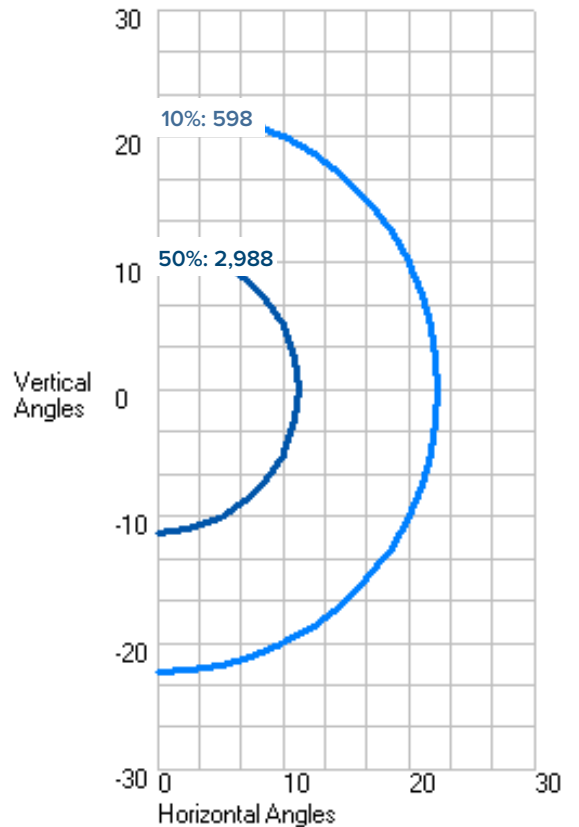


Foot-candles: 0.1, 0.2, 0.5, 1, 2, 5, 10, 20 | Grid spacing 10'

### Axial Candela



### Isocandela



Content of specification sheet subject to change

LUMUX LIGHTING

Sample isoilluminance plots. For actual values, use Lumux IES file with photometry software and correct surface reflectances.

7803 Industry Ave, Pico Rivera, CA 90660  
[sales@lumux.com](mailto:sales@lumux.com) | 562-801-5100

# LUMUX

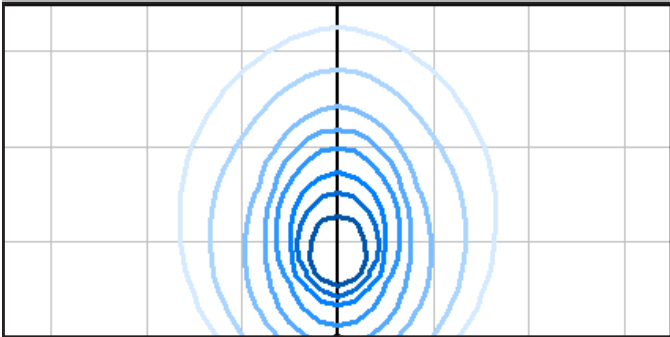
## FLOOD LIGHT - 25° BEAM FL500-7



Photometry	IESNA: LM-63-2002
TEST: L012410103	TEST LAB: Light Laboratory Inc.
LUMINAIRE: FL500-7	DATE: 2024-01-16
NEMA Type	3 H x 3 V
Max. Candela: 8,554	Max Candela Angle: -7 H -3 V
Horiz. Beam Angle (50%): 25	Vert. Beam Angle (50%): 28
Horiz. Beam Angle (10%): 44	Vert. Beam Angle (10%): 45
Luminaire Lumens 2,539 (4000K)	Field Lumens: 1,963
Beam Lumens: 1,345	Spill Lumens: 575
Luminaire Efficacy Rating (LER)	66 lm/W (4000K)
Total Luminaire Watts	38.43W

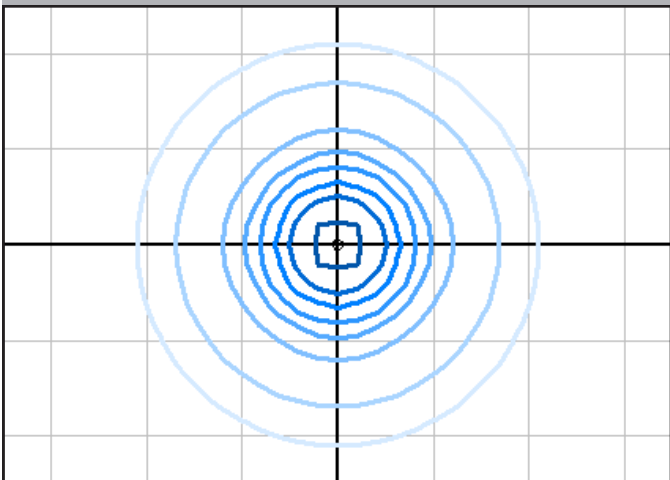
Technical aspects may change without notice.

Iso-illuminance: Ground-mount, Wall Flood, 10' distance, 45 Deg.



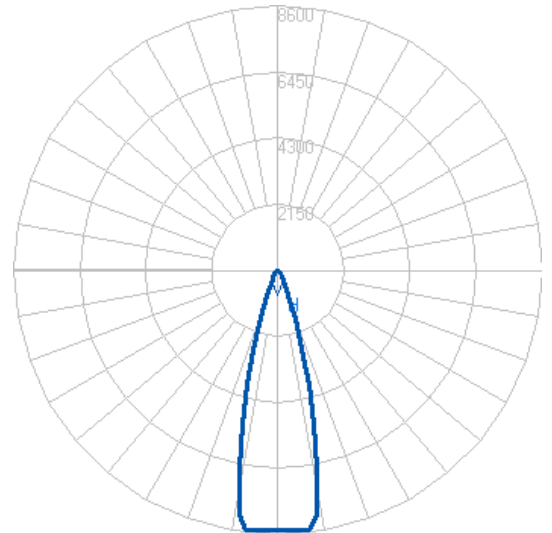
Foot-candles: 0.1, 0.2, 0.5, 1, 2, 5, 10, 20 | Grid spacing 10'

Iso-illuminance: Wall Flood, 20' distance

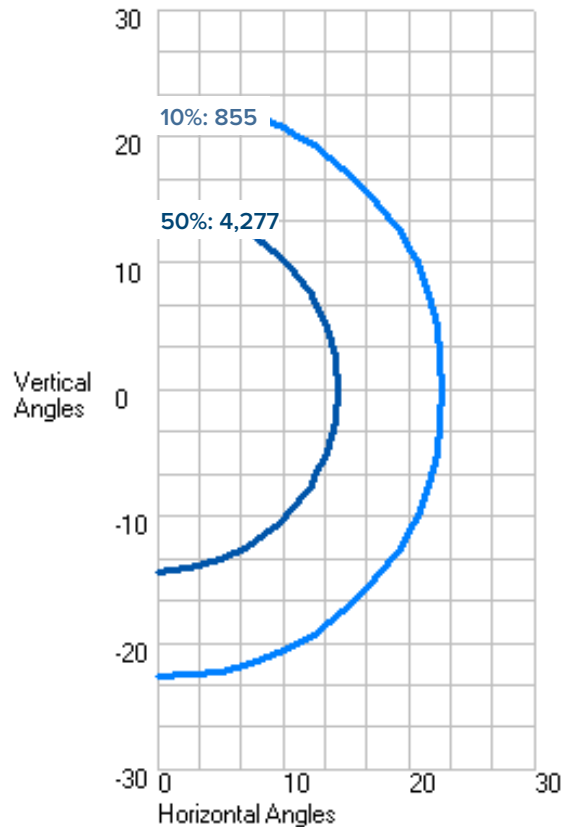


Foot-candles: 0.1, 0.2, 0.5, 1, 2, 5, 10, 20 | Grid spacing 10'

### Axial Candela



### Isocandela



Content of specification sheet subject to change

LUMUX LIGHTING

Sample isoilluminance plots. For actual values, use Lumux IES file with photometry software and correct surface reflectances.

7803 Industry Ave, Pico Rivera, CA 90660  
sales@lumux.com | 562-801-5100

# LUMUX

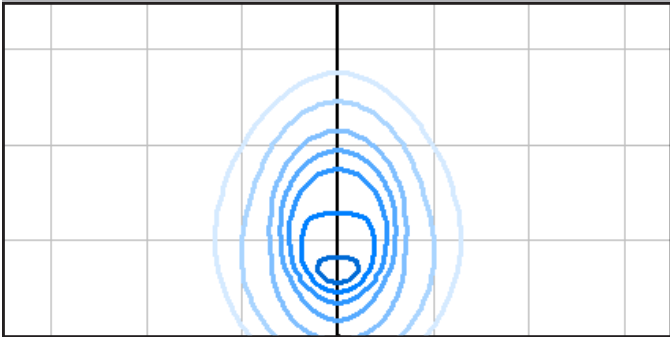
## FLOOD LIGHT - 30° BEAM FL500-9



Photometry	IESNA: LM-63-2002
TEST: L012410104	TEST LAB: Light Laboratory Inc.
LUMINAIRE: FL500-9	DATE: 2024-01-17
NEMA Type	4 H x 4 V
Max. Candela: 8,736	Max Candela Angle: -7 H -7 V
Horiz. Beam Angle (50%): 32	Vert. Beam Angle (50%): 32
Horiz. Beam Angle (10%): 50	Vert. Beam Angle (10%): 50
Luminaire Lumens 3,753 (4000K)	Field Lumens: 2,919
Beam Lumens: 2,210	Spill Lumens: 834
Luminaire Efficacy Rating (LER)	52 lm/W (4000K)
Total Luminaire Watts	71.71W

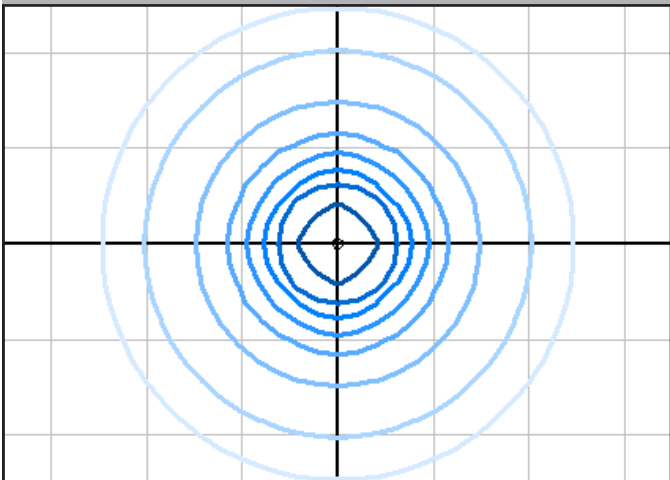
Technical aspects may change without notice.

Iso-illuminance: Ground-mount, Wall Flood, 20' distance, 45 Deg.



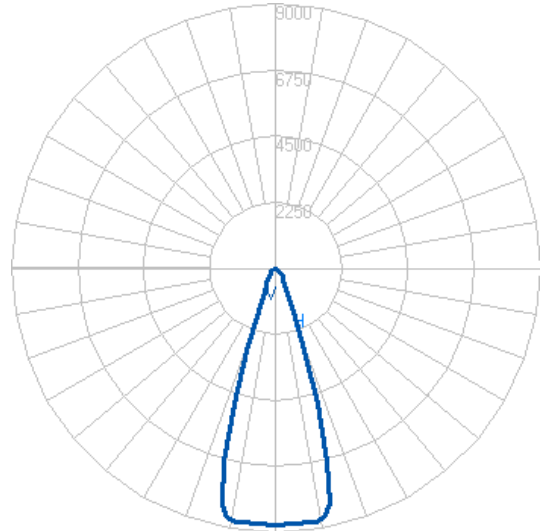
Foot-candles: 0.1, 0.2, 0.5, 1, 2, 5, 10 | Grid spacing 20'

Iso-illuminance: Wall Flood, 20' distance

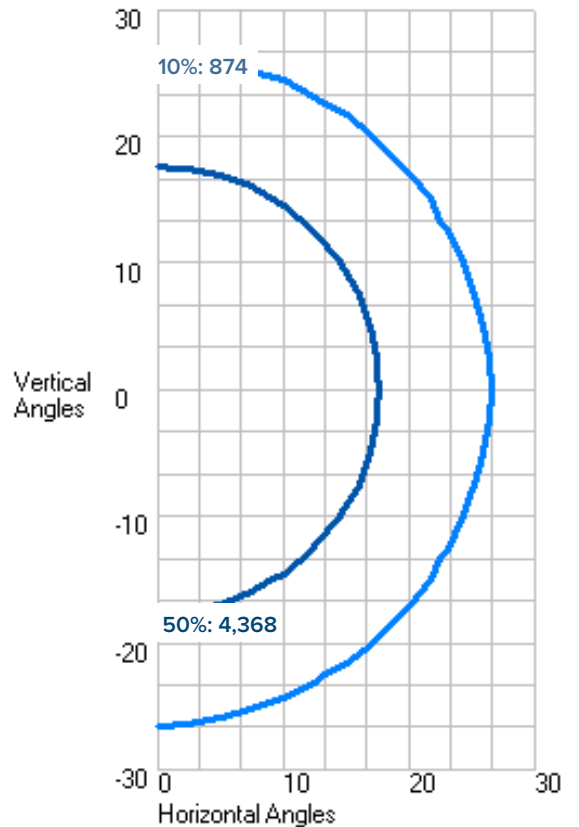


Foot-candles: 0.1, 0.2, 0.5, 1, 2, 5, 10, 20 | Grid spacing 10'

### Axial Candela



### Isocandela



Content of specification sheet subject to change

LUMUX LIGHTING

Sample isoilluminance plots. For actual values, use Lumux IES file with photometry software and correct surface reflectances.

7803 Industry Ave, Pico Rivera, CA 90660  
sales@lumux.com | 562-801-5100



# LUMUX

## LUMINAIRES IN THE COLLECTION FLOOD LIGHTS



FL500-4  
15W

**COMING SOON!**



FL500-7  
39W

**COMING SOON!**



FL500-9  
72W

**COMING SOON!**



FL200-3  
6W & 12W



FL500-4  
29W



FL100  
6,000 lumens

**COMING SOON!**



LF400  
Linear flood wall wash



LF400-2  
Continuous linear flood  
**COMING SOON!**



LLF800-2  
Recessed flood

**COMING SOON!**



LF600SS  
Ingrade uplight flood



SL2024 Series  
Ingrade uplight flood

Content of specification sheet subject to change