

# LUMUX

## BOLLARD

BL350S

DATE: \_\_\_\_\_  
PROJECT: \_\_\_\_\_  
FIRM: \_\_\_\_\_  
CATALOG NO.: \_\_\_\_\_  
COMMENTS: \_\_\_\_\_



Waldorf Astoria Beverly Hills

**BL350S from Lumux is an elegant, architectural bollard that excels at defining spaces, both during the day and at night.**

BL350S offers a distinctively contemporary, minimalistic design. Ideal for illuminating paths and plazas, BL350S is a powerful outdoor LED solution. BL350S is constructed from heavy-duty aluminum extrusion, providing durability that meets the highest standards. Part of the Lumux lighting collection that includes PL2014 light columns, this luminaire is offered in single (BL350) or twin (BL350-2) versions, and the shorter BL350S and BL350S-2 models.

up to **1,000** lm      **28**w      up to **36** lm/W

Content of specification sheet subject to change

# LUMUX

## BOLLARD BL350S

BL350S is an elegant low-height gateway, path, and plaza light with a modern design.

### Ordering Guide

Catalog No.	Peak Beam Angle (horizontal)	LED Color	Color Temp <sup>1</sup>	Voltage	Finish	Options <sup>2</sup>
BL350S	Circular	White	2700K	120-277v	Black	<input type="checkbox"/> 0-10v Dimming
			3000K		White	<input type="checkbox"/> GFCI Dual Recepticle
			3500K		Silver	<input type="checkbox"/> Occupancy Sensor
			4000K		Bronze	<input type="checkbox"/> Photocell
					Custom RAL <sup>2</sup>	

<sup>1</sup>Consult factory for additional options

<sup>2</sup>Consult factory for additional pricing

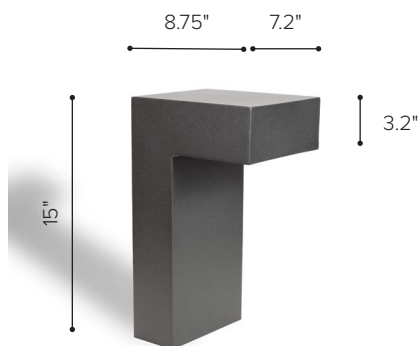
Catalog No.: \_\_\_\_\_

Performance Specifications	
Flux 1,000 lm (4000K)	LER 36 lm/W
Power 28W	120-277v input voltage
Starting temp. rated to -20°F	GFCI dual recepticle option
Dimmable driver (0-10v) option	Occupancy sensor option
Lumen Maintenance*: L70 >60K hrs	Photocell option

Environmental Specifications	
<b>BL350S</b> BUG rating: B1-U1-G0	
CRI 80	Color temperature options
IP65	ETL listed for wet-locations
Effective Projected Area 1.5 ft <sup>2</sup>	Marine Grade option
5-year limited warranty	Made in the USA

### Delivered Lumens & Wattage per color temperature:

	2700K	3000K	3500K	4000K	WATTS
BL350S	900 lm	900 lm	1,000 lm	1,000 lm	28W



**Housing:** Heavy-duty construction of corrosion resistant, low-copper extruded aluminum. All fasteners are vandal resistant stainless-steel.

**Lens:** Sealed one-piece, shatter-proof, UV-rated clear glass diffuser.

**Gasket:** Closed-cell silicone foam gasket that seals out moisture, dust, and insects, for weather tight operation.

**Mounting:** Secures with galvanized anchor bolts.

**Installation:** Please refer to installation instructions.

**Finish:** Zinc polyester powder coat finish in black, white, silver, bronze, or any custom RAL color. Consult factory for marine grade or anti-microbial finish.

### Dimensions

\*Lumen Maintenance Report: CREE CXA2520

Content of specification sheet subject to change

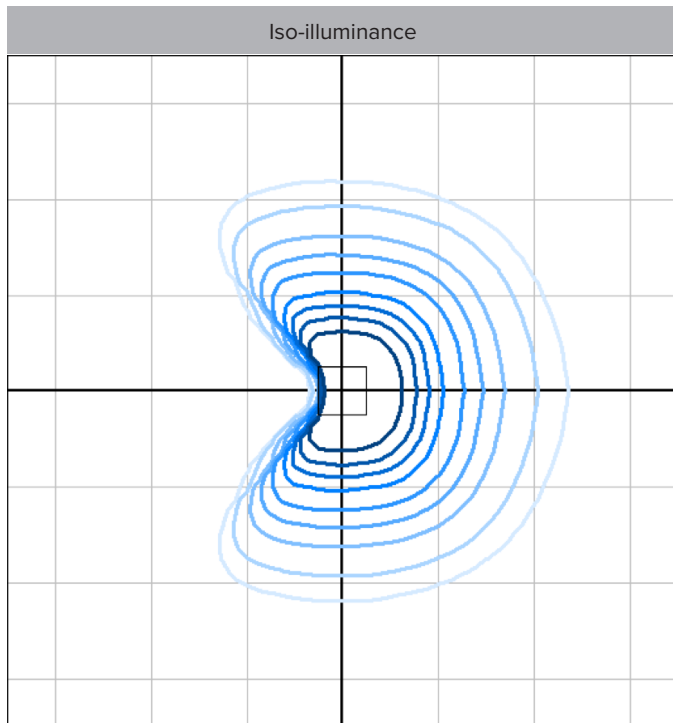
# LUMUX

## BOLLARD BL350S

Photometry	IESNA: LM-63-2002
TEST: 13799108.01	TEST LAB: UL LLC
LUMINAIRE: BL350S	DATE: 2020-11-11
IES Classification: Type I	Long. Class: Very Short
Luminaire Lumens	1,023 (4000K)
Luminaire Efficacy Rating (LER)	36
Total Luminaire Watts	28.181W
Upward Waste Light Ratio	0.00
Max. Candela	772
Max. Cd. < 90° Vertical	772
Max. Cd. (At 90 Deg. Vert.)	2.5 (0.12%)
Max. Cd. (80 to <90 Deg. Vert.)	8.1 (0.8%)
Cutoff Classification	NA
BUG Rating	B1-U1-G0

Technical aspects may change without notice.

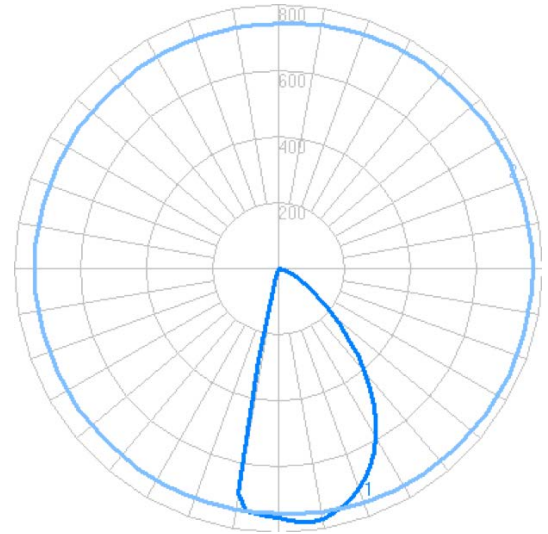
IES Mounting Height for photometry plans: 12" / 1'



Foot-candles: 0.1, 0.2, 0.5, 1, 2, 5, 10, 20, 50 | Grid spacing 2'

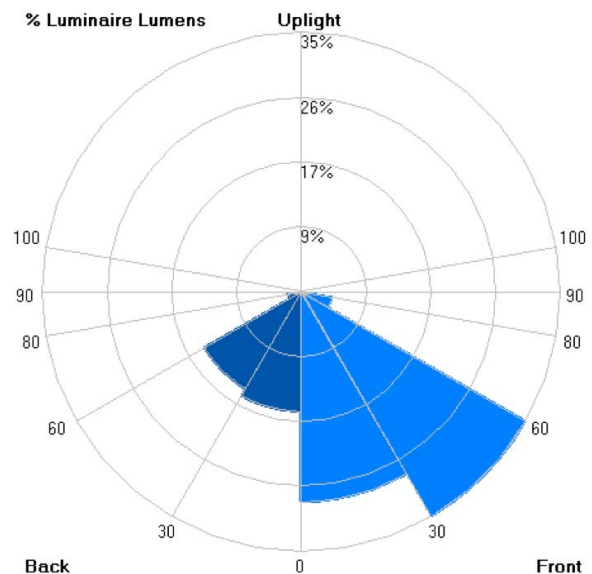
Sample isoillumiance plot. For actual values, use Lumux IES file with photometry software and correct surface reflectances.

**Candela**



**Zonal Lumens**

LCS	Zone	Lumens	%Lum.
FL	(0-30)	287.7	28.1
FM	(30-60)	354.9	34.7
FH	(60-80)	42.9	4.2
FVH	(80-90)	1.5	0.1
BL	(0-30)	164.2	16.0
BM	(30-60)	153.1	15.0
BH	(60-80)	18.3	1.8
BVH	(80-90)	0.3	0.0
UL	(90-100)	0.4	0.0
UH	(100-180)	0.2	0.0
Total		1023	100



# LUMUX

## LUMINAIRES IN THIS COLLECTION

---



**BL350S**

**BL350S-2**

**BL350-2**

**BL350**

**PL2014-2**

**PL2014**

---

LUMUX LIGHTING

7803 Industry Ave, Pico Rivera, CA 90660  
sales@lumux.com | 562-801-5100

Content of specification sheet subject to change