

# LUMUX

## BOLLARD

BL344

DATE: \_\_\_\_\_  
PROJECT: \_\_\_\_\_  
FIRM: \_\_\_\_\_  
CATALOG NO.: \_\_\_\_\_  
COMMENTS: \_\_\_\_\_



BL344 from Lumux is an elegant, architectural bollard that excels at defining spaces, both during the day and at night.

BL344 offers a distinctively contemporary, minimalistic design. Ideal for illuminating large areas and paths, BL344 is a powerful outdoor LED solution. BL344 is constructed from heavy-duty aluminum extrusion, providing durability that meets the highest standards. BL344 is part of a collection that includes BL340, PL3014, BL344-TALL and WS-BL344.

up to  
**2,100** lm

**24**W

up to  
**88** lm/W

LUMUX LIGHTING

7803 Industry Ave, Pico Rivera, CA 90660  
sales@lumux.com | 562-801-5100

Content of specification sheet subject to change

# LUMUX

## BOLLARD BL344

BL344 is a plaza, path and driveway lighting bollard, perfect for area lighting and defining spaces.

### Ordering Guide

Catalog No.	LED Color	Color Temp <sup>1</sup>	Voltage	Finish	Options <sup>2</sup>
BL344	White	2700K	120-277v	Black	<input type="checkbox"/> 0-10v Dimming <input type="checkbox"/> GFCI Dual Recepticle <input type="checkbox"/> Occupancy Sensor <input type="checkbox"/> Photocell
		3000K		White	
		3500K		Silver	
		4000K		Bronze	
				Custom RAL <sup>2</sup>	

<sup>1</sup>Consult factory for additional options

<sup>2</sup>Consult factory for additional pricing

Catalog No.: \_\_\_\_\_

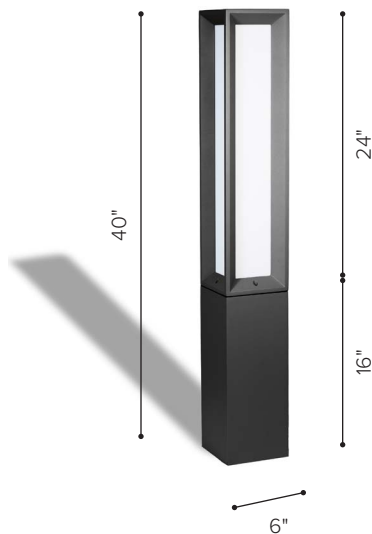
Performance Specifications	
Flux 2,100 lm (4000K)	LER 88 lm/W
Power 24W	120-277v input voltage
Starting temp. rated to -20°F	GFCI dual recepticle option
Dimmable driver (0-10v) option	Occupancy sensor option
Lumen Maintenance*: L90 >50K hrs	Constant Current

Environmental Specifications	
BUG rating: B1-U4-G2	
CRI 80	Color temperature options
IP65	ETL listed for wet-locations
Effective Projected Area ≤ 2.1 ft2	Marine Grade option
5-year limited warranty	Made in the USA

### Delivered Lumens & Wattage per color temperature:

	2700K*	3000K*	3500K*	4000K	WATTS
BL344	2,100 lm	2,100 lm	2,100 lm	2,100 lm	24W

\*estimated



### Dimensions

\*Lumen Maintenance Report (CREE CXB2530):

[https://cree-led.com/media/documents/LM80\\_Results.pdf](https://cree-led.com/media/documents/LM80_Results.pdf)

**Housing:** Heavy-duty construction corrosion resistant, low-copper extruded aluminum. All fasteners are vandal resistant, stainless-steel.

**Lens:** Sealed, shatter-proof, UV-rated polycarbonate.

**Mounting:** Secures with galvanized anchor bolts.

**Installation:** Please refer to installation instructions below.

**Finish:** Zinc polyester powder coat finish in black, white, silver, bronze, or any custom RAL color. Consult factory for marine grade or anti-microbial finish.

# LUMUX

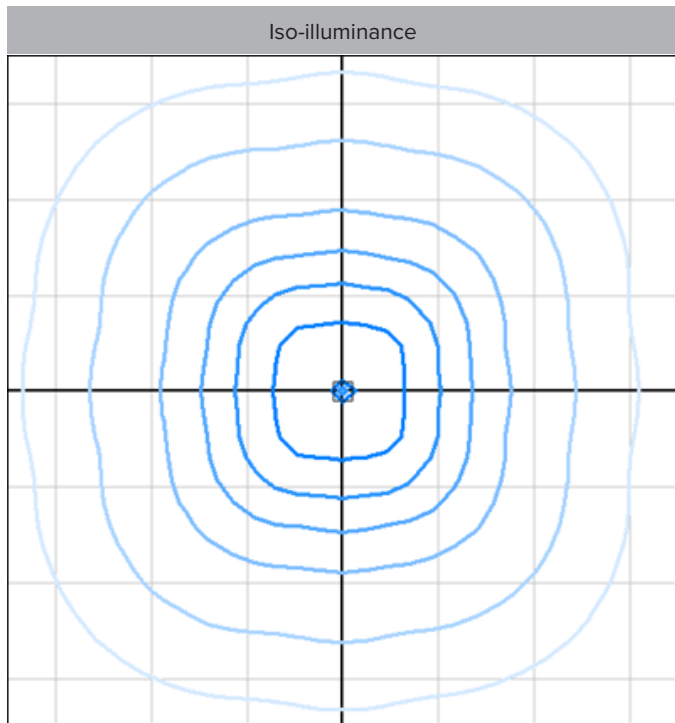
## BOLLARD BL344

DATE: \_\_\_\_\_  
 PROJECT: \_\_\_\_\_  
 FIRM: \_\_\_\_\_  
 CATALOG NO.: \_\_\_\_\_  
 COMMENTS: \_\_\_\_\_

Photometry	IESNA: LM-63-2002
TEST: 14446401.02	TEST LAB: UL LLC
LUMINAIRE: BL344	DATE: 2022-08-19
IES Classification: N.A.	Long. Class: N.A.
Luminaire Lumens	2,107 (4000K)
Luminaire Efficacy Rating (LER)	88
Total Luminaire Watts	23.99W
Upward Waste Light Ratio	0.51
Max. Candela	276.4
Max. Cd. < 90° Vertical	275.6 (100%)
Max. Cd. (At 90 Deg. Vert.)	276 (13.1% Luminaire lumens)
Max. Cd. (80 to <90 Deg. Vert.)	275.6 (13.1% Luminaire lumens)
Cutoff Classification	N.A.
BUG Rating	B1-U4-G2

Technical aspects may change without notice.

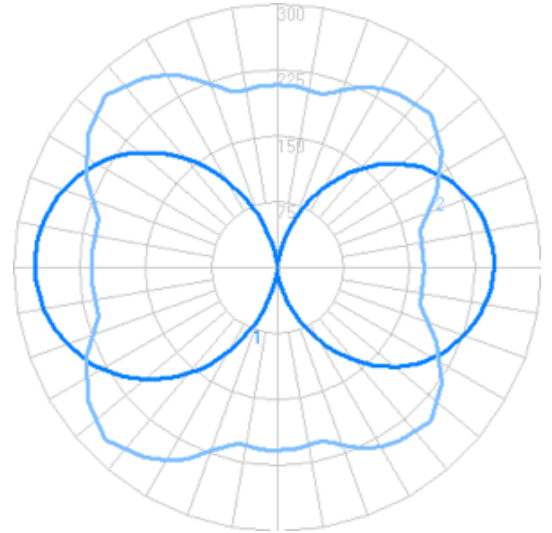
IES Mounting Height for photometry plans: 28" / 2.3'



Foot-candles: 0.1, 0.2, 0.5, 1, 2, 5 | Grid spacing 5'

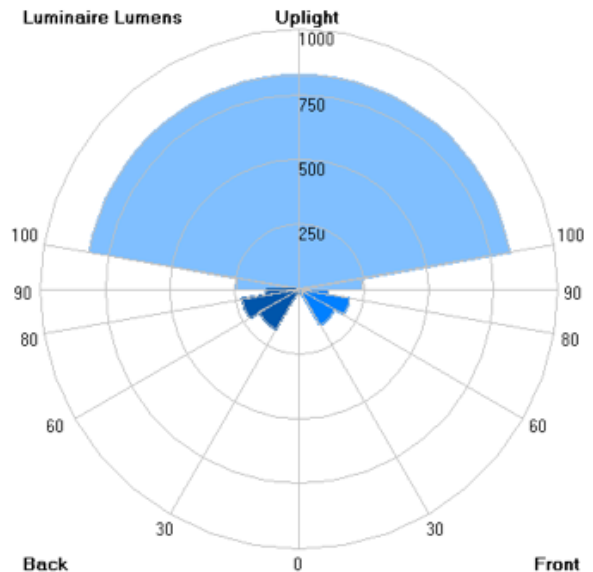
Sample isoillumination plot. For actual values, use Lumux IES file with photometry software and correct surface reflectances.

### Candela



### Zonal Lumens

LCS	Zone	Lumens	%Lum.
FL	(0-30)	20.5	1.0
FM	(30-60)	158.1	7.5
FH	(60-80)	197.0	9.3
FVH	(80-90)	113.5	5.4
BL	(0-30)	23.4	1.1
BM	(30-60)	178.5	8.5
BH	(60-80)	221.5	10.5
BVH	(80-90)	127.3	6.0
UL	(90-100)	242.2	11.5
UH	(100-180)	824.7	39.1
Total		2107	100



Content of specification sheet subject to change

# LUMUX

## LUMINAIRES IN THIS COLLECTION

---



**WS-BL344**



**BL344**



**BL344-TALL**



**BL344**



**BL344**