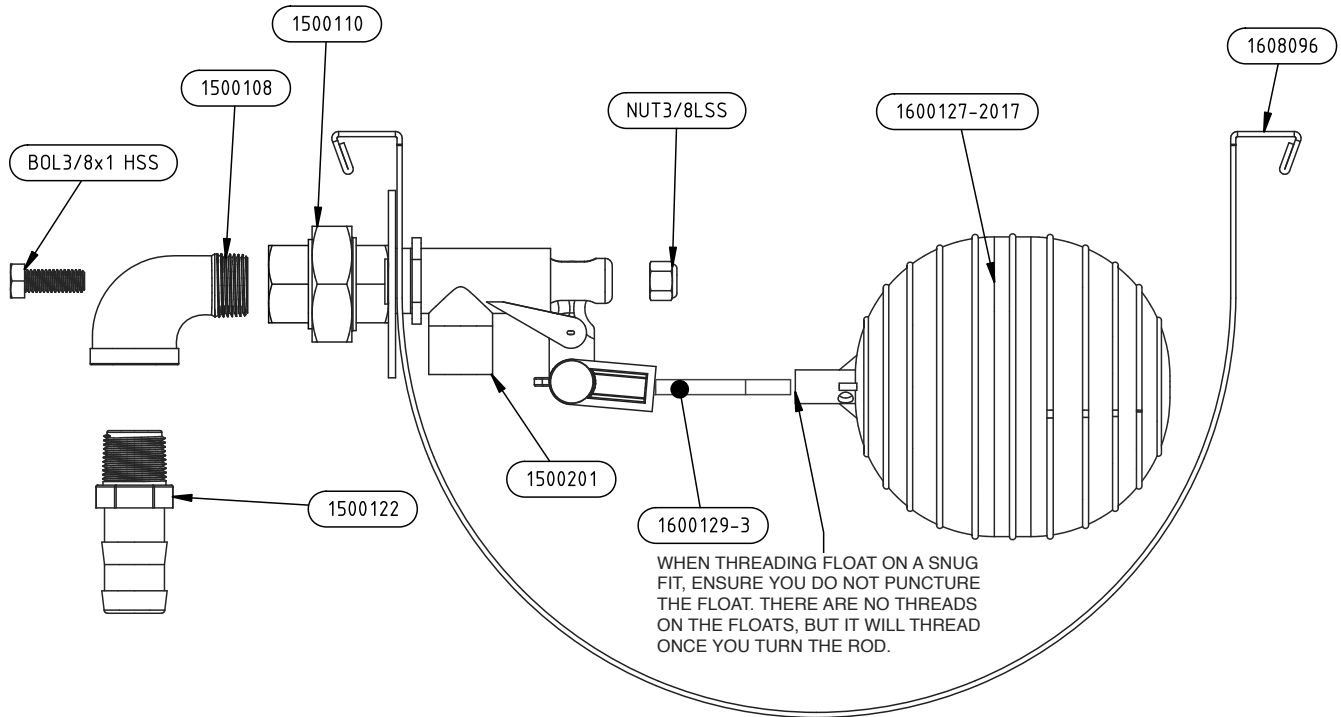
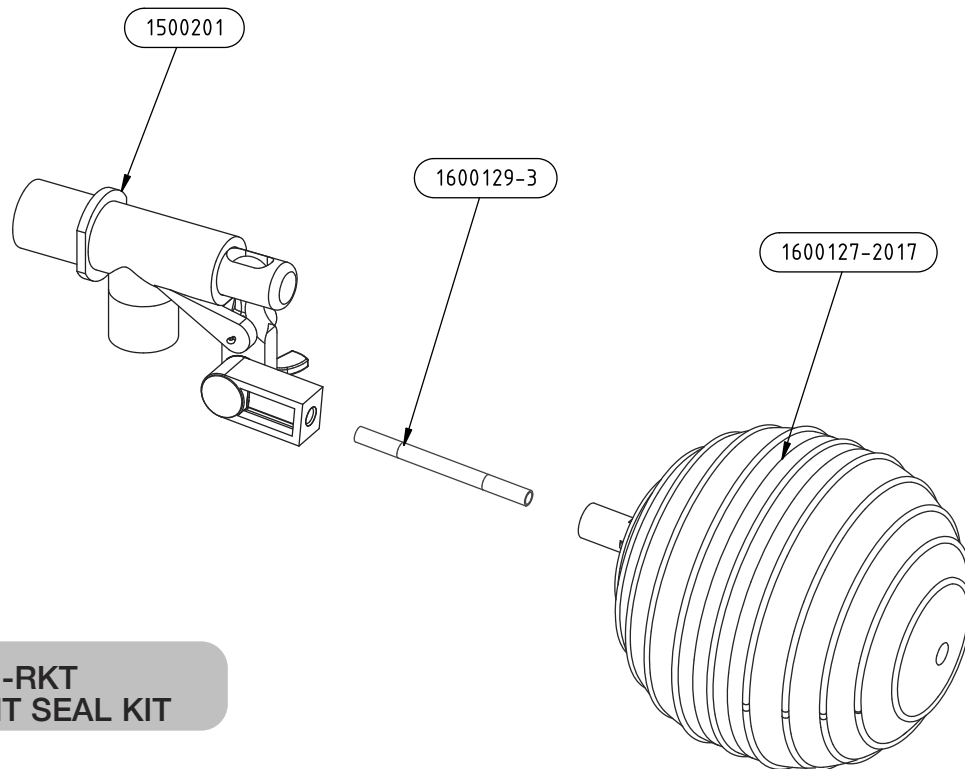


1500100 PLASTIC FLOAT VALVE (13 GALLONS / MIN) + HDW

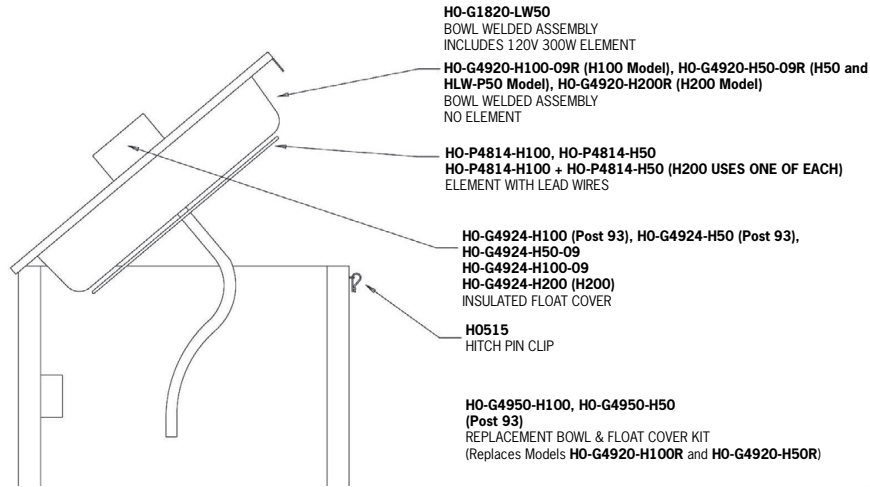


R-1500201PK REPLACEMENT 13GPM PL VALVE, STEM AND FLOAT BALL PKG

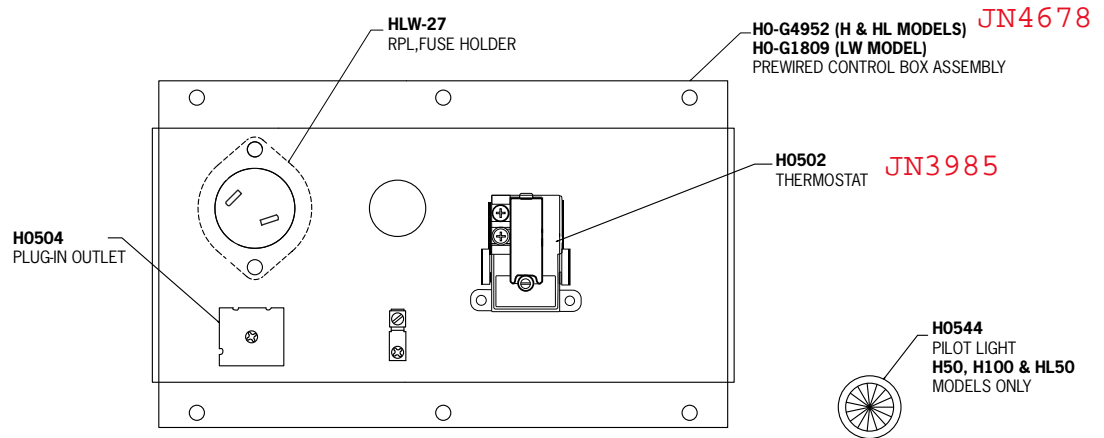


**1500201-RKT
 REPLACEMENT SEAL KIT**

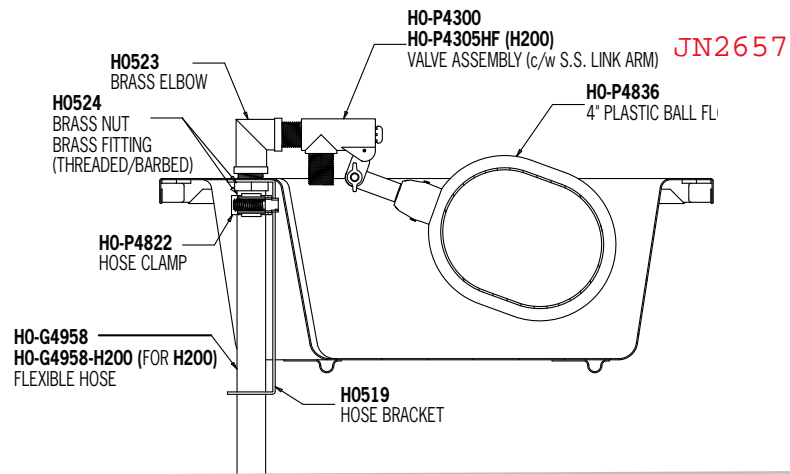
GENERAL COMPONENTS



ELECTRICAL COMPONENTS



WATER SUPPLY COMPONENTS



H0-G4920-H100-09R - REPLACEMENT BOWL - H100 (POST 2008)

H0-G4920-H50-09R - REPLACEMENT BOWL - H50 (POST 2008)

**H0-G4920-H200R
REPLACEMENT BOWL - H200**

**H0-G1820-LW50
REPLACEMENT BOWL - LW50**



**H0-G4950-H100
H100 (All model years)**
**H0-G4950-H50
H50 (All model years)**
**REPLACEMENT BOWL
& FLOAT COVER KIT**



*Post 2008 style shown above

H0-G4924-H100 - FLOAT COVER - H100 (POST '93) INSULATED

H0-G4924-H50 - FLOAT COVER - H50 (POST '93) INSULATED

H0-G4924-H50-09 - FLOAT COVER - H50 (POST 2008) INSULATED

H0-G4924-H200 - FLOAT COVER - H200 (POST 2008) INSULATED

**H0-G4958
FLEXIBLE SUPPLY HOSE
(POST '93)**

**H0-G4958-H200
FLEXIBLE SUPPLY HOSE
(H200 MODELS)**



H0-P4822 - (#10 GEAR CLAMP, HF10) HOSE CLAMP



H0-G4952 - CONTROL BOX PRE-WIRED (H, HL MODELS ONLY)



**H0502
THERMOSTAT**

JN3985



**HLW-27
FUSE HOLDER**



H0514 - HOLD DOWN BRACKET + HDW. (POST '93)



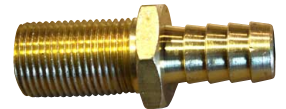
H0519 - HOSE BRACKET HLW-93



H0523 - H0523 BRASS ELBOW (HLW-94)



H0524 - H0524 BRASS FITTING & NUT



H0544 - ROUND PILOT LIGHT (KIT) (POST '92)



H0-P4300 - VALVE ASSEMBLY (KERICK) C/W LINK ARM FOR FLOAT

**H0-P4836
4" PLASTIC BALL FLOAT**

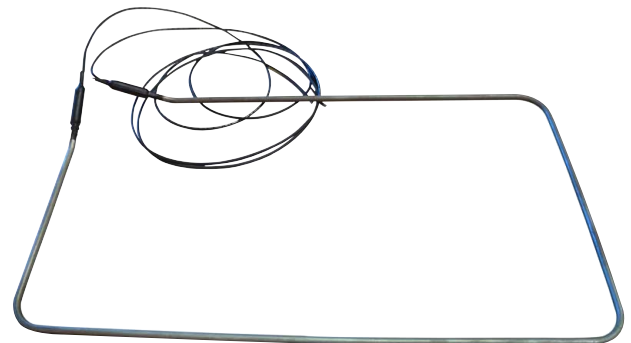
**H0-P4305HF JN2657
(H200 MODEL)**



H0-P4301 - VALVE CUP & TIP SEAL KIT



H0-P4814-H100 - ELEMENT (500 WATTS) - H100 (POST '93), 19" X 11"
H0-P4814-H50 - ELEMENT (300 WATTS) - H50 (POST '93), 16" X 7"
JN3868

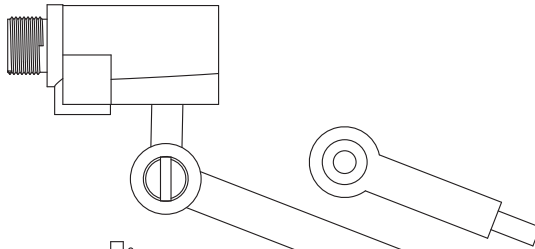


H200 Model uses one of each of the above.

PART #	DESCRIPTION
H0502	THERMOSTAT (HLW-20)
H0504	PLUG-IN OUTLET (HLW-26)
H0514	HOLD DOWN BRACKET (4 PK) & HARDWARE (H, HL MODELS)
H0516	CABINET WEATHER STRIPPING
H0519	HOSE BRACKET HLW-93
H0523	BRASS ELBOW 3/8"X3/8"
H0524	BRASS FITTING & NUT
H0544	ROUND PILOT LIGHT (KIT) (POST '92)
H0-C4904	CONTROL BOX EXTERNAL COVER (BLUE) H AND HL MODELS ONLY
H0-G1809	CONTROL BOX PRE-WIRED (LW MODEL ONLY) (SEE H0-G4952)
H0-G4920-H200R	REPLACEMENT BOWL - H200
H0-G4920-H100-09R	BOWL WELDED ASSEMBLY - H100 (POST 2008)
H0-G4920-H100R	OBSOLETE - SEE H0-G4950-H100
H0-G4920-H50-09R	BOWL WELDED ASSEMBLY - H50 (POST 2008)
H0-G4920-H50R	OBSOLETE - SEE H0-G4950-H50
H0-G4920-P50	REPL SS BOWL FOR P50 POLY WATERER
H0-G4924-H200	FLOAT COVER, INSULATED - H200
H0-G4924-H100-09	FLOAT COVER, INSULATED - H100 (POST 2008)
H0-G4924-H100	FLOAT COVER, INSULATED - H100 (POST '93)
H0-G4924-H50-09	FLOAT COVER INSULATED - H50 (POST 2008)
H0-G4924-H50	FLOAT COVER INSULATED - H50 (POST '93)
H0-G4950-H50	REPLACEMENT BOWL & FLOAT COVER KIT (H50 POST 1993)
H0-G4950-H100	REPLACEMENT BOWL & FLOAT COVER KIT (H100 POST 1993)
H0-G4952	CONTROL BOX PRE-WIRED (H, HL MODELS ONLY)
H0-G4958	FLEXIBLE SUPPLY HOSE (POST 93)
H0-G4958-H200	FLEXIBLE SUPPLY HOSE FOR H200
H0-P4201	KERICK - SANTOPRENE VALVE STOPPER (4PAK)(FOR OLD P4200 VALVES)
H0-P4300	KERICK - VALVE ASSEMBLY C/W LINK ARM FOR FLOAT
H0-P4301	KERICK - VALVE CUP & TIP SEAL KIT (1 SET) (FOR USE WITH P4301 VALVES)
H0-P4305HF	REPLACEMENT VALVE FOR H200 WATERER - 12 GPM @30 PSI (WORKS W/ 50 & 100 WATERER)
H0-P4813-300	ELEMENT (300 WATTS), OLD DESIGN 9" X 6" (MIN ORDER 24 PCS)
H0-P4813-400	ELEMENT (400 WATTS), OLD DESIGN 15 3/4" X 6 3/4" (MIN ORDER 24 PCS)
H0-P4813-600	ELEMENT (600 WATTS), OLD DESIGN 18" X 10" (MIN ORDER 24 PCS)
H0-P4814-H100	ELEMENT (500 WATTS) - H100 (POST '93), 19" X 11"
H0-P4814-H50	ELEMENT (320 WATTS) - H50 (POST '93), 16" X 7"
H0-P4836	4" BLACK PLASTIC FLOAT BALL
H0-P4856	PLASTIC HOSE FITTING (1/2" BARBED INSERT TO 1/2" MALE NPT)
HLW-27	FUSE HOLDER
HLW-VALVEKIT	WATERBOWL VALVE & FLOAT KIT

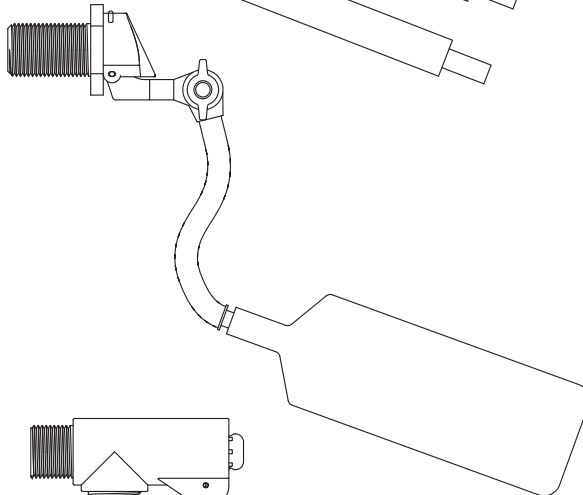
HEATED LIVESTOCK WATERERS VALVE & FLOAT

Illustration #1



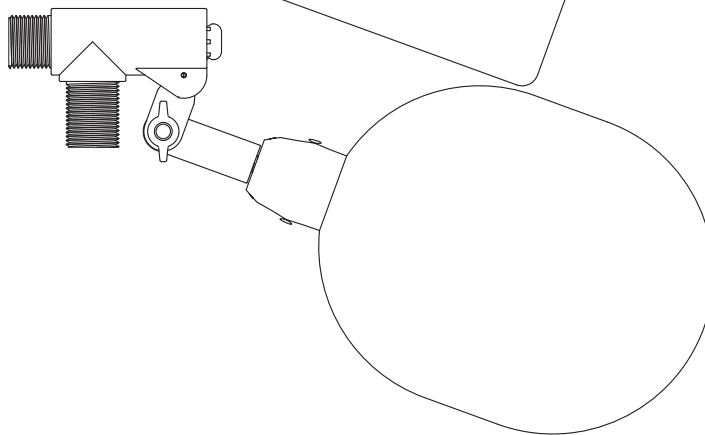
- (1) Part#: **H0511 / H0512**
No longer available.
Upgrade to newer valve (Illustration #3) is recommended.

Illustration #2



- (2) Part#: **H0-P4200 / H0-P4201**
No longer available.
New valve (Illustration #3) replaces valve shown in Illustration #2.

Illustration #3



- (3) Part#: **H0-P4300** Available and current default valve (5.5 GPM @ 30 PSI)
Part #: **H0-P4305HF** for H200 model (12 GPM @ 30 PSI)

Float: **H0-P4836**

- 2001 Post-1994 valve assembly (see Illustration #1) required costly design upgrade for high water pressure (PSI) locations. Research thus began for alternate valves.
- 2003 An alternate valve (see Illustration #2) was found, tested and approved to cover high PSI locations with fair results for low PSI locations. Decision was made to completely switch to this valve.
- 2005 Feedback indicated that low PSI locations needed greater water flow. Valve supplier was immediately contacted for further development. In the interim however, low PSI users were told to purchase the post-1994 valve (Illustration#1) with an updated plastic float as a replacement assembly.
- 2006 A redesigned, more robust valve (Illustration #3) with improved sealing and a larger orifice size (with capacity for further enlargement) was soon developed, tested and approved. All 2006 waterers will have this new valve (Illustration #3).
- 2009 A high flow valve has been added for the H200 waterer. It is rated for 12 gal/min at 30 psi. See replacement part #H0-P4305HF. It is retro-fittable to older models.