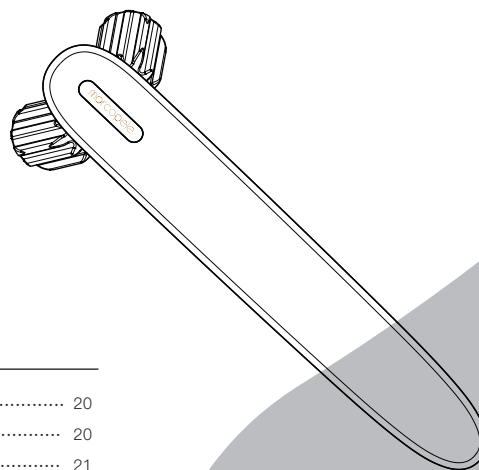


Read this user manual carefully before you use the appliance and keep it for future reference.



## Instruction Manual

Home EMS roller beauty instrument for MP1023

Catalogue	Preface .....	1	Notice .....	20
	Safety Precautions.....	1	•Suspected failure .....	20
	Name and function of each part	8	•Common problem .....	21
	Before use .....	10	•Product specifications .....	22
	How to use .....	13	After-sales service .....	23

English version

### Preface

Thank you very much for buying marcopele EMS roller beauty instrument products.

- To ensure proper and safe use, please read the instructions carefully.
- After reading, be sure to keep it in a place where you can read it at any time.
- When transferring this product to others, be sure to attach the instructions.

### Safety Notice

- Please read 'Safety notice' carefully before use.
- Please follow the prescribed steps for reasonable use.
- When an abnormality occurs, stop using it immediately.
- If it is used in a malfunction state, it may have an adverse effect on the body, so be careful.
- The precautions here are important to the safety and must be observed.
- In order to indicate the magnitude and urgency of the hazard and damage, the conditions that may occur due to misuse are classified as 'dangerous', 'warning' and 'attention'.

#### ● Classification of reminders



'Dangerous'  
improper use of this product will lead to serious casualties.



'Warning'  
improper use of this product may lead to serious casualties.



'Attention'  
improper use of this product may result in personal injury or financial loss.

\*Damage to property refers to damage to homes, furniture and livestock and pets.

#### ● Graphical identification



Indicates prohibited matter.



Indicates matters that must be observed



Indicates matters that must be noted

## Danger (for use and custody)

- People who do not use product as follow

May cause medical electronic equipment to malfunction

- ◆ The following medical electronic instruments are being used
  - Implanted medical electronic instruments, such as cardiac pacemakers.
  - Medical Electronic instruments such as artificial heart lung machines for life maintenance.
  - Wearable medical electronic instruments such as ECG Descriptors



Prohibited

## Caveat (for use and custody)

- People who do not use product as follow

Can cause accidents or malfunctions.

- People receiving treatment, developing people, acute patients, tuberculosis patients, fever patients, patients with hypertension and infectious diseases, patients with malignant tumors.
- Hematological patients, visceral diseases, skin diseases, allergies, hereditary dermatitis, skin problems, sensitive or fragile skin.
- Suffering from physical stimuli, etc., causing lesions, skin irritation and inflammation due to excessive sun exposure.
- Excessive fatigue, poor health, drunkenness, pregnancy, menstrual and lactation, and people taking sleeping pills.
- Patients with telangiectasia who are undergoing dental treatment for long-term use of steroid hormone drugs or liver dysfunction.

- Do not use for parts other than those specified.

Can cause accidents or malfunctions.

- Cut, The location of the plastic surgery, oral cavity, Vulva, Mucosa, acne, skin purulent inflammation
- Itchy reddish area, raised black sputum, viral sputum, larynx, eyeball, eyelid, head, nasal bone

\*When you can't judge, please consult a doctor before using it.



Prohibited

2

## Caveat (for use and custody)

- Do not use thin skin areas or upper bones for long periods of time.

May cause skin problems or affect health.

- Do not charge, use or place in fire and under heating and high temperatures.

This machine contains a rechargeable battery. May cause the main engine to heat, fire, damage.

- Do not bring sauna, high temperature steam and other environmental use

The increase in the temperature of the host may result in a low temperature burn or injury to the human body.



Prohibited

- Do not keep it in the bathroom or water for a long time.

Do not charge in the bathroom or near the water container.

May cause electric shock, short circuit, fire, main engine failure

- Prohibited to soak the machine in or wash it with water.

It may cause electric shock, short circuit, fire, or host malfunction.



No swimming

- Please put them in places where children can't touch and do not allow children to use them.

May cause an accident or human injury.



User restrictions

- Do not let mentally ill patients use it. Also, avoid using disabled people alone.

May cause an accident or human injury.

- Do not use it for any purposes other than those specified in the operating instructions.

May cause an accident or human injury.



Prohibited for other uses

- Please do not disassemble, repair and reform yourself.

May cause fire, electric shock and human injury.

Please consult the after-sales window of the sales store for maintenance matters.



Prohibition of disassembly

- Stop using odor and abnormal fever.

May cause electric shock, short circuit, fire or host malfunction.



It is forbidden to use odor and abnormal fever.

- Do not place or use dust-accumulating sites by the fire, in the hot sun. In addition, do not place it next to the heating appliance.

May cause the main engine to heat, fire, damage.



Pay attention to the fire

Do not approach the source of fire. In addition, do not place in direct sunlight or electric blankets.

May cause the main engine to heat, fire, damage.

3

- Use this product for the first time, use low gear before adapting  
The skin may feel pain



Always obey

- Do not place products in microwave ovens or high pressure containers.  
May cause the main engine to heat, fire, damage.



Attention to damage

- Do not put it in an unstable place.  
Do not drop or crash the machine  
May cause a host failure. In addition, if hit on the foot and so on can cause the injury.



No fall

## Attention (on use and custody)

- Thoroughly dry the host after use, make sure that there is no water stain on the host at the time of placement.  
May cause a host failure.
  - Do not place the main engine in hot water or the hot wind of the electric hairdryer.  
May cause the host to deform or melt the material.
  - Do not use, When cracks, coating peeling and roller failure occur on the main machine  
May cause pain in the skin
  - Do not wipe the main engine with alcohol, diluent, gasoline, nail water, etc.  
May damage the surface of the host.
  - Do not use on a button or buckle.  
May cause a host failure.
  - Do not use for pet care.  
Pets may be injured.
- 
- Please be sure to remove the jewelry (necklace, earrings, etc.) before nursing  
Jewelry may be involved in the roller
  - Be sure to remove makeup before doing Face Care  
When wearing makeup, the skin may be dark and dirty because of the base makeup.



Prohibited



Always obey

4

## Note (for use and custody)

- Do not allow the machine to touch the shower, strong water pressure faucet or put it in the water.  
This machine is splash proof waterproof specification (IPX4). This machine can not bear the strong water pressure of shower and faucet or put it into water, please do not deliberately spray water to it.  
May cause a breakdown of the machine.  
Be very careful when using water-side environments such as bathrooms.
- Be sure to follow the following items.  
Accidents, injuries and machine failures may occur.
  - Reasonable use according to skin condition.
  - Skin rash, inflammation, itching and other abnormal state, please do not use.
  - After sun, exfoliate and mask care, please do not use this machine.
  - Always turn off the power after use.
- Be sure to turn off the power after use.  
If you feel uncomfortable when using it, please stop using it immediately. If your skin becomes abnormal during and after use, stop using it and consult a doctor.
- Please be careful not to clip to the skin during use. Do not use it when the skin is tightly clamped.  
Roller rolling, the realization of grasp, relax the body. To avoid gripping the muscles, adjust the angle of care between the roller and the skin.
- When used for the first time and before adaptation, be sure to start at the lower gear. Also, don't barely raise the gear even if you don't feel the stimulus from the EMS.  
Be sure to adjust the gears step by step, otherwise it may cause accidents or personal injury.
- When the skin surface feels a tingling pain, adjust the low gear position or stagger the position. It can be used after moistening the skin with water, cosmetic water, gel and the like.  
When dry skin is used, it may cause pain in the skin.



Always obey

5

## Note (for use and custody)

- If you feel tired or abnormal in use, please stop using it immediately.  
The next day, if the skin still feels abnormal, please consult the after-sales window or professional doctor.
- If you have fillers in your teeth, please adjust the gear or stagger the position to use.  
EMS may cause irritation or discomfort on the cheeks and chin. If the discomfort is too strong, consult the dealer's after-sales window or professional doctor.
- Do not rub your skin hard. Especially when skin such as neck or upper arm is easily inserted into the part between roller wheels, do not use too much force. It can cause pain in the skin.
- After use, shake the main engine upright and remove excess moisture. Then fully dry the main engine and then place in the ventilated dry place.  
May cause host failure.
- No more than 10 minutes for the same part.  
If you need to switch on again to care for the same part, please use the next day.



6

## Caveat (About Power Supply )

- USB Power Charger is damaged. Do not use it.  
May cause electric shock, short circuit, fire or host malfunction.  
Please consult the after-sales window of the sales store for maintenance matters.
- If there is any abnormality, please turn off the power immediately.  
If it is charging, please turn off the power immediately  
Do not use abnormal conditions such as smoke, odor and abnormal noise.
- Connect the power adapter for use. When unplugging the power adapter from the socket, be sure to hold the front end when pulling out the plug (do not touch the metal part ).  
Also, do not plug or unplug the power supply with wet hands.  
May cause electric shock, short circuit, fire or host malfunction.
- Do not allow the charging device touch water (soak water or rinse with water)  
May cause electric shock, short circuit, fire or host malfunction.  
Please be careful not to pour liquids such as water on the charging device.  
If water splashes on the charging device, it may cause a short circuit or electric shock. Stop using it immediately and accept the repair.



- Do not damage, break, process, arbitrarily bend, pull, twist and tie the charging equipment.  
At the same time, do not pinch or place heavy objects on the charging device, as it may cause damage, fire or electric shock.



- Use 100–240V AC.  
When charging, be sure to confirm that the USB power cable is fully inserted.  
It may cause electric shock, short circuit, fire, or host malfunction.
- When charging, be sure to confirm that the USB power cable is fully inserted.  
May cause electric shock, short circuit, fire or host malfunction.
- Power must be turned off when not used or maintained  
May cause electric shock, short circuit, fire or host malfunction.



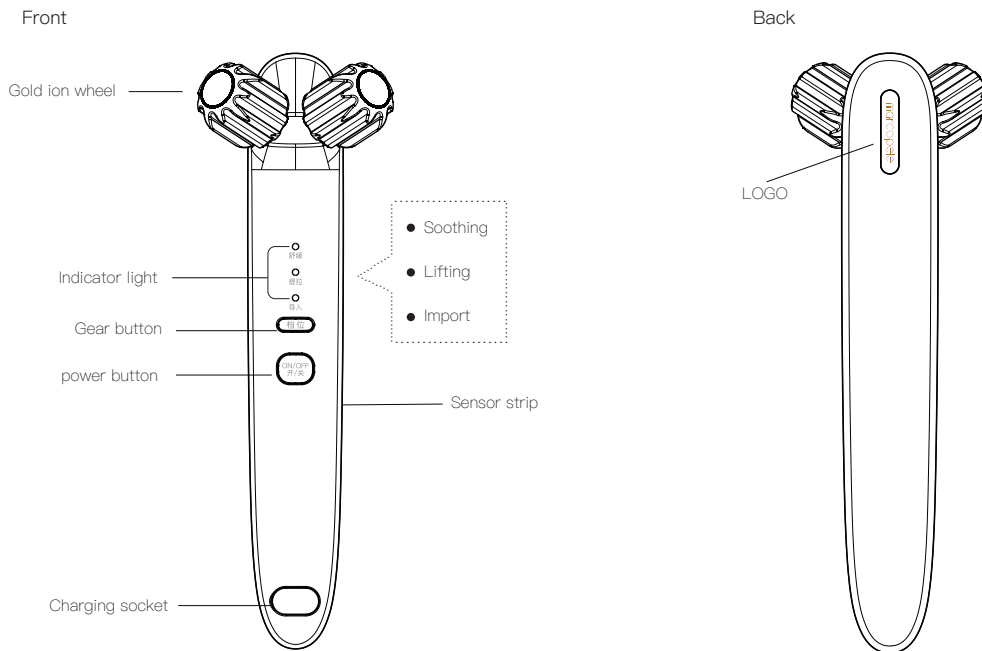
- Do not contact other beauty instruments or electrical products when starting up.  
Do not approach other heat source electrical appliances (electric towel, electric blanket, oven, etc.).  
May cause personal injury or an accident.



7

## Name and function of each part

### Main Body



8

## Accessories

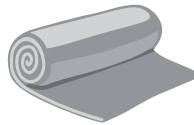
USB charging cable



velvet bag



cleaning cloth



instruction manual  
(with warranty card)

Certificate

## Function

### Pentagonal roller

A five-corner roller with a height difference of 0.986mm simulates the technique of pushing, kneading, knocking and pinching by professional masseurs.

### EMS

Stimulate muscle through myoelectric

### Microcurrent

Use a weak current to adjust the skin.

### Water-proof function

This machine is a splash-proof and waterproof specification (IPX4).

This product cannot withstand the strong water pressure of the shower and the faucet, cannot be placed in the water, take extra care when using it in a water environment such as in bathroom.

\*The charging socket is not waterproof.

9

## Before use

### Precautions when using

Please read the following precautions carefully before use to use the product correctly.

- Be sure to remove the jewelry (necklaces, earrings, etc.).  
Jewelry may be caught in the roller.
- Please tie your hair or fix it with a headband.  
Hair may be caught in it. The hair around the horns and the short hair must be fixed and reused.
- Be sure to remove makeup before using facial treatment.  
If you use it with makeup, it may cause darkness and dirtiness due to the makeup.
- Skin test must be performed when using this product for the first time.
- When the roller is wrapped around the hair, turn off the hair before removing it.
- The roller is equipped with EMS and micro current function. When using it on the face, please moisturize the skin with water or lotion, gel, etc. before use.
- When in use, the roller touches the skin, and the hand holding the product touches the sensor strip of the body to start, and feels the stimulation of EMS.

Please refer to the following usage time and frequency of use when using.

Soothing mode: about 10 minutes, up to 3 times a day.

Import mode: 5 minutes or so, 2-3 times a week.

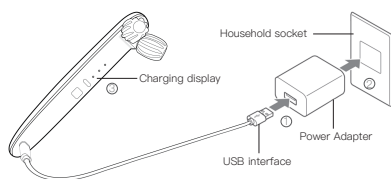
Lifting mode: about 10 minutes, up to 3 times a day, the same part of the operation should be more than 6 hours.

\*The above is for reference only. Please use while observing the skin condition.

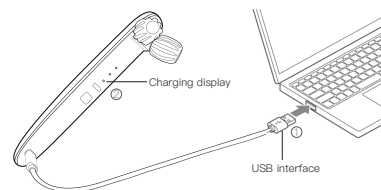
10

## About charging

When the connection socket is charged



When connecting to a computer to charge



\*Plug one end of the power cord into the charging jack, then plug the USB head into the USB port of the outlet or move the power to start charging.  
The red indicator lights up like breathes while charging.

When charging is complete, the indicator light turns green and bright.

When the room temperature is about 25 ° C, the battery is fully charged in about 2 hours. After the battery is fully charged, the instrument is continuously used for about 40 minutes. Charging time and usage time are slightly different due to different remaining power and charging environment.

Note: When the host and USB interface are wet, please dry thoroughly. If it is charged with residual moisture, it may cause electric shock, fire, and machine malfunction.

Please fully charge the battery before using it for the first time.

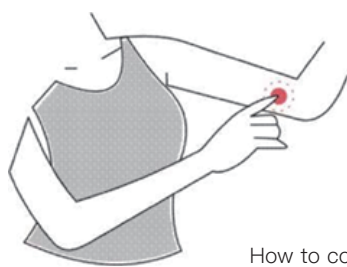
When it is used for the first time or when it is not used for a long time, it may be used only for a short period of time even if it is fully charged.  
At this time, it can be used after being recharged.

## Skin test

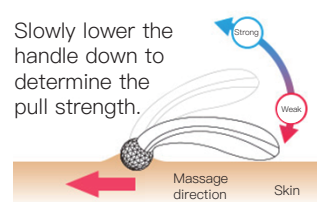
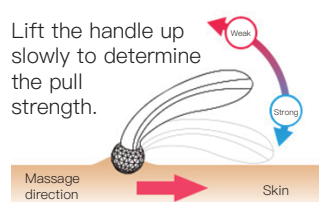
For the first time, first check if the skin can be used normally.

- Note:**
- To prevent skin problems, be sure to test them beforehand.
  - If abnormalities such as rash, redness, itching, or irritation occur in the affected area, stop using it immediately.
  - Do not use if the skin feels abnormal.

- 1 Wash the inside of the arm with soap and then dry it with a towel.
- 2 Moist or clean skin parts with water or lotion, gel, etc., after booting, use the import mode for 3 minutes. (Please be sure to test in 1st gear)
- 3 Check if the skin is abnormal. (If the skin does not have redness or hotness within 24 hours, you can use this product)



How to contact the skin



The intensity of the roller grip is different depending on the angle at which the roller contacts the skin and the direction of advancement. Please follow the above diagram and choose your preferred angle for care.

12

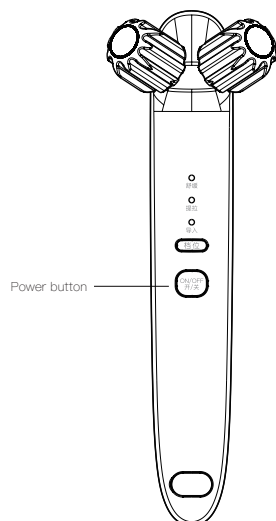
## Instructions

### Basic use

When used on the face, use it thoroughly with water, skin care products, gel, etc. before use.

\*If the skin is too dry, it may be difficult to have the body feel of EMS myoelectric stimulation.

- 1 **Boot**  
Press the switch key, the import mode is entered by default, the low level, the blue indicator lights up.



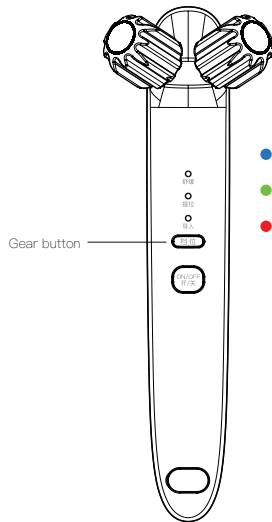
- 2 **Choose a care mode**  
Click on the switch and the mode switches as follows.  
Import mode (default low)  
Pull mode (default low)  
Soothing mode (default low)

Mode name	Functional principle
Import mode	The daily care essence is introduced to promote nourishment and deepen the skin, and to improve the dullness and pigmentation of the skin from the inside out.
Pull mode	EMS myoelectric stimulation technology, combined with a cross-configured 0.986mm high and low differential gear double pentagonal roller structure, can clearly transmit the stimulation of tapping to the bottom layer of the skin when touching the skin surface, exercise facial muscles, enhance skin elasticity, and shape clear upward facial contour lines.
Soothing mode	EMS stimulates muscles to autonomously expand and relax, promote metabolism, accelerate blood circulation, and achieve the massage technique of a professional masseur by pushing the dynamic action of a double pentagonal roller, pushing, kneading, knocking, pinching, relaxing the whole body muscles, reduce fatigue and promoting the body fully relax, while the body also eliminates fat and edema.

13

### 3 Choose the intensity of care

Click the gear button and the gear shifts as follows:



- Low, the indicator light is blue.
- Mid-range, indicator light shows green
- High-grade, the indicator light shows red

#### ⚠ Note:

Be sure to start from the low gear when using it initially. Do not choose to go through the high-grade for care.

### 4 The roller is lightly applied to the skin and used for rolling.

Adjust the angle of care between the roller and the skin according to your preferences.

Use it while adjusting the contact angle of the roller.

For example, the handle can be rolled without touching the skin. Can also stay in a certain part for continuous use.



For facial care, it is recommended to use the bottom to the top and roll from the center to the outside.

When using the wheel only, it does not need to be turned on.

#### ⚠ Note:

Do not press hard on the main unit.

14

### 5 Shutdown

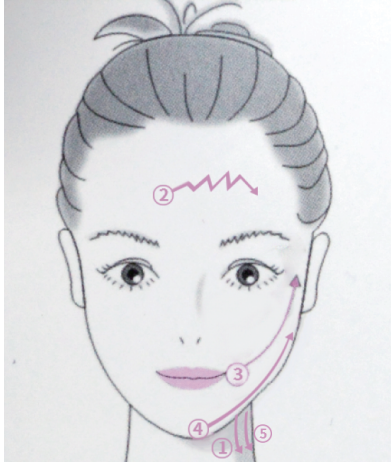
Click the switch key until the light is off to indicate that it is off.

#### ⚠ Note:

- Take care to avoid pinching your skin during use. Do not use the skin when it is tightly clamped.  
When the scroll wheel is rolled, it realizes the feeling of grasping and relaxing. When grasping the skin, to avoid being caught by the roller, please pay attention to the angle of care between the roller and the skin.
- If you feel tired or have abnormal skin, please stop using it immediately.  
If the symptoms are not relieved after the break, please contact the after-sales window. In case of emergency, you can consult a professional doctor.
- Do not rub hard on the skin. Especially in areas such as the neck or arm that are easily caught in the meat, please pay attention to the roll force when care skin, otherwise it can cause skin irritation.
- The care time in the same area is no more than 10 minutes.  
If you want to care same area again, please wait for more than 6 hours.



The face is used as shown below:



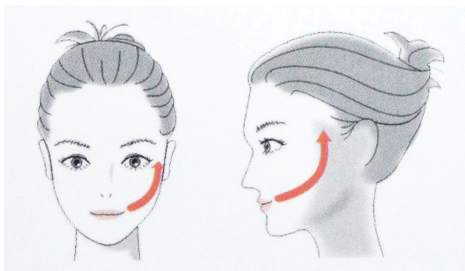
- ① Along the neck, scroll from top to bottom
- ② The middle of the forehead curving scroll to the temple direction
- ③ Scroll from the corner of the mouth to the back of the ear
- ④ Scroll along the contour line outline to the back of the ear
- ⑤ Along the neck, scroll from top to bottom

⚠ Note:

EMS may irritate the teeth. Do not use excessive pressure on the skin. It is recommended to use the staggered area. Especially when there are fillers in the teeth, more attention should be paid.

If you feel it, it means the skin is dry and lacks water. It is recommended to use the import mode with the mask, which will improve after one or two times.

Cheek



Use the roller to lift the skin  
Can be special used in the cheeks, mouth corners and other parts.

Nose



Can be fixed roll on one area to stimulate the muscles on both sides of the nose. Adjust to the appropriate gear position according to your personal comfort.

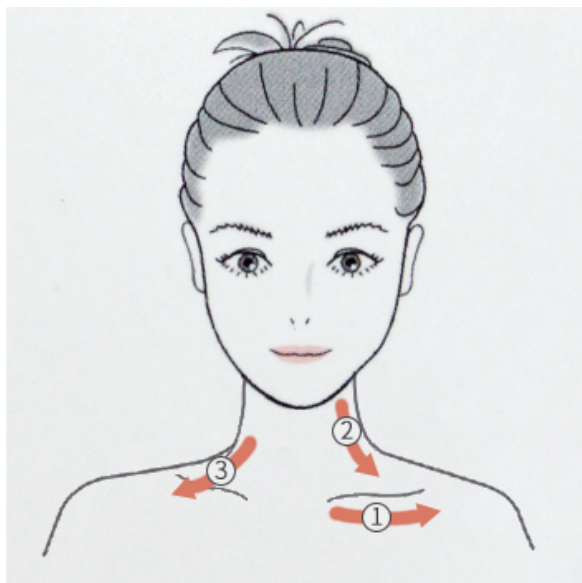
Facial contour



Use the roller to gently press and scroll from bottom to top. It works better along the contour line in the direction of the earlobe. Adjust to the appropriate gear position according to your personal comfort.

## When using on the scapula

As shown in the figure below, move in the direction of the arrow in the order of 1~3.



- ① 1. Move from inside to outside along the collarbone
- ② 2. Move from top to bottom along the neck
- ③ 3. Move from the head and neck junction to the outside

### ⚠ Note:

When using it for the neck, please be aware that the stimulation of EMS may be strong.

18

## After use

### Maintenance

After use, to keep the product body clean, please clean and maintain after each use.



#### WARNING

Always turn off the power when maintenance.

Failure to do so may result in electric shock, short circuit, fire, or malfunction of the main unit.

- ① 1. If the main unit is infected to residual moisture, move the machine upright and shake it up and down to remove moisture from the main unit.  
\*When shaking, be careful not to let the main unit fall.
- ② 2. Wipe the water on the main unit with a towel.  
Be sure to wipe the dry rollers and the moisture remaining on the charging port.  
If there is oil dripping between the roller and the roller, wipe it off with a paper towel.
- ③ 3. Let it dry in a ventilated place.  
If it is left with stains or moisture on the main unit when it is idle, it may cause malfunction or odor.

### ⚠ Note:

Do not wash.

Do not use alkaline detergent, alcohol, thinner, benzene, nail polish, etc. to clean the main unit.

### Custody method

After use, the moisture on the machine must be wiped clean and allowed to dry before being stored. If placed on the machine with moisture, it may cause corrosion inside the machine.

When not in use for a long time, please take care of the machine and keep it in a safe place.

Turn off the power of the machine when not in use, and remove the USB cable from the connector and store it.

Do not place in hot and humid places (fire, sun, bathroom, etc.). Please keep it in a well-ventilated and clean place.

Keep out of reach of children.

### Maintenance and inspection

When not in use for a long time, be sure to confirm that the product is working properly and safely before use.

When the product malfunctions, please refer to the "What is the time of the suspected malfunction" before submitting the repair to confirm the symptoms. If you cannot solve it yourself, please consult the customer service hotline.

When the product malfunction or is damaged, please consult the after-sales window.

## Notice

### When suspected malfunction

---

If you feel abnormal during the use of this product, please confirm the following before submitting the repair.

The following symptoms	Possible reasons and handle method
Cannot start	The battery has no electricity, please charge
Only use a few minutes even if charging	The battery level is reduced, please charge Battery life issues. Please consult the dealer or after-sales customer service
Can not be charged	Please connect the USB port and power supply correctly USB charging cable malfunction issue, please replace the USB charging cable
No working	Please check if the product battery level is low Does the hand have touch sensor strip?
EMS too strong (stinging pain)	The gear setting is too high, please lower the gear The low level must be used for the first time
EMS too weak	The gear setting is too low, please adjust the high position Please contact both rollers at the same time If the skin is dry, moisten it with water, lotion or gel before use
Feel no micro current	Micro current is weak, so the body feel is very small
How to charge without adapter	It comes with a USB power cable that can be connected to a mobile phone adapter or a computer

20

### Common question

---

Q: What are the criteria for using time and frequency of use?

A: Lifting and soothing mode, using about 10 minutes each time, up to 3 times a day.  
Import mode, about 5 minutes, 2~3 times a week.

\*The above is for reference only. Please use while observing the skin condition.

Q: Is it better to use some force when rolling the wheel?

A: Forced transition may cause skin pain. Especially when using the face, do not force the transition, please gently roll the roller. Roll the wheel with the force for which you feel comfortable.

Q: Can I use it in the bathroom?

A: This machine is a splash-proof waterproof type. It can be used in a water environment such as a bathroom. However, do not soak the product in water or rinse it with water from a shower or faucet. May cause machine malfunction.

If the skin is moist, the roller may make it difficult to pinch the skin.

In this case, use a roller to press the skin and adjust the strength of the roller to grip the skin.

Q: Can I use it in a sauna or a rock bath?

A: It is used in places where the temperature of the sauna or the rock bath is high, and there is a danger of being burnt. Please avoid using it under such circumstances.

Q: Can I use EMS when my skin is dry?

A: It may be difficult to feel the stimulation of EMS when the skin is dry.

If you feel the EMS is weak, please moisturize the skin with water, lotion or gel before use.

Q: Can sensitive skin be used?

A: Please use it at a less conspicuous position such as the upper arm to confirm the condition of the skin.

Use if there is no abnormality in the skin. When the skin feels abnormal, stop using it immediately.

Q: Can I use it with makeup?

A: The foundation may cause the skin to become dirty. Please use it after removing makeup.

## Product specifications

---

Rated voltage 3.7V

Rated current 70mA

Charging voltage 5V

Charging current 180mA

Battery capacity 180mAh

Use battery: lithium rechargeable battery

Charging time: about 2 hours \* Charging time is slightly different due to different charging environment.

Waterproof grade: IPX4

Device dimensions: 15\*2.5\*4cm

Product weight: 67.5g

Material: Main device: ABS resin, roller: 6063T5 aluminum (plated gold)

Place of Origin: Guangzhou, China

Accessories: 1pcs USB power cord, 1pcs velvet bag, cleaning cloth, instruction manual (with warranty card), certificate

22

## After sales service

---

### Rechargeable Battery

- The rechargeable battery is a consumable. (not covered by warranty)
- Battery life can be considered occur issue when using for a very short time after charging. (The number of charging is about 300 times)
- When needing to replace the rechargeable battery, please consult the brand for after-sales service.

### About discarding

- When disposing of this product, should dispose of it in accordance with local regulations.
- This product uses a lithium battery.

### Customer service hotline

If you have any questions about the warranty and repair of this product, please contact the following customer service hotline 400-808-5803.

### Manufacturer

Guangzhou Langyou Technology Co., Ltd.

Add: Room 301, Building A, Nineteenth Industrial Park, Xiachongbian, Dalang Middle Road, Baiyunhu Street, Baiyun District, Guangzhou, China

Tel: 020-34142043

## Environmental statement

1. This product meets the requirements of the "Administrative Measures on the Restricted Use of Hazardous Substances in Electrical and Electronic Products".
2. During the period of environmental protection use, consumers will not be exposed to harmful substances such as leakage or precipitation of harmful substances during normal use, and can be used with confidence.
3. The environmental protection use period of the company's products is 10 years. Only when the product is used under the normal conditions described in this manual, the "environmental use period" is valid.

The name and content of harmful substances in the product

Part Name / Hazardous Substances	Pb	Hg	Cd	Cr	PBB	PBDE
Plastic components	○	○	○	○	○	○
Connecting wire	X	○	○	○	X	X
Motor assembly	○	○	○	X	X	X
Circuit board	X	○	○	X	○	○
Power Cable	X	○	○	○	X	X
Hardware components	○	○	X	X	○	○

This table is prepared in accordance with the provisions of SJ T11364

O: Indicates that the content of the hazardous substance in all homogeneous materials of the part is below the limit requirement specified in GB/T26572.

X: Indicates that the content of the hazardous substance in at least one of the homogeneous materials of the part exceeds the limit requirement specified in GB/T26572.

(Note: Some of the above-mentioned components marked with "X" exceed the standard due to the current technical level of the industry, and it is temporarily impossible to replace or reduce it.)



## Battery environmental protection

The battery must be removed from the appliance before it is discarded.

When removing the battery, the appliance must be powered off.

The battery should be disposed of safely.

If you intend to dispose of this product yourself, you must remove the battery and dispose of it according to local regulations.

Run the tool to discharge the battery until the motor stops;

Remove the silicone pad from the bottom position;

Use a screwdriver to carefully pry the back cover from the rear and remove it;

Remove the five screws that secure the fuselage and remove the plating cap;

Lift the battery pack/motor assembly;

Disassemble all leads of the battery pack/motor assembly;

Remove the battery pack/motor assembly;

Place the battery in a suitable package to ensure that the electrodes are not shorted;

Send the battery to a repair agent or local recycling station;

Once the battery is removed, it cannot be replaced.

## Quality warranty

- In case of malfunction during normal use, the warranty shall be within 1 year from the date of purchase (excluding consumables and accessories). In addition, customers may be required to bear the shipping cost if out of the warranty period.
- For that malfunction occurred out of the warranty period, repairs are charged at actual cost.
- If a malfunction occurs, please consult the brand side after-sales service window.

### Free maintenance regulations

1. Provide free maintenance when a malfunction occurs in the case of normal use according to operating instructions and the label attached to the product etc.
2. Please bring this product and purchase voucher or order number when there is a malfunction during the warranty period for free maintenance.
3. Even during the warranty period, the following conditions will be charged for repairs.
  - 1) Malfunction and damage due to operational errors or improper repairs and modifications.
  - 2) Malfunction and damage caused by tipping or falling after purchase.
  - 3) Malfunction and damage caused by natural disasters such as fires, earthquakes, and floods, pollution, and voltage abnormalities.
  - 4) Malfunction and damage due to abnormalities in other connected electrical appliances.
  - 5) When replacing parts such as batteries, consumables, and accessories.
  - 6) Malfunction or damage occurs outside of the ordinary home (for example, for long-term use due to commercial use).
  - 7) Malfunction or damage occurs when riding a vehicle, ship, etc.

\*This warranty card promises to be repaired free of charge within the stated warranty period and conditions. Therefore, the essence of the book does not limit the legal rights of the customer.

For repairs after the expiration of the warranty period, please consult the after-sales service if you have any questions.

\*Charges for deterioration, consumption, and consumables replacement due to improper use.

NO. \_\_\_\_\_

## Warranty Card

Category	Household Face Beauty Instrument		Model No.	MP1023
Product Name	EMS ROLLER FACE MASSAGER			
Warranty	Object	Date		
	Only for device	1 year from the date of purchase		
Purchase Shop Name				
Order Number:				
Recipient Information:				



This warranty card promises to be repaired free of charge based on the recorded content.

When device occur malfunction and within the 'warranty period' of the left list, please bring this product and this warranty card to apply for repair.

\* Unable to provide purchase information, this warranty card is invalid

\* Loss of this warranty card will not be reissued, please keep it in a safe place.