

CG-MAX

MAX EFFICIENCY WHEEL™

A Colson Group Product

WHEEL & CASTER SELECTION

CG-MAX wheels can be purchased alone or in one of our trusted industrial caster solutions. Below is an overview of the wheels and popular series featuring CG-MAX wheels. More info and free CAD models available at www.albioncasters.com/CG-MAX.

MATERIAL: Polyurethane on Aluminum (Round Tread)

DUROMETER: 85A
TEMP. RANGE: -40°F to 180°F

Maroon Wheel

Wheel Diameter (Inches)	Tread Width (Inches)	Capacity (Lbs) <small>(Rated for manual operation)</small>	Hub Length (Inches)	Bore ID (Inches)	Bearing ID (Inches)	Approx. Wt. (Lbs)	Part Number <small>Precision Ball</small>
4	2	800	2-7/16	1-9/16	1/2	1-1/2	AX0422808MAX
5	2	1000	2-7/16	1-9/16	1/2	2	AX0522808MAX
6	2	1250	2-7/16	1-9/16	1/2	3	AX0622808MAX
8	2	1500	2-7/16	1-9/16	1/2	4	AX0822808MAX

Orange Wheel

Wheel Diameter (Inches)	Tread Width (Inches)	Capacity (Lbs) <small>(Rated for manual operation)</small>	Hub Length (Inches)	Bore ID (Inches)	Bearing ID (Inches)	Approx. Wt. (Lbs)	Part Number <small>Precision Ball</small>
4	2	800	2-7/16	1-9/16	1/2	1-1/2	AN0422808MAX
5	2	1000	2-7/16	1-9/16	1/2	2	AN0522808MAX
6	2	1250	2-7/16	1-9/16	1/2	3	AN0622808MAX
8	2	1500	2-7/16	1-9/16	1/2	4	AN0822808MAX

MEDIUM HEAVY DUTY

16 SERIES CASTERS



Tread Width: 2"
Capacity: Up to 1,250 lbs.
Wheel Diameters: 4", 5", 6", and 8"
Brake: Total Lock, Grip Lock, Face, Single/Double Sided, Poly Cam, Swivel Lock

MAINTENANCE FREE MEDIUM HEAVY DUTY

18 SERIES ERGONOMIC PRECISION CASTERS



Tread Width: 2"
Capacity: Up to 1,250 lbs.
Wheel Diameters: 4", 5", 6", and 8"
Brake: Face, Swivel Lock

68 SERIES KINGPINLESS CASTERS



Tread Width: 2"
Capacity: Up to 1,500 lbs.
Wheel Diameters: 6" and 8"

HEAVY DUTY

KINGPINLESS
For Shock and Impact

110 CONTENDER KINGPINLESS SERIES CASTERS



Tread Width: 2"
Capacity: Up to 1,500 lbs.
Wheel Diameters: 4", 5", 6", and 8"
Brake: PLB, Face, Single Sided/Double Sided, Poly Cam, Swivel Lock

170 SERIES ECONOMICAL KINGPINLESS CASTERS



Tread Width: 2"
Capacity: Up to 1,500 lbs.
Wheel Diameters: 4", 5", 6", and 8"
Brake: Single/Double Sided, Face, Swivel Lock

SPRING LOADED

KINGPINLESS
For Shock and Impact

141 SERIES CONTENDER KINGPINLESS POLY SPRING CASTERS



Tread Width: 2"
Capacity: Up to 1,500 lbs.
Wheel Diameters: 5", 6", and 8"

DUAL WHEEL

KINGPINLESS
For Shock and Impact

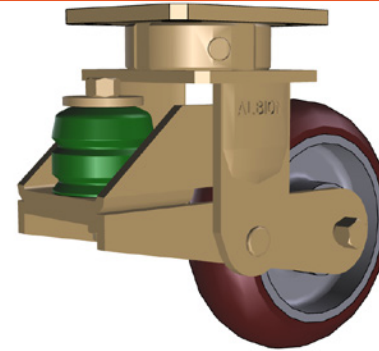
115 SERIES KINGPINLESS CASTERS



Tread Width: 2" each wheel
Capacity: Up to 2,000 lbs.
Wheel Diameters: 4", 5", 6", and 8"

3D CAD MODELS & DATASHEETS

AVAILABLE ONLINE



Explore Online
Visit AlbionCasters.com

or On-the-Go



Search "Caster CAD 3D"

//// //// www.AlbionCasters.com //// ////



800 North Clark Street, Albion, MI 49224
Phone: 800-835-8911

© Copyright 2020 | Colson Group
Specifications subject to change without notice.

ALBION

THE CASTER EXPERTS

INTRODUCING THE MOST EFFICIENT WHEEL IN ITS CLASS



CG-MAX WHEELS TAKE:

Ergonomics to the **MAX!**
Wheel longevity to the **MAX!**
Your purchasing power to the **MAX!**

CG-MAX

MAX EFFICIENCY WHEEL™

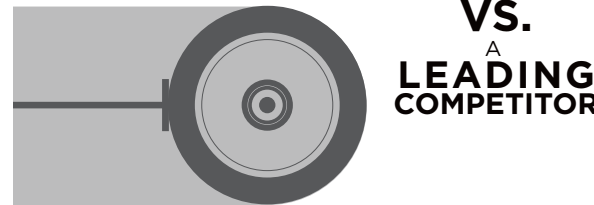
A Colson Group Product

The **CG-MAX** wheel was designed and formulated to outperform, outlast, and take **customer efficiency to the MAX**. With best-in-class ergonomics and durability, this versatile polyurethane on aluminum wheel will drive new value into your operations. From improved material flow to safer workplaces, we encourage you to experience the real impact **CG-MAX** casters will have on your business today!

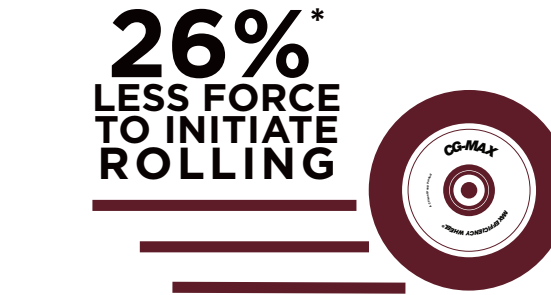


What do hundreds of hours in R&D material formulation, process optimization, and testing produce?

MEASURABLE RESULTS.



Section 6.9 Dynamic Tests
ANSI ICWM-2018
Performance & Testing Requirements



Section 6.3 Rollability Tests
ANSI ICWM-2018
Performance & Testing Requirements



For more information, free CAD models, or quotes, please visit:

www.albioncasters.com/CG-MAX

WHY CG-MAX?

-  **Throughput:** increase material flow and reduce user fatigue with easier rolling equipment
-  **Safety:** a more ergonomic and quiet caster reduces the risk of user injury
-  **Downtime:** longer lasting wheels with no required maintenance reduces unwanted maintenance hours
-  **Protection:** non-marking with excellent resilience, CG-MAX rejects debris and better protects equipment and flooring
-  **Purchasing Power:** spend less \$ on replacements and maintenance with a wheel proven to outlast

Also Featuring:
Patent-pending top hats that reduce assembly labor and environmental waste



ANSI ICWM-2018: TESTED

*Dynamic life and ergonomic comparative tests conducted to ANSI ICWM-2018 Performance and Testing Requirements (sections 6.9 and 6.3) in a Colson Group test facility. All sizes were tested at various capacities up to their maximum capacity to determine the average 26% ergonomic advantage; results may vary by customer due to equipment and flooring variables. All sizes were tested in dynamic life testing; the lowest comparative advantage value was used to claim 2x life advantage, although some results were significantly higher. Premium Colson Group rigs were used in all tests to ensure proper controls were in place.