

ENCORE[®] STAINLESS

Where Economy MEETS QUALITY



Introducing
**ENCORE
4 Series**
STAINLESS STEEL

Colson's NEW Encore 4 Series Stainless Steel Lineup—the very best-for-the-price when quality, durability and performance still matter.

Constructed of 304 grade stainless steel, these casters are the perfect fit for environments that require frequent wash-downs or exposure to chemicals and other corrosive elements.

TYPICAL APPLICATIONS INCLUDE:

- Food processing
- Hospitality
- Medical
- Laboratory
- Food service
- Marine Environments
- Pharmaceuticals
- Material Handling and **much more!**

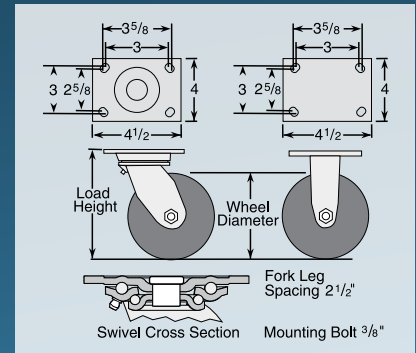


www.EncoreCaster.com



4 Series ENCORE STAINLESS STEEL

DIMENSIONS



FEATURES

- Electro-polished stainless steel construction (Grade 304)
- 3/16" thick stainless steel top plate and fork legs for durability
- Permanent rivet kingpin with 5/8" diameter rivet
- Grease fittings: wheel bearing and swivel raceway
- Ideal for harsh environments where frequent wash downs, chemicals and other corrosive elements cause zinc plated casters to rust or corrode

OPTIONAL BEARINGS

Delrin Bearing

For standard two-piece bearing change 10th digit to "1" (Example: E4.06149.921.7). One-piece with steel thrust washers (Specify **WB11**).

Pedestal Precision Ball Bearing (PPBB)

To order change 10th digit in model number to "5" (Example: E4.06149.475).

Encore 4 Series Casters • Stainless Steel Top Plate Swivel & Rigid • Capacity to 900 lbs

Wheel Dia.	Tread Width	Capacity Each (Pounds)	Wheel Descriptions	Swivel Top Plate Roller Bearing Caster Models	Rigid Top Plate Roller Bearing Caster Models	Optional Bearings (Order information left of chart)	Load Height	Swivel Radius	Weight lbs (Rigid Deduct 1.5)
4"	2"	280	Ecoforma Rubber (Flat/Grey)	E4.04149.479	E4.04148.479	Delrin, PPBB	5 5/8"	3 7/8"	4 1/2
		480	Ecopoly	E4.04149.929.7	E4.04148.929.7	Delrin	5 5/8"	3 7/8"	4 3/4
		500	Polyolefin	E4.04149.839	E4.04148.839	Delrin, PPBB	5 5/8"	3 7/8"	4
		640	Glass Filled Nylon	E4.04149.539	E4.04148.539	Delrin	5 5/8"	3 7/8"	4 1/4
5"	2"	300	Ecoforma Rubber (Flat/Grey)	E4.05149.479	E4.05148.479	Delrin, PPBB	6 1/2"	4 1/2"	4 7/8
		600	Ecopoly	E4.05149.929.7	E4.05148.929.7	Delrin	6 1/2"	4 1/2"	4 7/8
		600	Polyolefin	E4.05149.839	E4.05148.839	Delrin, PPBB	6 1/2"	4 1/2"	4 3/8
		800	Glass Filled Nylon	E4.05149.539	E4.05148.539	Delrin	6 1/2"	4 1/2"	4 5/8
6"	2"	360	Ecoforma Rubber (Round/Grey)	E4.06149.579	E4.06148.579	Delrin, PPBB	7 1/2"	5 5/16"	5 1/8
		480	Ecoforma Rubber (Flat/Grey)	E4.06149.479	E4.06148.479	Delrin, PPBB	7 1/2"	5 5/16"	5 1/4
		600	Polyolefin	E4.06149.839	E4.06148.839	Delrin, PPBB	7 1/2"	5 5/16"	4 3/4
		720	Ecopoly	E4.06149.929.7	E4.06148.929.7	Delrin	7 1/2"	5 5/16"	5 3/8
		900	Glass Filled Nylon	E4.06149.539	E4.06148.539	Delrin	7 1/2"	5 5/16"	5
8"	2"	480	Ecoforma Rubber (Round/Grey)	E4.08149.579	E4.08148.579	Delrin, PPBB	9 1/2"	6 13/16"	6
		540	Ecoforma Rubber (Flat/Grey)	E4.08149.479	E4.08148.479	Delrin, PPBB	9 1/2"	6 13/16"	6 1/4
		800	Ecopoly	E4.08149.929.7	E4.08148.929.7	Delrin	9 1/2"	6 13/16"	5 1/2
		800	Polyolefin	E4.08149.839	E4.08148.839	Delrin, PPBB	9 1/2"	6 13/16"	5 1/4
		900	Glass Filled Nylon	E4.08149.539	E4.08148.539	Delrin	9 1/2"	6 13/16"	5 3/4

WHEEL SELECTION



Ecoforma Flat/Grey

Ecoforma Round/Grey

Glass Filled Nylon

Ecopoly

Polyolefin

BRAKE OPTIONS



Tech Lock Swivel models. (Specify **BRK2**).

Top Lock Swivel and rigid models. (Specify **BRK7**).

