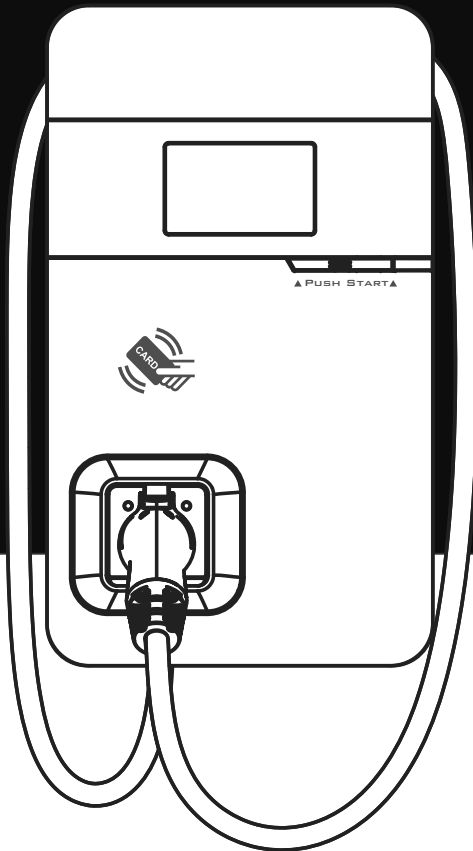
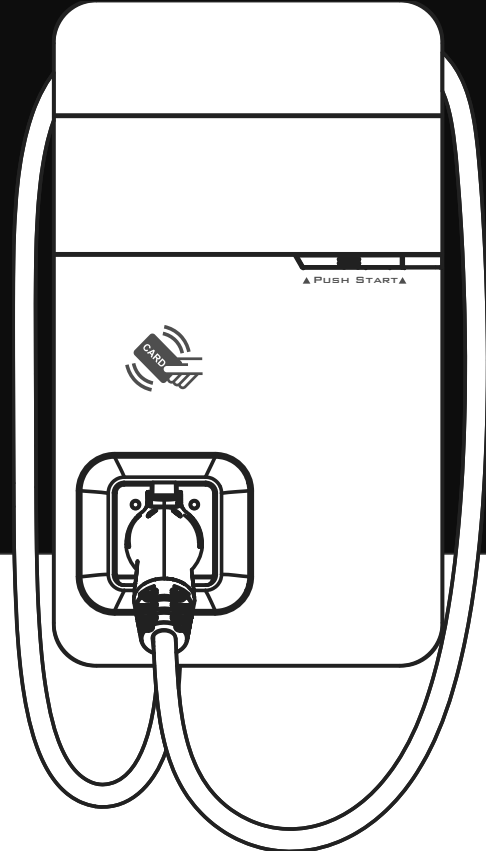


Watti Pro 80A Installation Guide & User Manual



High-End Edition



Classic Edition



NEMA 4R



Authorization



Management



Repairable



Outdoors

CONTENT

1. Important Safety Instructions	1
2. Federal Communication Commission Interference Statement	3
3. Industry Canada statement:	5
4. Interface	7
4.1 High-End Edition	7
4.2 Classic Edition	8
4.3 Bottom Case and Wire box.....	9
5. Dimensions (unit:mm)	10
6. Specification	11
7. Status Description of the Charger Indication Lights	12
8. Screen Instructions	13
9. Installation Instructions	15
9.1 Contractor Safety guide	15
9.2 Safety Requirements	20
9.3 Power Grid Connection and Grounding Type	21
9.4 Packing List	23
9.5 Tools and Materials Required	24
9.6 Wall-Mount Bracket Installation Requirements.....	24
9.7 Installation Requirements.....	25
9.8 Installation Steps	25
10. Charger Standard Setting	35
10.1 Time Setting	35
10.2 Wi-Fi Setup	37
10.3 4G Setup (for the optional 4G Edition).....	38
10.4 Re-checking the Wi-Fi and 4G Signal Strength on Power-Up	39
11. Local Load Balance Mode	41
11.1 Introduction	41
11.2 Local load balancing setup instructions	42
11.3. Local Area Network.....	44
12. Operating Instructions	50
12.1 Error and Warning Message	52
13. Maintenance and Repair	54
13.1 Daily Maintenance	54
13.2 Maintenance Spares.....	54
13.3 Warranty and Maintenance.....	55
13.4 Maintenance History	59

1. Important Safety Instructions

Please read all Important Safety Instructions as well as charging instructions in your vehicle owner's manual before attempting to charge your electric vehicle. Failure to do so can result in death or severe injury. Save this user manual for future reference. There are many safety features built into the charger. Read all the safety information and warnings in this manual to avoid any risks or hazards and risks associated with using this charger.



Warning

When using electric products, basic precautions should always be followed. This manual contains important instructions, including the following, which must be followed during installation, operation and maintenance.

- Do not install or use the charger near flammable, explosive, corrosive, or combustible materials, chemicals, or vapors.
- Turn off the input power of the charger before performing any maintenance on the charger.
- The device is designed only for vehicles that are compatible with the SAE J1772 Level 2 charging standard.
- Do not use the charger if it is defective, or if it appears cracked, frayed, broken, or damaged.
- Do not attempt to open, disassemble, repair, tamper with, or modify the charger. Contact our Customer Service department if you have any questions or require the replacement or repair of any parts.
- Do not use the charger when either you, the vehicle or charger is exposed to severe rain, snow, or other severe weather.
- When transporting the charger, handle it with care and do not drag or step on the device.
- Do not touch the charging connector terminal with any sharp metallic objects, in order to prevent damage.
- Do not forcefully pull the charging cable, damage it with sharp objects, or place fingers or insert foreign objects into any part of the charging connector.

-
- Risk of explosion. This device has arcing or sparking parts that should not be exposed to flammable vapors.
 - Risk of electric shock. Do not remove the cover or attempt to open the enclosure of this device. There are no user-serviceable parts inside. Contact a qualified service company if you require any service repairs.
 - To reduce the risk of fire, connect only to a circuit provided with 60 amperes maximum branch circuit overcurrent protection in accordance with the national Electrical Code, ANSI/NFPA 70, and the Canadian Electrical Code, Part I, C22.1
 - This charger should be installed, adjusted, and serviced by a qualified electrician or a person familiar with the construction and operation of this type of charger and the dangers involved. Failure to observe this precaution could result in damage to the charger, or even severe injury or death.
 - Incorrect installation and testing of the charger could potentially damage either the vehicle's battery and the charger. This type of damage is not covered by our warranty policy.
 - Ensure that the charging cable is well-positioned during the charging process, to avoid the cable getting stepped on, tripped over, or subjected to damage or stress.
 - Do not use this charger with a frayed charging cable having damaged insulation or any other sign of damage.
 - Ensure that the wire type, diameter, current rating, and temperature rating comply with the local electrical standards and requirements in your local area.
 - Before starting the installation, turn off all power.
 - For permanently connected equipment, protective grounding and bonding terminals-field wiring terminals for connection of equipment-grounding conductors are identified by: "G," "GR," "GND," "Ground," "Grounding" or the ground symbol, either on a wiring diagram provided on the unit, or a marking on the wiring diagram attached to the unit.
 - This device should be supervised when used around children.
 - Do not put fingers into the electric vehicle connector
 - The device is not to be lifted or carried by either the flexible cord or the EV cable

2. Federal Communication Commission Interference Statement

This device complies with Part 15 of the FCC Rules. Operation is subject to the following two conditions: (1) This device may not cause harmful interference, and (2) this device must accept any interference received, including interference that may cause undesired operation.

This equipment has been tested and found to comply with the limits for a Class B digital device, pursuant to Part 15 of the FCC Rules. These limits are designed to provide reasonable protection against harmful interference in a residential installation. This equipment generates, uses and can radiate radio frequency energy and, if not installed and used in accordance with the instructions, may cause harmful interference to radio communications. However, there is no guarantee that interference will not occur in a particular installation. If this equipment does cause harmful interference to radio or television reception, which can be determined by turning the equipment off and on, the user is encouraged to try to correct the interference by one of the following measures:

- Reorient or relocate the receiving antenna.
- Increase the separation between the equipment and receiver.
- Connect the equipment into an outlet on a circuit different from that to which the receiver is connected.
- Consult the dealer or an experienced radio/TV technician for help.

FCC Caution: Any changes or modifications not expressly approved by the party responsible for compliance could void the user's authority to operate this equipment

This transmitter must not be co-located or operating in conjunction with any other antenna or transmitter.

Radiation Exposure Statement:

This equipment complies with FCC radiation exposure limits set forth for an uncontrolled environment. This equipment should be installed and operated with minimum distance 20cm between the radiator & your body.

3. Industry Canada statement:

This device complies with ISED's licence-exempt RSSs. Operation is subject to the following two conditions: (1) This device may not cause harmful interference, and (2) this device must accept any interference received, including interference that may cause undesired operation.

Le présent appareil est conforme aux CNR d' ISED applicables aux appareils radio exempts de licence. L'exploitation est autorisée aux deux conditions suivantes : (1) le dispositif ne doit pas produire de brouillage préjudiciable, et (2) ce dispositif doit accepter tout brouillage reçu, y compris un brouillage susceptible de provoquer un fonctionnement indésirable.

Radiation Exposure Statement:

This equipment complies with ISED radiation exposure limits set forth for an uncontrolled environment. This equipment should be installed and operated with greater than 20cm between the radiator & your body.

Déclaration d'exposition aux radiations:

Cet équipement est conforme aux limites d'exposition aux rayonnements ISED établies pour un environnement non contrôlé. Cet équipement doit être installé et utilisé à plus de 20 cm entre le radiateur et votre corps.

This device is intended only for OEM integrators under the following conditions: (For module device use)

The antenna must be installed and operated with greater than 20cm between the antenna and users, and

The transmitter module may not be co-located with any other transmitter or antenna.

As long as the 2 conditions above are met, further transmitter test will not be required. However, the OEM integrator is still responsible for testing their end-product for any additional compliance requirements required with this module installed.

Cet appareil est conçu uniquement pour les intégrateurs OEM dans les conditions suivantes: (Pour utilisation de dispositif module)

L'antenne doit être installé et exploité avec plus de 20 cm entre

l'antenne et les utilisateurs, et

2) Le module émetteur peut ne pas être coïmplanté avec un autre émetteur ou antenne.

Tant que les 2 conditions ci-dessus sont remplies, des essais supplémentaires sur l'émetteur ne seront pas nécessaires. Toutefois, l'intégrateur OEM est toujours responsable des essais sur son produit final pour toutes exigences de conformité supplémentaires requis pour ce module installé.

IMPORTANT NOTE:

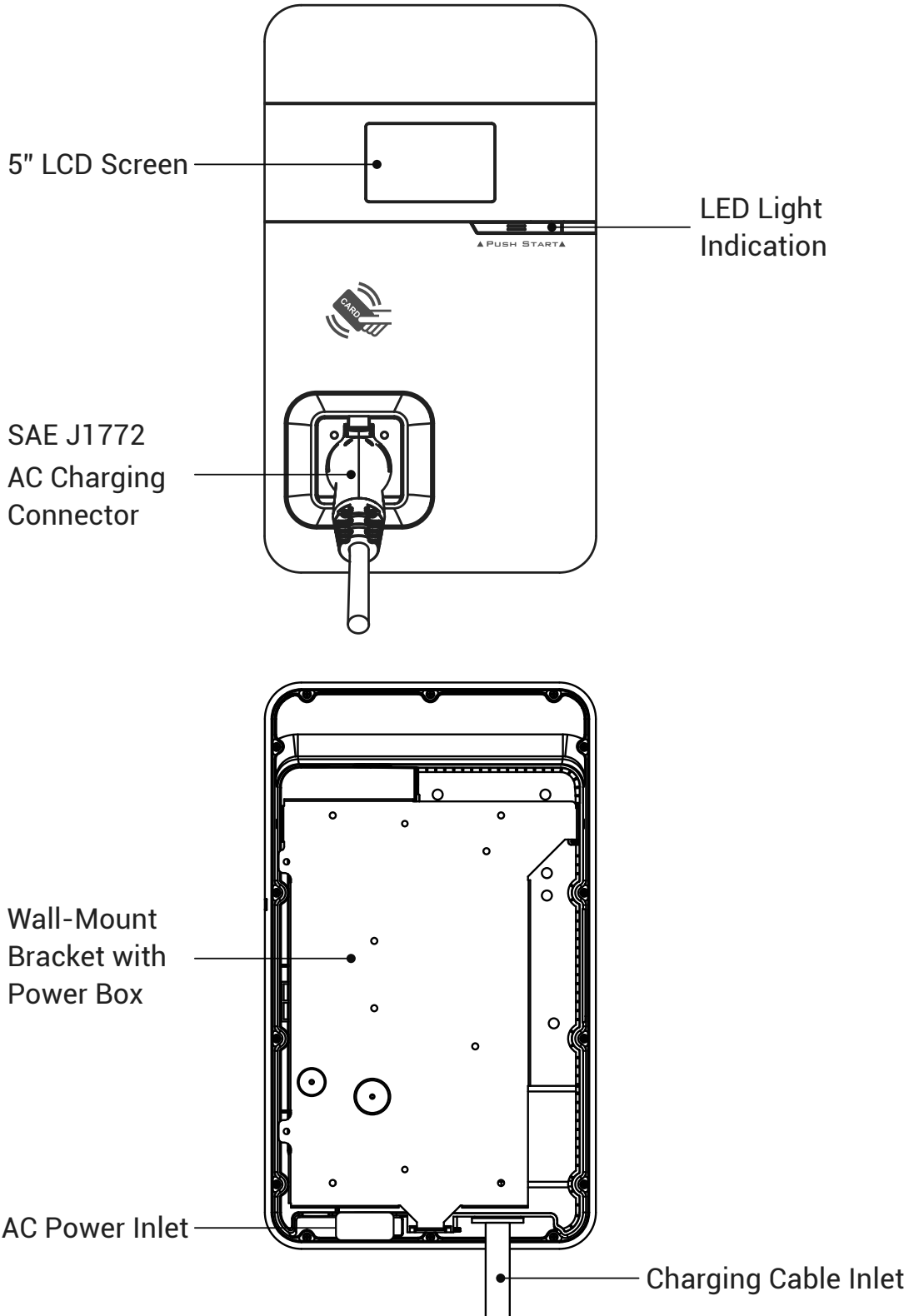
In the event that these conditions cannot be met (for example certain laptop configurations or co-location with another transmitter), then the Canada authorization is no longer considered valid and the IC ID can not be used on the final product. In these circumstances, the OEM integrator will be responsible for re-evaluating the end product (including the transmitter) and obtaining a separate Canada authorization.

NOTE IMPORTANTE:

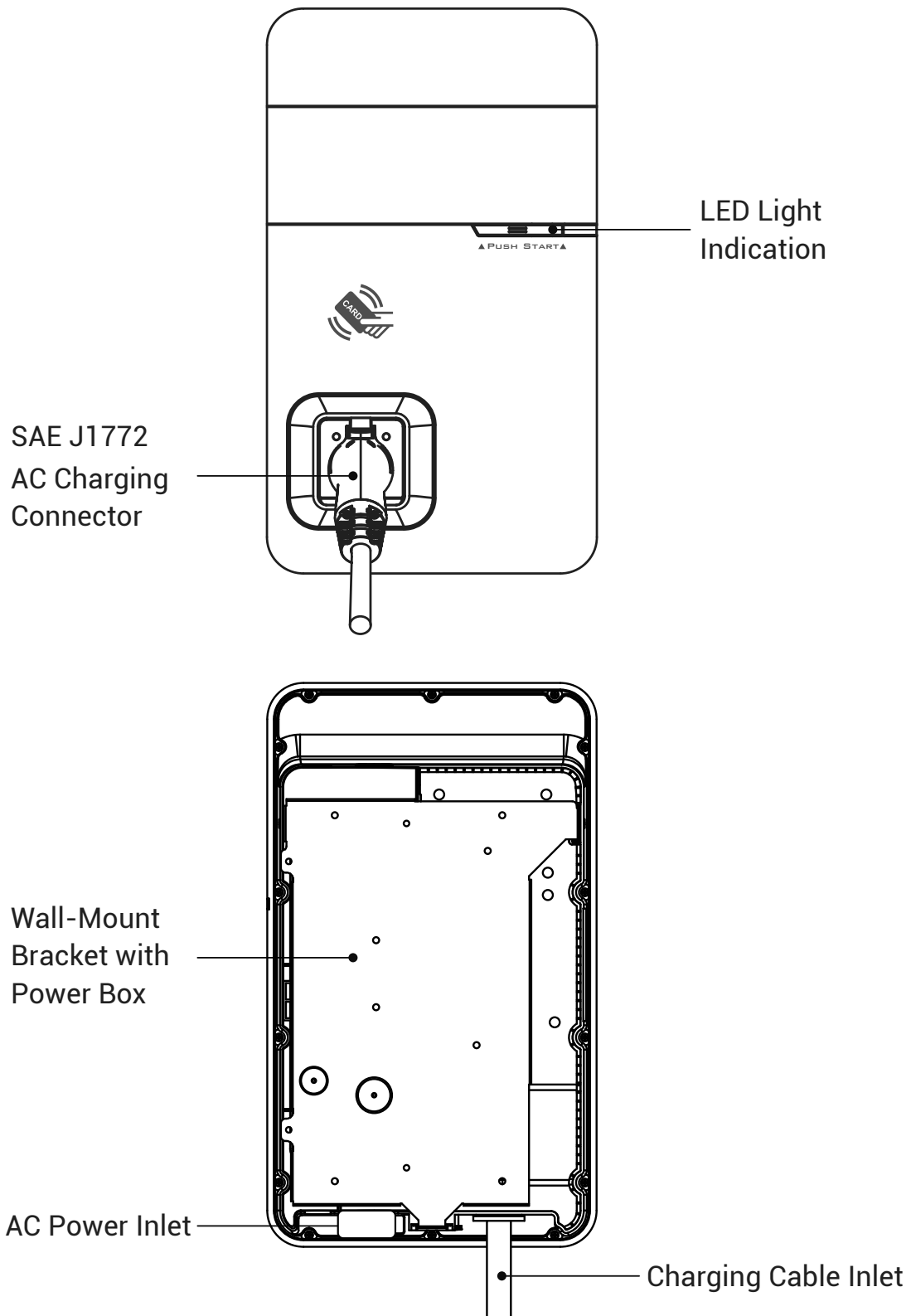
Dans le cas où ces conditions ne peuvent être satisfaites (par exemple pour certaines configurations d'ordinateur portable ou de certaines co-localisation avec un autre émetteur), l'autorisation du Canada n'est plus considéré comme valide et l'ID IC ne peut pas être utilisé sur le produit final. Dans ces circonstances, l'intégrateur OEM sera chargé de réévaluer le produit final (y compris l'émetteur) et l'obtention d'une autorisation distincte au Canada.

4. Interface

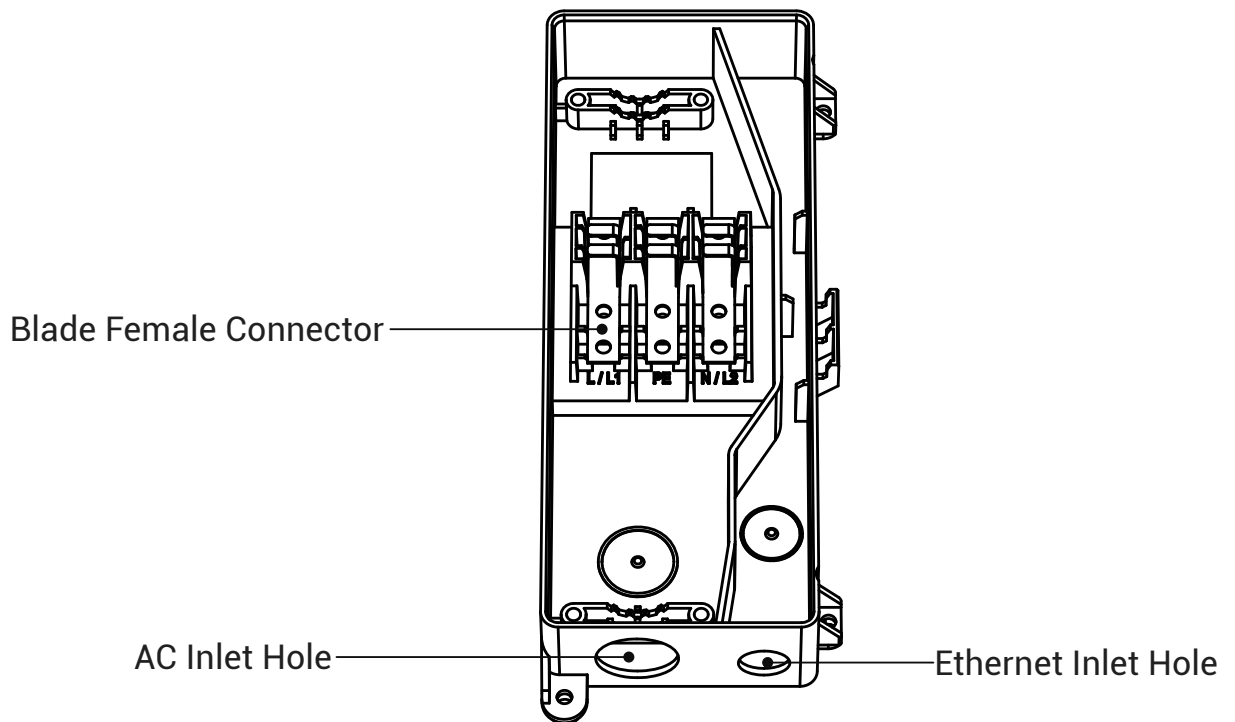
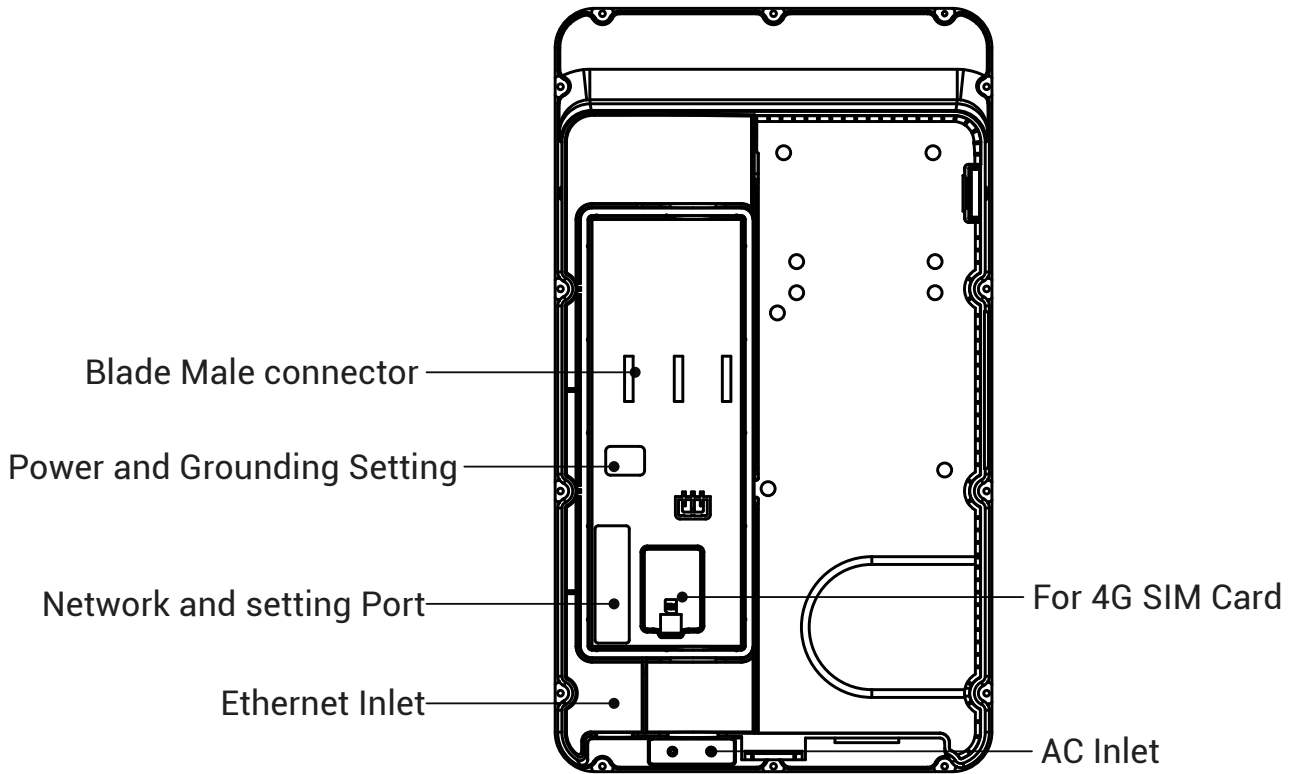
4.1 High-End Edition



4.2 Classic Edition

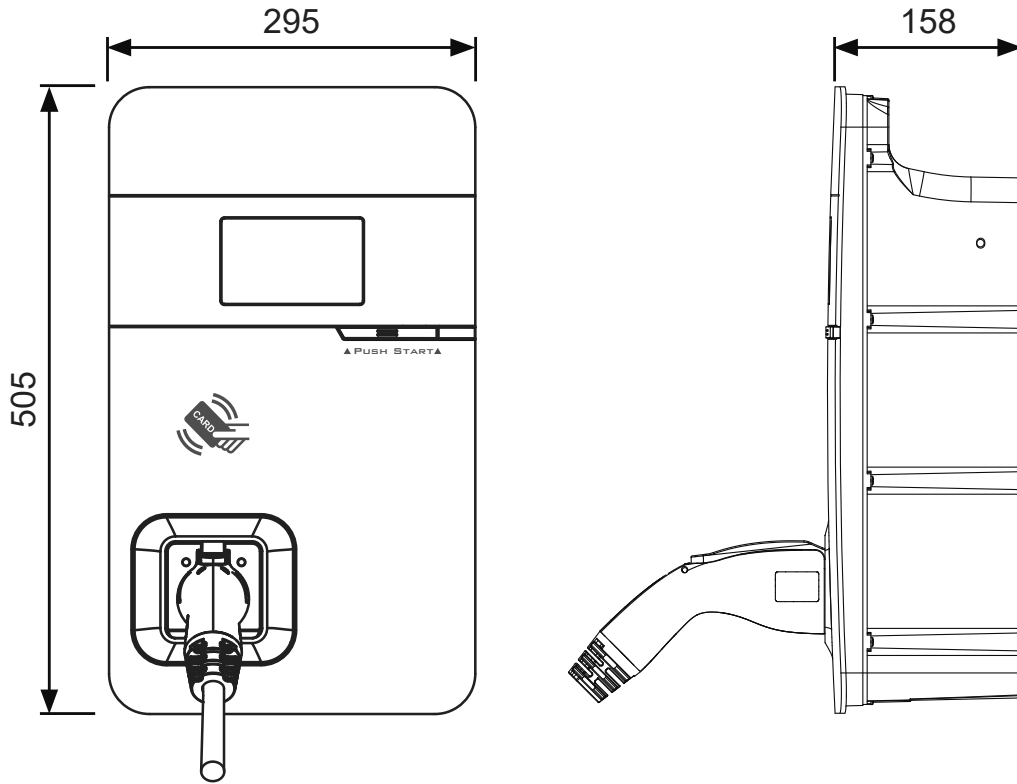


4.3 Bottom Case and Wire box

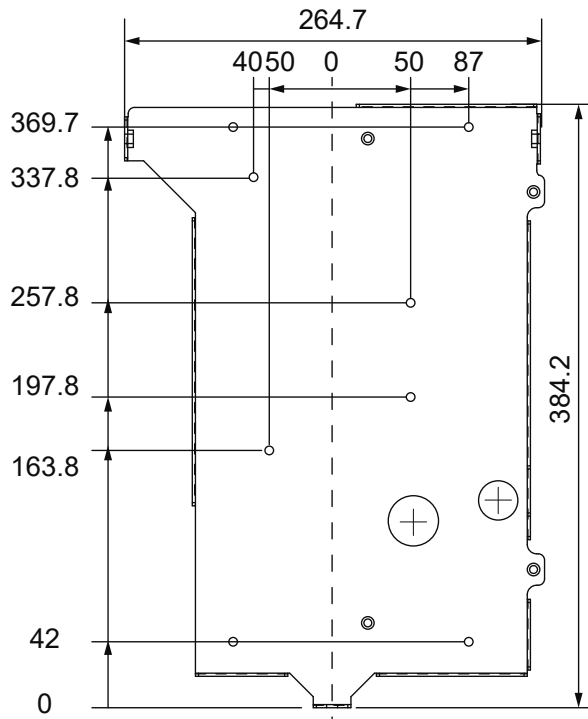


5. Dimensions (unit:mm)

5.1 Main Size of Charger



5.2 Wall-Mount Bracket



6. Specification

Rated Input Voltage	200-240 VAC / Single Phase
Rated Output Current	80A
AC Power Frequency	50/60 Hz
Input Protection	UVP, OVP, Surge protection, Ground fault
Output Protection	OCP, Control pilot fault, Residual current protection
Output Interface	SAE J1772 AC Charging Connector
Storage Temperature	-40°C to + 70°C
Operation Temperature	-30°C to +50°C
Relative Operation Humidity	Up to 85% at 50°C non-condensing
Relative Storage Humidity	Up to 95% at 50°C non-condensing
Display	LED pilot lamp (standard), 5-inch LCD (High-end)
User Authorization	RFID (ISO/IEC 14443A/B, ISO/IEC 15693, FeliCa™, Mifare), ISO15118
RJ45 Cable Inlet ^{*1}	10M/100M Base-T
Wi-Fi Function ^{*1}	802.11 b/g/n
2G/3G/4G Finction ^{*1}	LTE, UMTS/HSPA(+), GSM/GPRS/EDGE
Cable Length	5M/7.5M (From charger's body to lower edge of charging connector)
Protection Level	NEMA TYPE 4
Installation Type	Wall-Mount
Altitude	≤ 2000 m
Weight	9±0.5kg/11±0.5kg
Dimensions	295 (W) x 158 (D) x 505 (H) mm

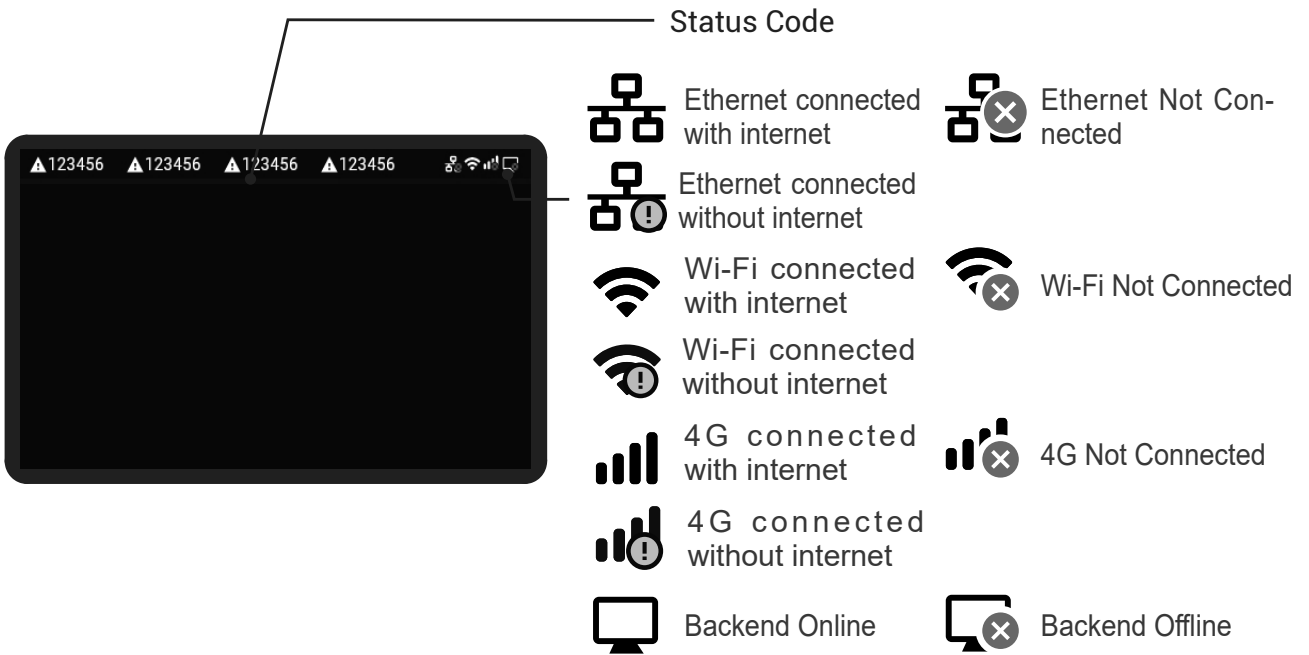
*1 4G Version

7. Status Description of the Charger Indication Lights

Work status	Blue	Green	Red
Initial	Constantly Bright (White)		
Idle Backend connected Sleep	-	Breath	-
Idle Backend connected	-	Constantly Bright	-
Idle Backend disconnected Sleep	-	Breathing (Yellow)	
Idle Backend disconnected	-	Constantly Bright (Yellow)	
Authorize RFID authorization Pass		Flicker 3 sec	
Authorize RFID authorization Fail			Flicker 3 sec
Handshaking	Constantly Bright	-	-
Charging	Flicker	-	-
Terminate	Constantly Bright	-	-
Complete	Constantly Bright	-	-
Maintenance Upgrade	-	Flicker (Yellow)	
Reservation	-	Flicker	

8. Screen Instructions

8.1 Status bar



8.2 Status Code Table

Status Code	Description
011004	RCD/CCID self-test fail
011009	output relay welding
011010	output relay driving fault
011021	Wi-Fi module broken
011036	Rotary switch fault
012200	System input OVP
012203	System input UVP
012212	System input drop
012216	System output OCP
012223	System ambient/inlet OTP
012233	RCD/CCID trip

012241	Wi-Fi module communication fail
012242	3G/4G module communication fail
012243	RFID module communication fail
012254	Fail to create share memory
012255	CSU initialization failed
012256	Ground Fault
012257	MCU self-test Fault
012262	Sytem output Circuit Short
012344	Meter IC communication timeout
012345	Pilot negative error
013607	CSU fimrware update fail
013622	Disconnected from Internet through Ethernet
013623	Disconnected from Internet through WiFi
013625	Disconnected from AP through WiFi
023703	Pilot fault

9. Installation Instructions

9.1 Contractor Safety guide

Introduction

- A safe work environment for everyone - participants, installation and demolition crews, contractors and subcontractors.
- Ultimately, it is the responsibility of contractors to ensure the safety and safe work practices of their employees and subcontractors who may be working at the site on their behalf.
- This guide provides a simple reference guide with basic rules for implementation. This guide does not outline every single safety standard: it is designed to be a supplement to participants, contractors and subcontractors.
- Contractors, subcontractors and employees should cooperate with their employers and other persons in complying with safety regulations and instructions.
- In particular, employees should:
 1. Obtain the qualified authorization of the responsible unit in the construction area
 2. Work safely
 3. Not do anything to endanger themselves or other persons
 4. Use personal protective equipment as required and take reasonable care of it when it is not in use
 5. Report unsafe activities immediately to supervisors or the responsible person in control of the workplace, and
 6. Report all accidents and dangerous occurrences to the supervisor immediately after they happen

1. Requirements for workplace conditions

- Set up suitable fencing to isolate the construction area from outside
- Close and secure all entrances when the site is unattended
- Hang warning notices nearby which show the following information: warning icon and phone number of person in charge
- Install sufficient lighting fixtures



2. Cleaning up

- Keep work areas (including accessways) free from debris and obstructions
- Keep ground surfaces tidy and flat, to avoid people tripping or being hurt by tools or other objects
- Stack and store equipment and materials in a tidy and stable manner
- Regularly clean up and dispose of waste
- Remove all surplus materials and equipment after completion of work



3. Fire hazards

- Beware of flammable materials and goods. Keep them away from work areas.



4. Protection against high temperatures on the worksite

- Erect a sunshade or shed to shelter workers from the heat and sun
- Set up cooling equipment, such as exhaust fans
- Make water dispensers available
- Provide suitable protective clothing such as hat, sunglasses and long sleeves to protect workers from heat stroke and UV rays



5. Inclement weather

- Secure all scaffoldings, temporary structures, equipment, and loose materials
- Check and implement SOP to ensure disconnection of gas supplies, electrical circuits and equipment
- Inspect worksites to ensure protection against ingress of water or dust
- Inspect the drainage system for blockages and remove if found
- Stop all outdoor works except for emergency works



6. Ladders

- Only use ladders that meet local safety regulations
- Do not use wooden ladders
- When working at height, it is recommended to use platforms instead of ladders
- If using a platform is not practicable, a supervisor should assess the potential risk and provide safety

- protection equipment for workers
- Use non-conductive ladders made of glass-fiber or reinforced plastic when carrying out electrical work
- Assign assistants to provide support when working on ladders
- Check all ladders for broken rungs or other defects before use and periodically
- Fully open stepladders when in use
- Do not stand on the top two rungs of a ladder
- Do not overreach when working on a ladder
- Beware of overload restrictions

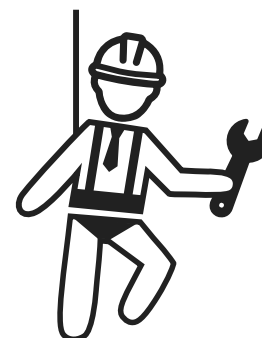


Country	Standards
Canada	CSA Z11 M81
USA	ANSI A 14.1,ANSI A 14.2,ANSI A 14.5
Australia New Zealand	AS 1892.2-1922,AS/NZS1892.1,AS/NZS 1892.3
British	BS1129,BS2037,EN131,EATS13/1

Common Standards for Ladders

7. Working at height

- Avoid working at height by using alternative tools and methods as far as practicable
- It is strongly recommended to build suitable scaffolding or work platforms
- Provide fall arrest systems for workers if it is impracticable to use working platforms
- Secure all materials and tools to prevent them falling from height



8. Lifting operations

- Have lifting gear and apparatus regularly inspected and tested by qualified persons
- Isolate and cordon off lifting areas to keep out non-construction personnel
- Ensure that lifting routes do not cross buildings or people, and avoid collision with objects
- Do not exceed safe working load limits



9. For on-site workers

- Plan all work
- Turn off power (work with live parts de-energized whenever possible)
- LOTO (Lock Out, Tag Out)
- Live electrical work permit (input terminals with HV after door open)
- Use personal protective equipment (PPE)
- Safe workplace conditions and space
- Adhere to other occupational health, safety and security codes, such as those published by OSHA



10. Reference standards

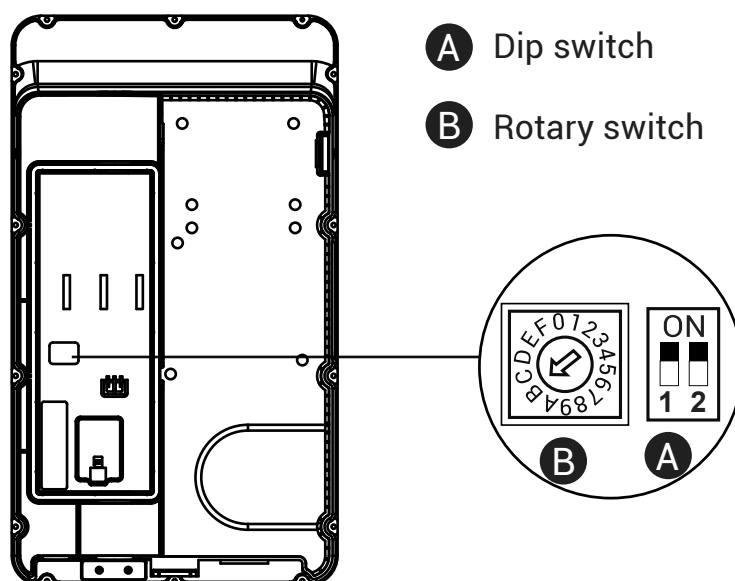
Adhere to the following codes:

- NFPA-70E -2021 Sec 110.3 (Electrical Safety in the Workplace)
- NFPA-70E -2021 Sec 130.4 (Shock Risk Assessment)
- NFPA-70E -2021 Sec 130.5 (Arc Flash Risk Assessment)



9.2 Safety Requirements

- Read this user manual thoroughly and make sure to review all local building and electrical codes before installing the AC charger. A qualified technician should install the AC charger according to the user manual and local safety regulations.
- Use appropriate protection when connecting to the main power distribution cable.
- Type B, C or D breaker with a rating current of 80 Amp should be installed in the upstream AC distribution box.
- Disconnect switch for each ungrounded conductor of AC input shall be provided by others in accordance with the National Electric Code, ANSI/ NFPA 70.
- Verify that the Wall Connector is properly grounded. The ground connection must be bonded in the upstream power supply for proper operation. Check all physical connections, including the wire box terminals, electrical panel(s), and wire box. In residential power supplies, check the bond between ground and neutral at the main panel. If connected to a step- down transformer, contact the transformer's manufacturer for direction on how to bond the ground connection.

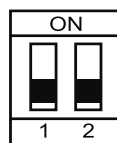
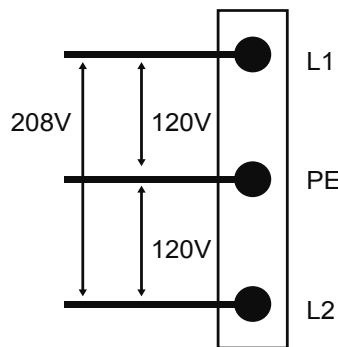


9.3 Power Grid Connection and Grounding Type

- Before setting the dip switch, make sure the input power is turned OFF.
- Use a non-conductive object to set the dip switch.

	Switch 1 (Power Grid Type)	Switch 2 (Grounding System)
ON	LN	IT
OFF	LL	TT-TN

Charger input terminal



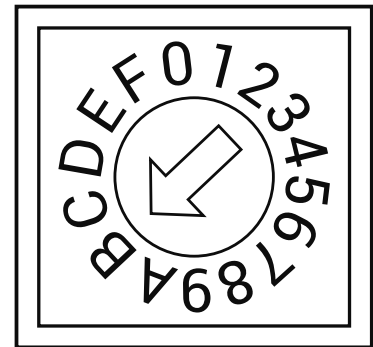
*Note 1: The default value in North America and Japan is (LL / TT-TN).

*Note 2: If it is not the above standard grid type, please contact our technical staff for assistance and confirmation.

Maximum Output Current

This AC charger can support different maximum output current through the setting rotary switch. Setting methods are shown below

- Before setting the rotary switch, make sure the input power is turned OFF.
- Use a non-conductive object to set the rotary switch.

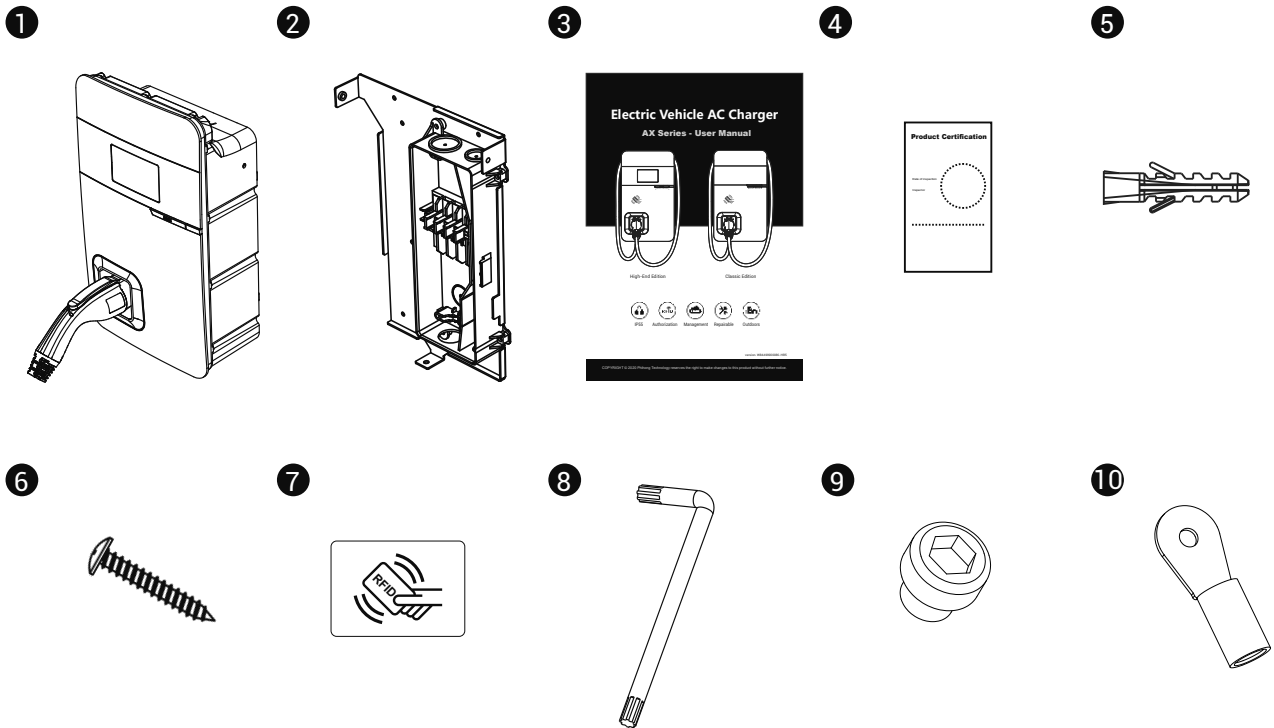


Switch Setting Number	0	1	2	3	4	5	6	7
Maximum Output Current	Test Mode	6A	8A	10A	13A	16A	20A	25A

Switch Setting Number	8	9	A	B ^{*1}	C	D	E	F
Maximum Output Current	30A	32A	40A	48A	Invalid Setting	Invalid Setting	80A	Slave Mode

* Note 1: The default is 80A.

9.4 Packing List



No.	Product Name	Quantity	Note
1	Charger (With Charging Cable)	1	
2	Wall-Mount Bracket & Inlet Box	1	
3	User Manual	1	
4	Product Certification	1	
5	Expansion Screw	4	
6	M5 Self-Tapping Screws	4	
7	RFID Card	2	
8	Torx/T30 L-Wrench	1	
9	M6 Screw	5	
10	M6 Ring type terminal	3	

9.5 Tools and Materials Required

Tools required before installing the charger onto the Wall-Mount Bracket are:

- Wire stripper
- Crimpers for ring terminals
- Phillips screwdriver for M4 – M6 1-3/8 inch or 34 mm drill bit
- Voltmeter or digital multimeter (for measuring AC voltage at the installation site)
- The inserting cable should meet the best waterproof performance requirements. It is recommended to use a 3 core / 2AWG or 33mm² cable (XLPE-90°C, THHN-90°C, or equivalent) to pull the cable from the distribution box. The maximum outer diameter of the cable should be 16mm–23mm(Note: The cable must be copper wire).
- Level ruler
- Pencil or marker
- Machine drill
- Ring terminal (recommend type 38-6) for 2 AWG wire, and fixed by M6 slotted head screw.
- It is recommended to use 1-inch liquidtight flexible metal conduit compliant with NEMA 4 class
- Slotted head screwdriver for M6

9.6 Wall-Mount Bracket Installation Requirements

Before installing the wall-mount bracket, you should confirm that the loading capacity of the wall can reach a weight of 40 kg. When installing on a cement wall, you can use the included expansion screw to install the bracket and use a cement drill to drill holes on the cement wall (Ø8 mm) following the hole spacing in accordance with 3.2.

When installing on a wooden wall, you can directly use the included M5 self-tapping screws to install the wall-mount bracket and use the wall-mount backplane to lock and install on the wall directly.

9.7 Installation Requirements

- To select the best location and position to install the wall-mount unit, you should first determine the parking position of the vehicle to ensure the charging connector can be easily inserted into the vehicle charging inlet.
- The wall-mount unit should be located:
- In a well-ventilated area. Avoid installing in closed boxes or near to exothermic chargers.
- 1.2 meters or 4 feet above the floor.
- 250mm (10inches) from any obstacles to allow cables to loop around the wires and to allow related maintenance.
- If in an enclosed garage, on the side of vehicle charging inlet.

9.8 Installation Steps

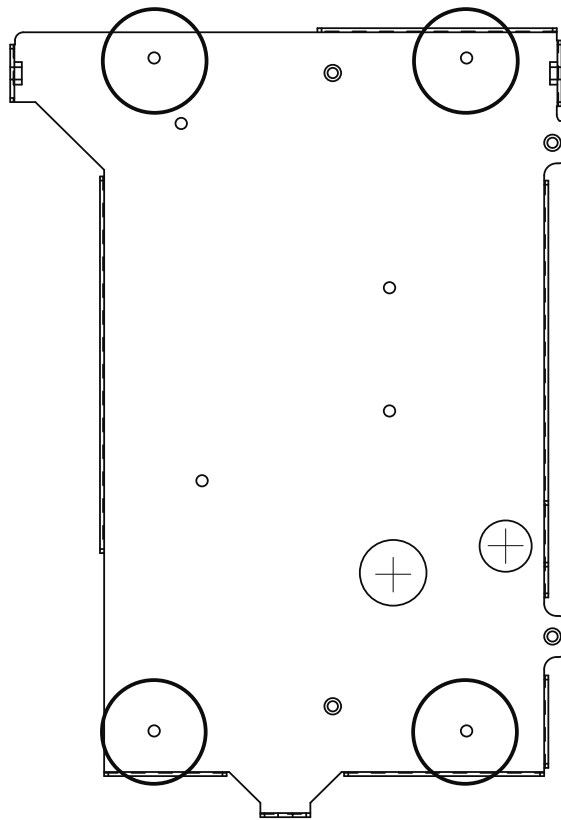
Warning for Wi-Fi and 4G versions:

Due to different congenital environments, it is recommended to first conduct Wi-Fi and 4G module network signal tests before finalizing your settings. It is recommended that the RSSI (Received Signal Strength Indication) value should be higher than -65dBm. If it is lower than this value, it may result in a weak Wi-Fi or 4G connection or disconnection due to external interference in the area.

STEP 1

Installation of the wall-mounted metal plate

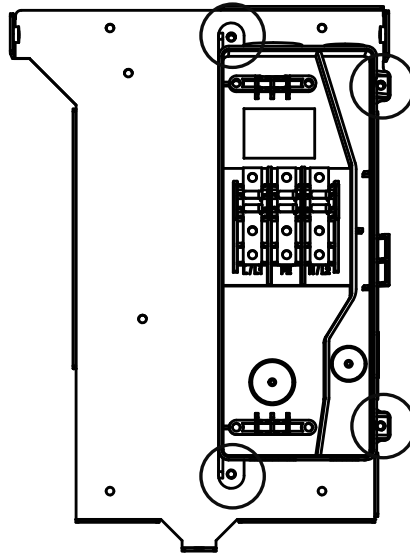
Take out the wall-mounted metal plate and locate all the installation holes. Use as a template to mark on the wall with a pencil or any tool, and insert 4 sets of expansion bolts (M5X40mm) into the wall, as shown in the figure. Install the wall-mounted metal plate on the cement wall.



STEP 2

Installation of the wire box

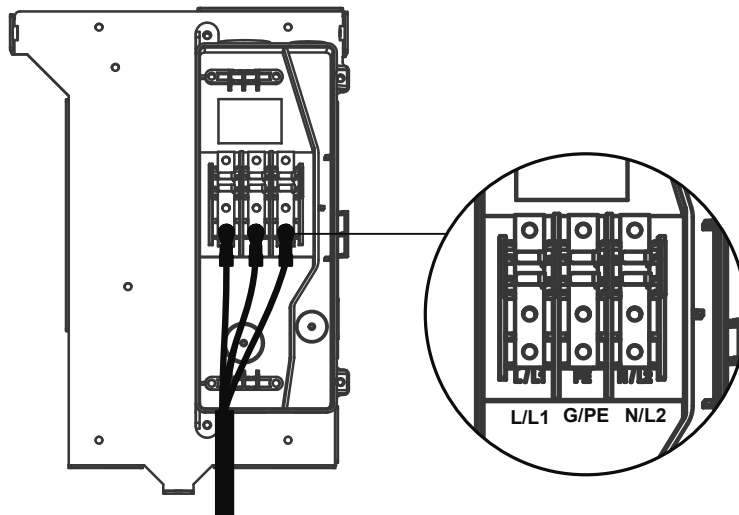
First, remove the waterproof cover at the inlet end marked as "AC In". Then, install the accessory "1-inch liquidtight flexible metal conduit" at the inlet of the power cord, and attach the wire box to the wall-mounted metal plate with screws.



STEP 3

Installation of the AC power cord

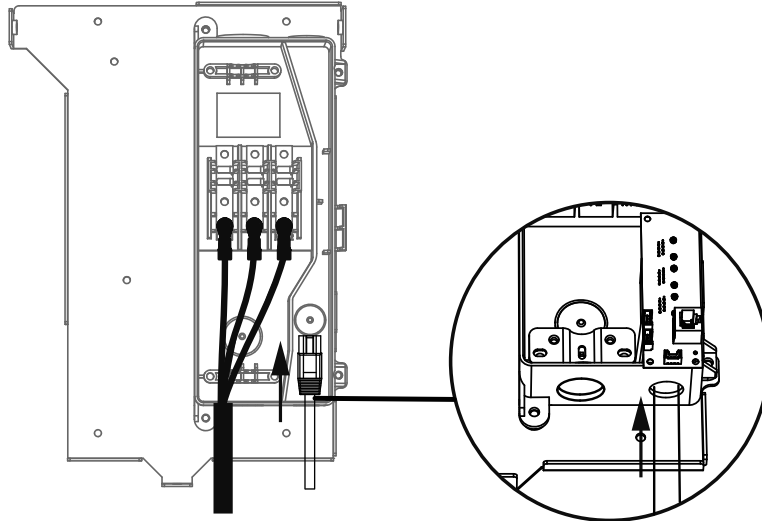
The cross-sectional area of the three power cords should be AWG 2 or 33mm². The power cords should be fully crimped and connected with ring terminals. The ring terminals should be attached to the wire box with M6 screws, with a tightening torque of 40kg-cm. Please refer to label on the wire box for the correct positions, where the positions are L1/L, GND/PE, and L2/N, respectively, from the left to the right.



STEP 4

Installation and setting of the network cable

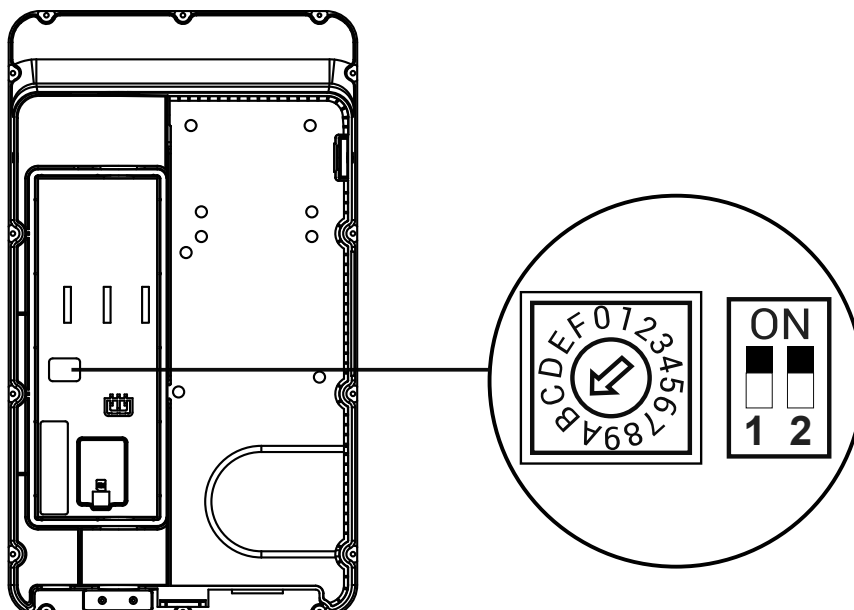
Remove the waterproof plug from the Internet interface at the bottom left of the wire box. Feed the network cable into the wire box through the network cable entrance. Once the network cable is in, insert the RJ45 connector into the connection port on the back of the charger.



STEP 5

Setting of the power supply type and grounding type

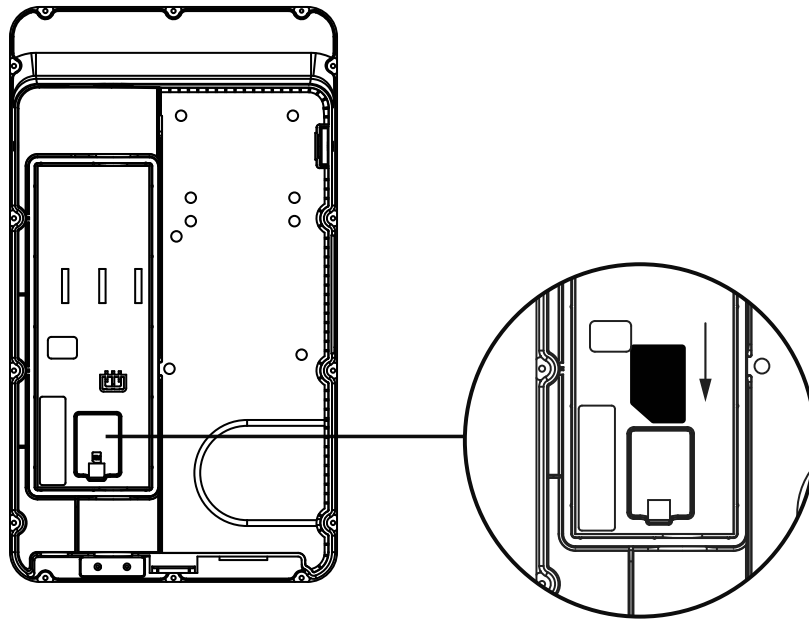
There are different settings depending on the LAN and the country where the machine is installed. Please refer to Section 9.2 "Power Grid Connection and Grounding Type" for details.



STEP 6

Installation of the SIM card (only available for 4G models)

Attention: Please confirm that the SIM card password has been removed prior to installation, as the charger post does not support SIM cards with passwords.

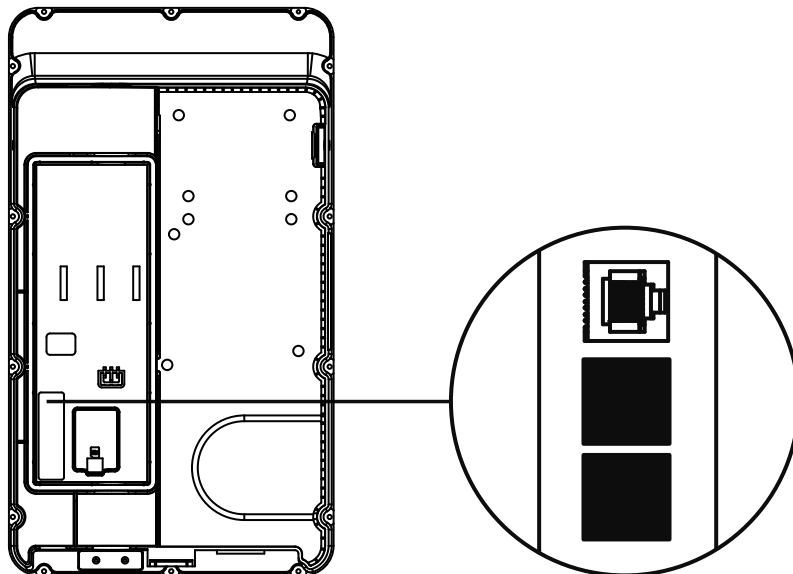


STEP 7

Installation of the charger

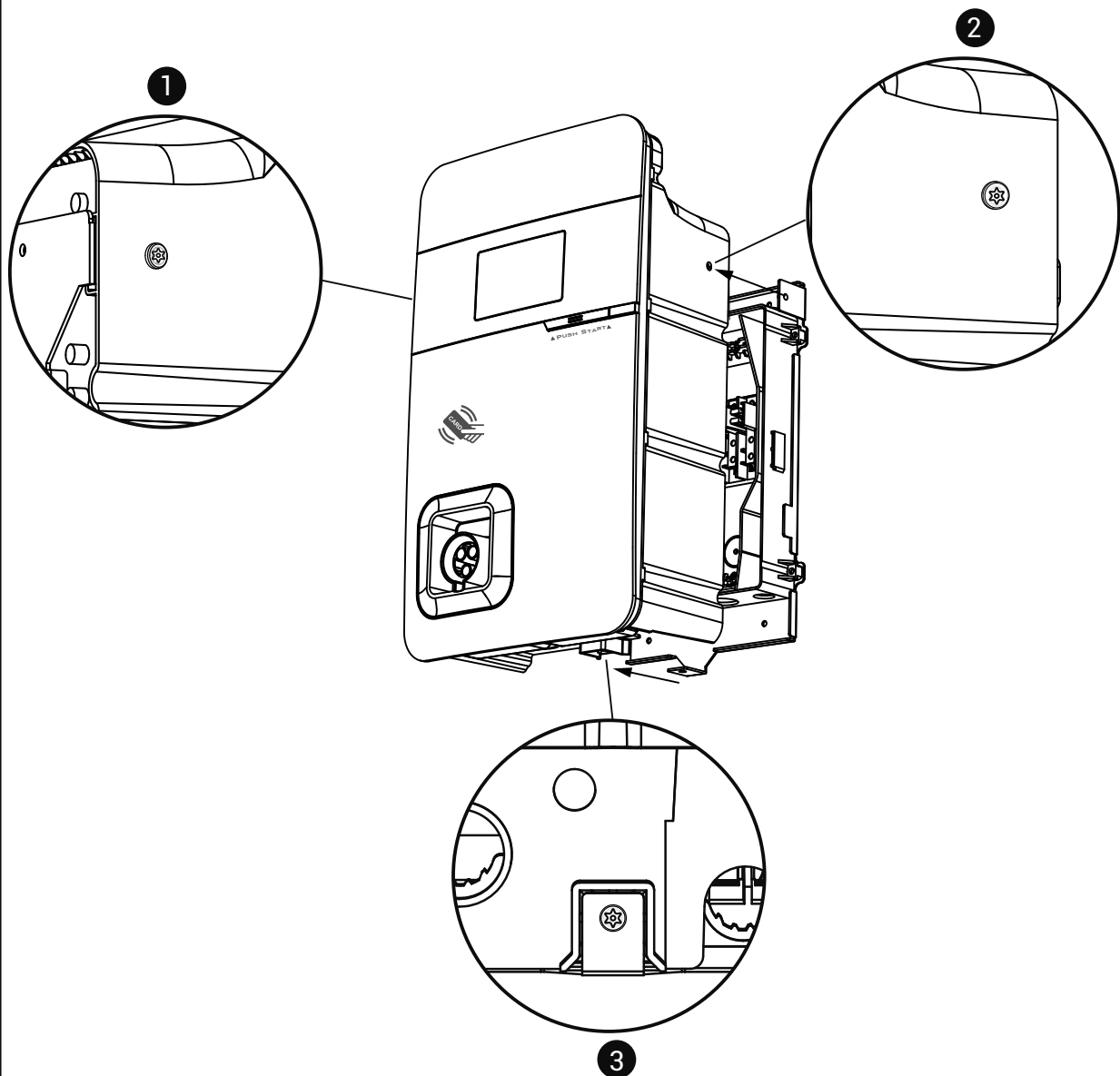
First, connect the network cable to the charger.

NOTE! The network cable needs to be connected to the correct socket.



Next, move the charger equipment in a horizontal direction, so that the AC connector of the equipment can be inserted into the conductive spring plate of the wire box. Meanwhile, apply pressure to the equipment, so that the three screw holes of the equipment align with the three holes of the wall-mounted metal plate.

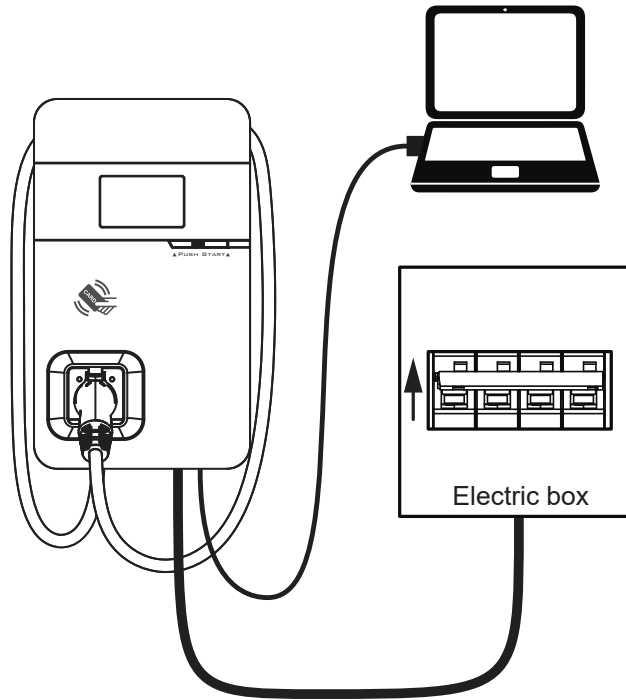
Finally, tighten with the M6 plum screws in the order left - right - bottom, with a tightening torque of 30 kg-cm.



STEP 8

Power on the machine for setting of the charger

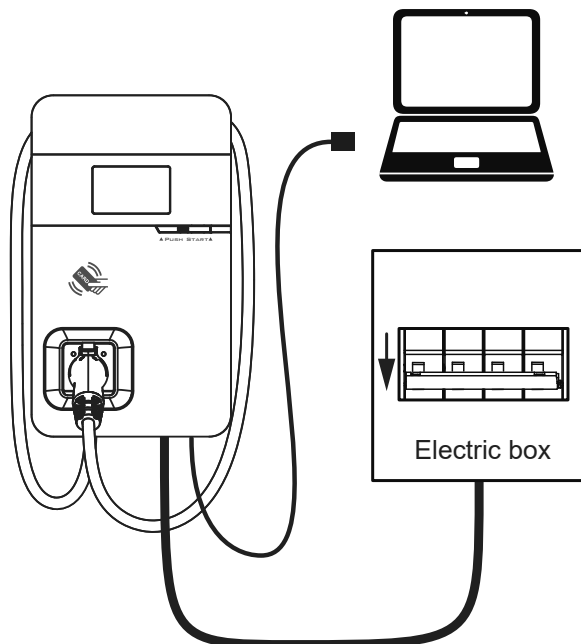
For setting instructions, please refer to Section 10.1–10.4 "Charger Standard Setting instructions"



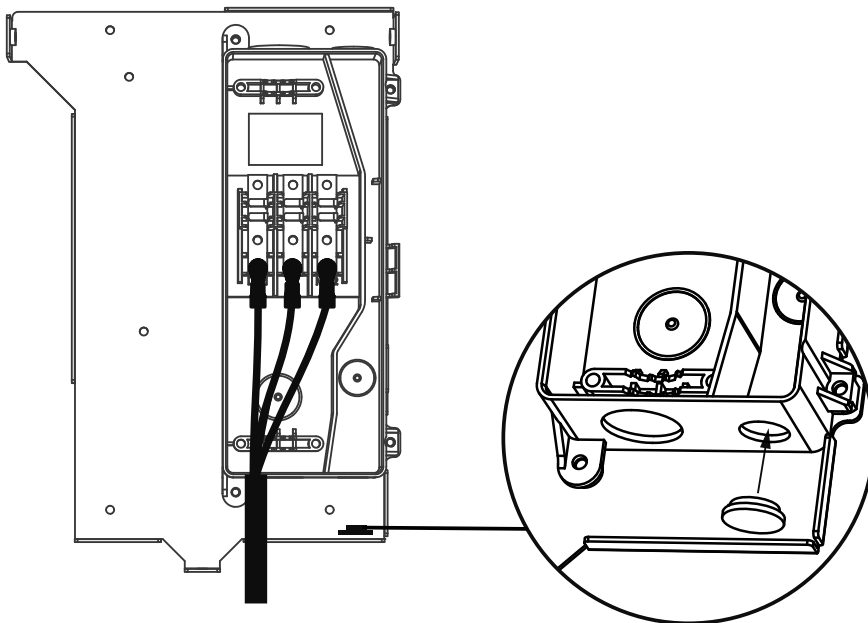
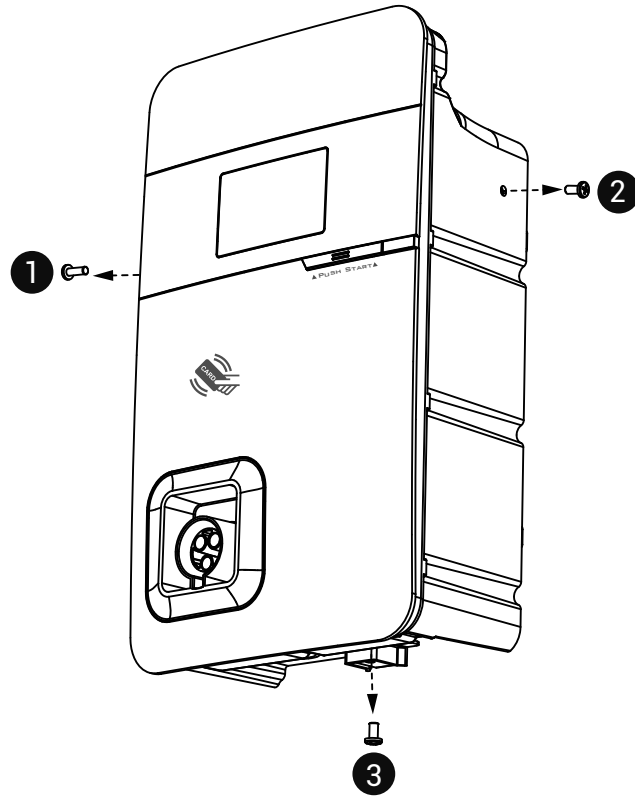
STEP 9

Power off and unplug the connection

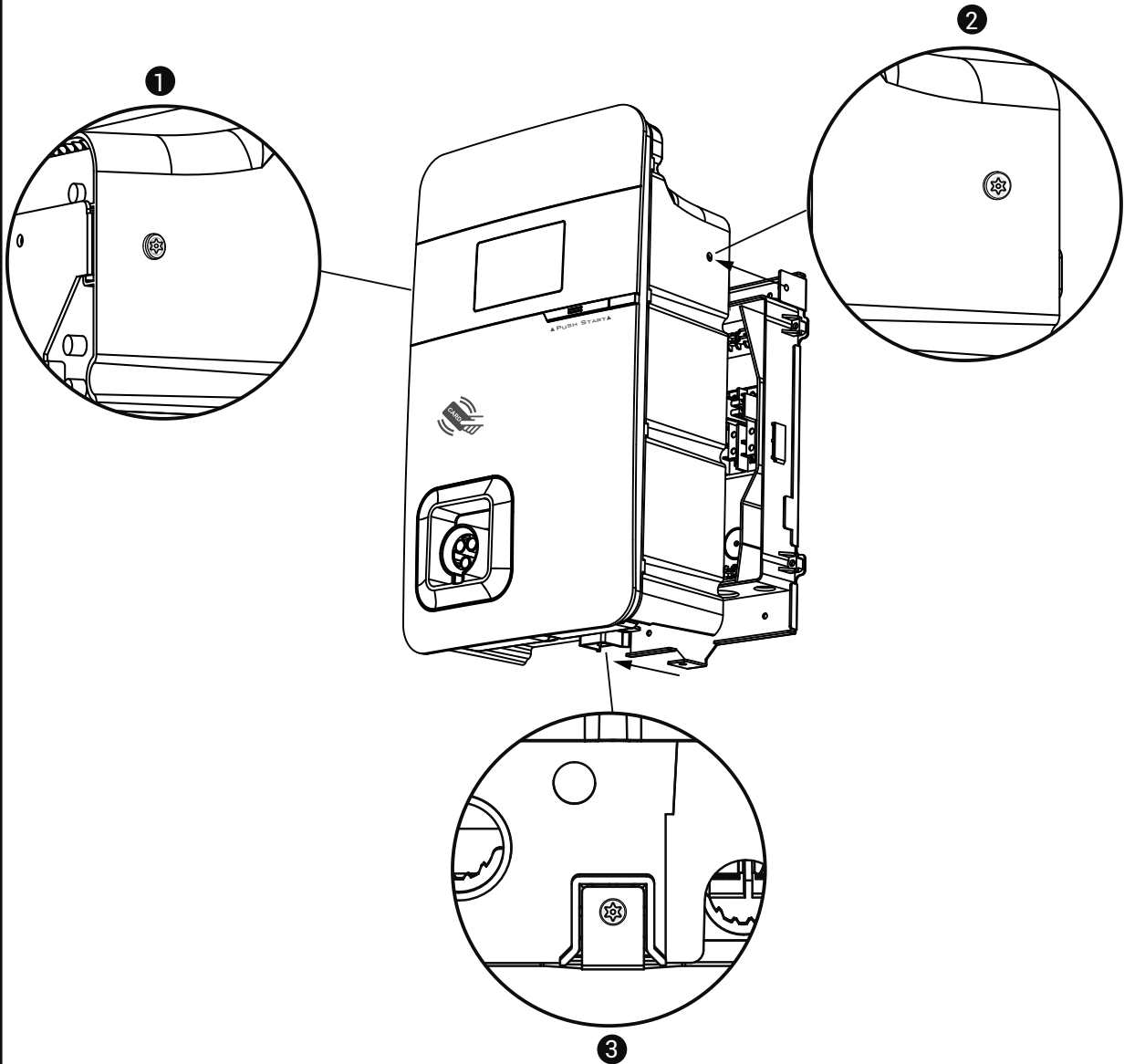
Power off the machine and remove the network cable once setting is completed (For those who are in a wired network environment, please go straight to Step 10)



Remove the three screws on the charger in the order bottom - right - left. Pull the network cable out of the wire box , then remove the network cable. Install the waterproof plug, then re-install the charger and wire box.



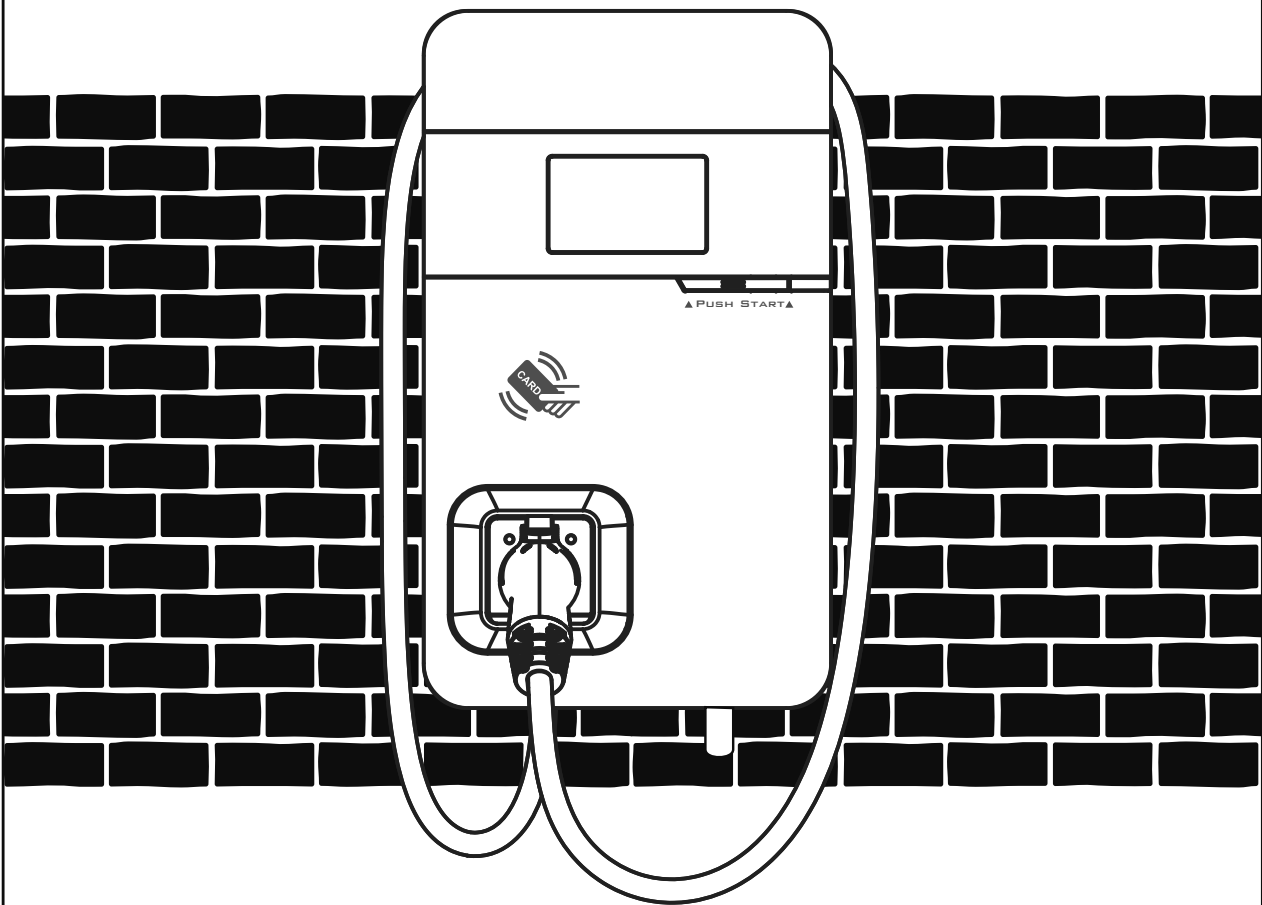
Let the three screw holes of the equipment align with the three holes of the wall-mounted metal plate, then tighten with the M6 plum screws in the order left - right - bottom, with a tightening torque of 30 kg-cm.



STEP 10

Installation of charging gun wiring

Wrap the charging gun wire around the equipment (about two turns), so that the charging gun wire will not hang down to the ground. Once the wrapping is done, insert the charging gun head into the hole of the charging gun base on the front panel of the machine to complete the installation of the equipment.



10. Charger Standard Setting

10.1 Time Setting

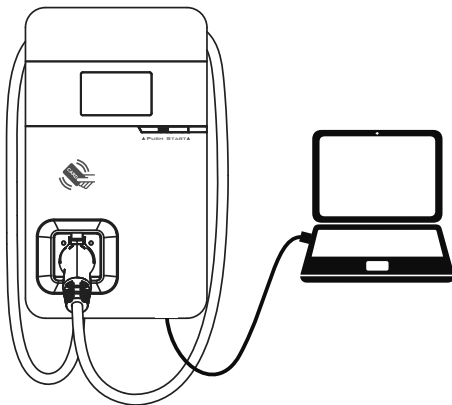
Automatic setting :

The time will be adjusted automatically when the charger connects to the internet.

Time Server :

- time.windows.com
- cn.ntp.org.cn
- tock.stdtime.gov.tw

Note: The firewall and network environment may influence the time server connection.



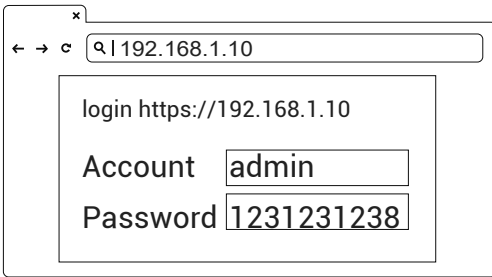
STEP1/ Connect the RJ45 cable to the charger. Connect the RJ45 cable to the notebook.

Use the following IP address:

IP address:	<input type="text" value="192 . 168 . 1 . 1"/>
Subnet mask:	<input type="text" value="255 . 255 . 255 . 0"/>
Default gateway:	<input type="text" value=" . . ."/>

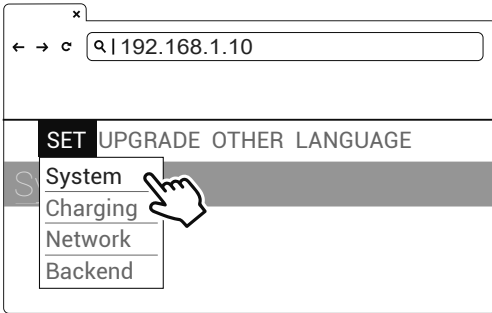
STEP2/ Change the IP address on your laptop computer by accessing the network card settings. Change the TCP / IP automatic IP to fixed IP.

- IP Address:192.168.1.1
- Subnet Mask:255.255.255.0

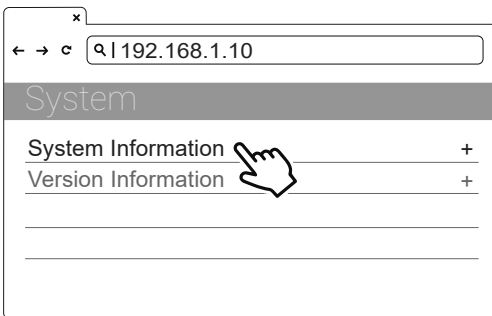


STEP3/ Open a browser and enter IP address 192.168.1.10 to log into the setup page. Use the following credentials to log in.

- Account: admin
- Password: 1231231238

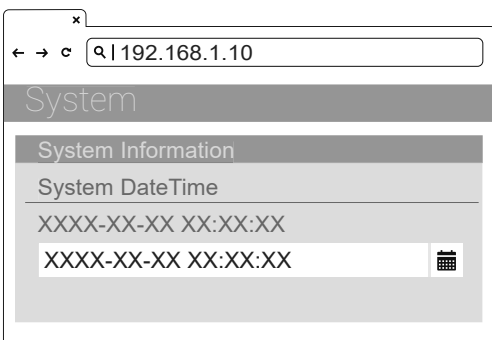


STEP4/ Select "SET" at the top of the webpage to enter the settings page. Select "Network" to enter the network settings page.



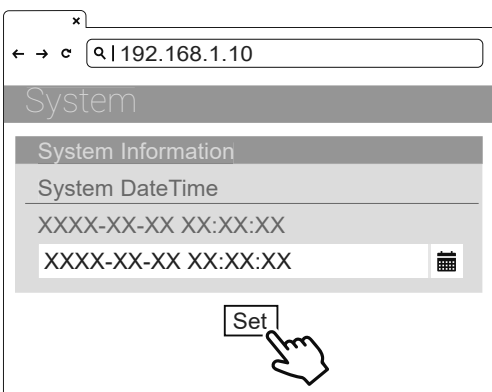
STEP5/

- Click "System information".



STEP6/

- Click System DateTime.
- Click the calendar graphic on the right to set the current time.



STEP7/

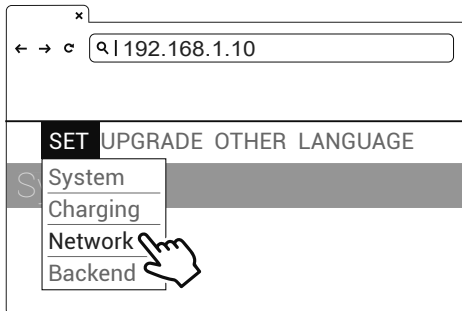
- After you update the settings, click SET and wait until the setting completion window appears.
- For the Networking Edition, restart the charger.
- For Wi-Fi and 4G versions, continue to step 10.2 or 10.3 to complete the settings process.

10.2 Wi-Fi Setup

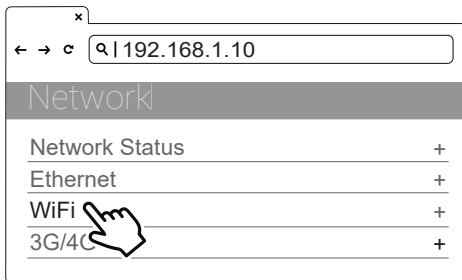
Tools required before setting

- Notebook with RJ45 interface x 1
- One RJ45 cable connector is male to male x1

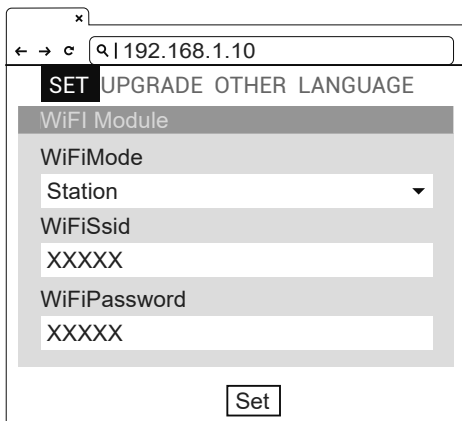
10.2.1. Wi-Fi Setting



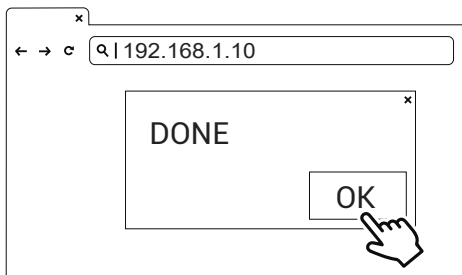
STEP1/ Select "SET" at the top of the webpage to enter the settings page. Select "Network" to enter the network settings page.



STEP2/ Select Wi-Fi to enter the Wi-Fi Module settings page.



STEP3/ Keep the Wi-Fi Mode set to "Station" and enter the Wi-Fi SSID name and the Wi-Fi password. Save settings by selecting SET.

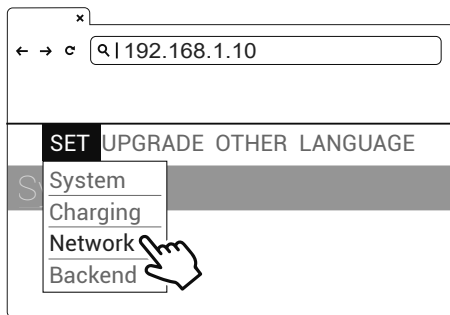


STEP4/ After completion, click SET and wait until the setting completion window appears. Restart the charger.

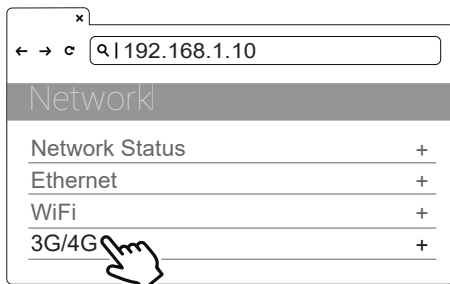
- For other settings (such as OCPP, etc.), please contact our professional staff.

10.3 4G Setup (for the optional 4G Edition)

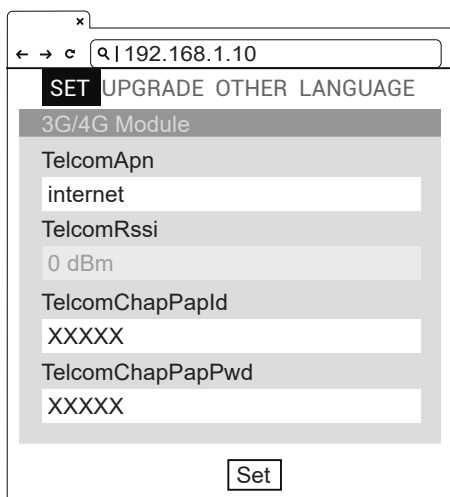
Attention: Please confirm that the SIM card password has been removed prior to installation, as the charger post does not support SIM cards with passwords.



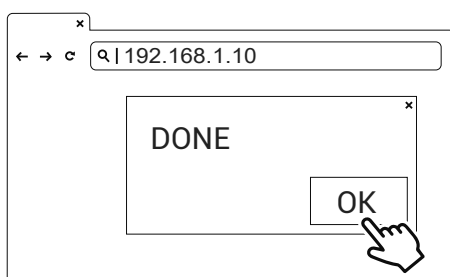
STEP1/ Select "SET" at the top of the webpage to enter the settings page. Select "Network" to enter the network settings page.



STEP2/ Select 3G/4G module to enter the 4G settings page.



STEP3/ Enter the Carrier APN and then click "OK." Wait for the page to refresh. The page should now show RSSI, and the Network Connection "Status" should show "Connected."

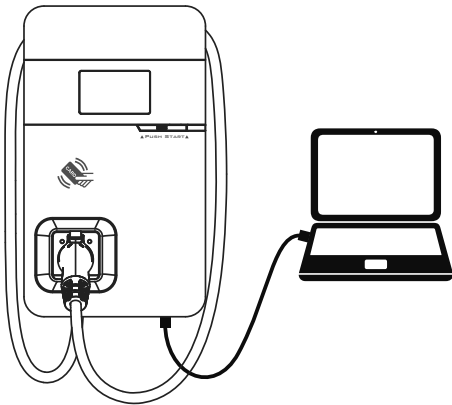


STEP4/ After completion, click SET. Wait for the setting completion window to appear. Click "Confirm" to finish the setting. Restart the charger.

*For other settings (such as OCPP, etc.), please contact our professional staff.

10.4 Re-checking the Wi-Fi and 4G Signal Strength on Power-Up

After restarting the charger, check the connection signal strength. The RSSI (Received Signal Strength Indication) should be higher than -65dBm. If the value is lower, you may experience a weak Wi-Fi signal connection or even disconnection. The cause could be interference.



STEP1/ Connect the RJ45 cable to the charger. Connect the RJ45 cable to the notebook.

Use the following IP address :

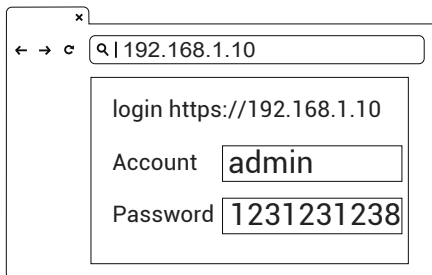
IP address:

Subnet mask:

Default gateway:

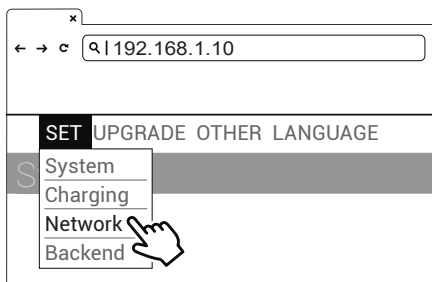
STEP2/ Change the IP address on your laptop computer by accessing the network card settings. Change the TCP / IP automatic IP to fixed IP.

- IP Address:192.168.1.1
- Subnet Mask:255.255.255.0

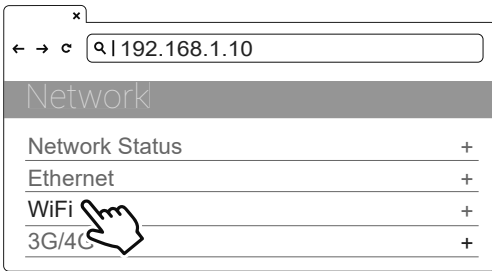


STEP3/ Open a browser and enter IP Address 192.168.1.10 to login into the setup page. Use the following credentials to login.

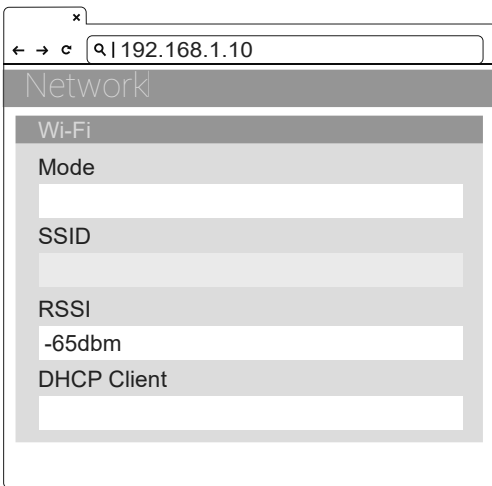
- Account: admin
- Password: 1231231238



STEP4/ Select "SET" at the top of the webpage to enter the settings page. Select "Network" to enter the network settings page.

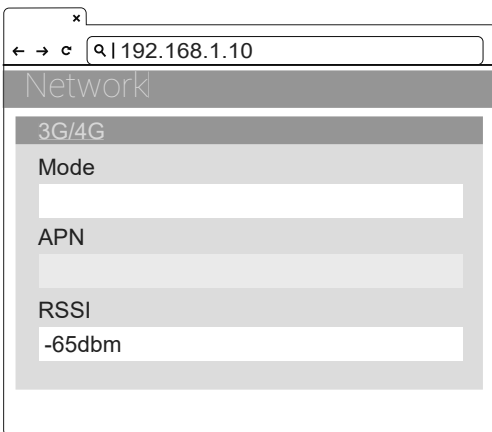


STEP5/ Select the Wi-Fi and 3G/4G module to enter the setting.



STEP6/ (Wi-Fi Version)

- Make sure the Wi-Fi strength is higher than -65dbm.



STEP6/ (4G Version)

- Check that the strength of 4G must be higher than -65dbm.

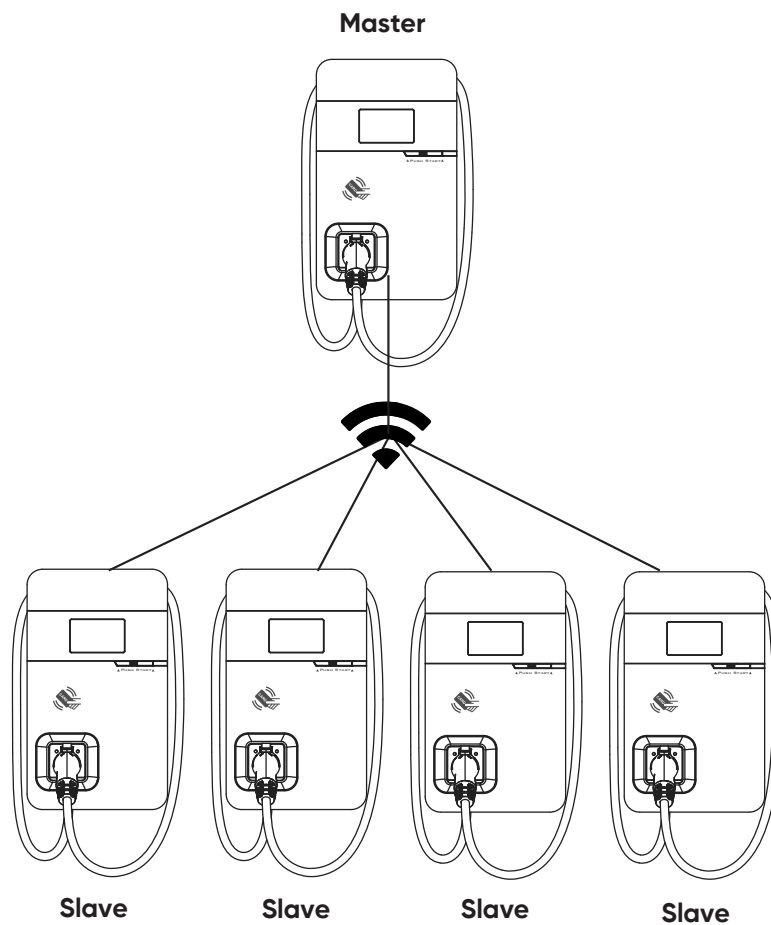
11. Local Load Balance Mode

11.1 Introduction

Automatic setting :

When facing the backend connection restrictions, the function of Local Load Balancing allows the charger to achieve smart charging and avoid exceeding electrical loads. Through the Local Load Balance function, chargers can be set as Master and Slaves, linking all the chargers according to their current status through the Master and adjusting the maximum output of each Slave dynamically.

Please refer to the Chapter 11.3 for the composition of the local network. Please note, due to the limitation of the load capacity of the controller, a group can be composed of up to five chargers (1 Master + 4 Slaves), Please see the diagram below.



11.2 Local load balancing setup instructions

11.2.1.Master

Please follow the steps below to settings webpage of the Master

STEP1/ Select Set-> Select Backend-> At Local Loading Balance select "master".

STEP2/ Power Sharing Capacity (Watt): please enter local energy grids. If the input is 0, use the Rating power of the host Model name as the allocatable power in wattage.

	SET	UPGRADE	OTHER	LANGUAGE
OCPP Connection Status	System			
Connected	Charging			
Central System URL	NetWork			
Wss://ocpp.phihong.com.tw:2013/	Backend			
Charge Box Id				
AXLU111001D1POD19520001A0				
Charge Point Vendor				
phihong.com				
OCPP Security Profile				
None Security				
Receipt URL				
Local Loading Balance				
master				
Power Sharing Capacity W				
0				
'0'means follow rating power from mode name				

11.2.2.Slave

Please follow the steps below to settings webpage of the Slave.

STEP1/ Select Set-> Select Backend->At Local Loading Balance select "slave".

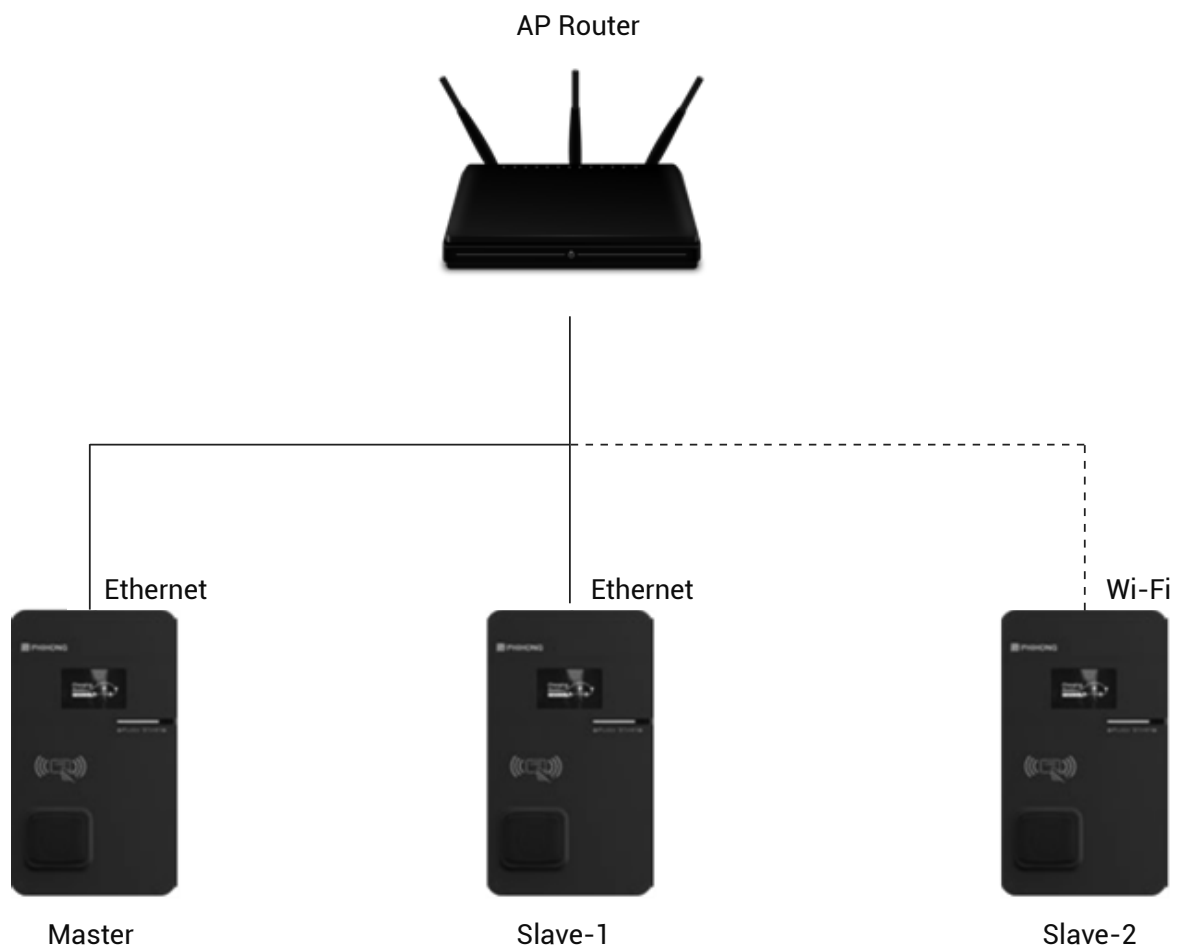
STEP2/ Power Sharing Server IP : Please enter the EVSE IP address of Master.

	SET	UPGRADE	OTHER	LANGUAGE
OCPP Backend	System			
OCPP Connection Status	Charging			
Connected	NetWork			
Central System URL	Backend			
Wss://ocpp.phihong.com.tw:2013/				
Charge Box Id				
AXLU111001D1POD19520001A0				
Charge Point Vendor				
phihong.com				
OCPP Security Profile				
None Security				
Receipt URL				
Local Loading Balance				
Slave				
Power Sharing Server IP				
192.168.10.10				

11.3. Local Area Network

11.3.1. Use the AP router to share the network

Share the network via AP router, please see the diagram below:



11.3.1.1. Share internet via Ethernet

STEP1/ Select Set-> Select Network->Select Ethernet-> At DHCP Client select "Station".

EV Quick Charger

SET UPGRADE OTHER LANGUAGE

Network

Network Status	+
Ethernet -	
DHCP Client	
enable	v
MAC Address	
68:47:49:C5:E5:DE	
IP Address	
192.168.80.141	
Submask Address	
255.255.255.0	
Gateway Address	
192.168.80.1	
WIFI	+
3G/4G	+

Set

11.3.1.2. Share Wi-Fi via AP router

STEP1/ Click Set-> Select Network->Select WiFi->at Mode select "Station".

STEP2/ SSID: enter the target SSID name.

STEP3/ Password: enter the Wi-Fi password.

STEP4/ Target Bssid Mac:enter the Mac address if you have specified AP.

STEP5/ DHCP Client: select "Enable".

EV Quick Charger

SET UPGRADE OTHER LANGUAGE

Network

Network Status	+
Ethemet	+

WiFi

Mode
station ▼

SSID
dlink-D698 Scan

Password
1231231238

Wifi Target Bssid Mac

RSSI
-37dBm

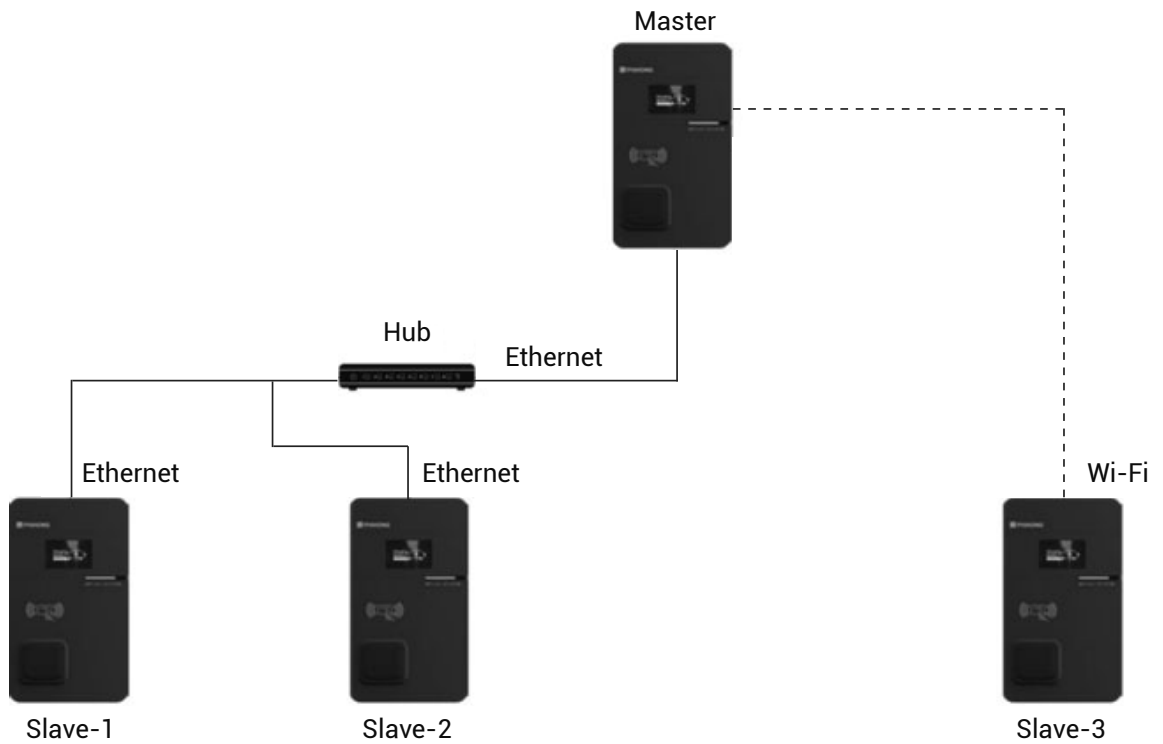
DHCP Client
enable

MAC Address
D4:CA:6E:AD:99:72

11.3.2. Master as a network sharing

When the Master connects to the 4G network, You can select the Master as a network sharing to share the Internet to other chargers through the AP mode or Ethernet.

Please see the diagram below:



11.3.2.1. Master share Wi-Fi as a hot spot

STEP1/ Click Set-> Select Network->Select Wi-Fi -> at Mode select "Access Point".

STEP2/ SSID: inter "model name" + "serial number" of the master or you can use the [Scan] button to search AP.

STEP3/ Password "serial number" + "model name" of the master.

*Please refer to Page 44 for the model name and S/N information.

STEP4/ Wi-Fi Broadcast SSID if you need to hide SSID please select Hidden.

STEP5/ DHCP Server select "Enable".

EV Quick Charger

SET UPGRADE OTHER LANGUAGE

Network

Network Status +

Ethemet +

WiFi

Mode
Access Point ▾

SSID
AXLU111001D1P0D19520001A0
Scan

Password

Wifi Broadcast SSID
broadcast ▾

RSSI
-37dBm

DHCP Client
enable ▾

MAC Address
D4:CA:6E:AD:99:72

Network Connection Status
Connected

3G/4G +

Set

11.3.3. Share internet Slaves with a hub via Ethernet

When Master connect to 4G or Wi-Fi, Master is able to share internet as a hot spot to other EV chargers with a hub via Ethernet RJ45 connector (5 chargers at most including Master).

Confirm Model Name and Serial Number of Master

Check the model name and S/N information on the model label located on the side of the device.

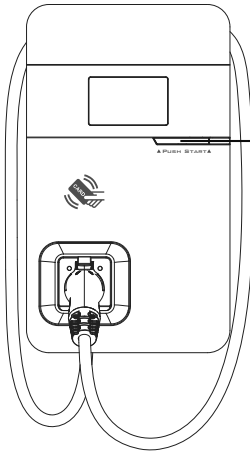


Example:

Slave SSID: AXLU111001D1P1D1616A001A1

Slave password: D1616A001A1AXLU111001D1P1

12. Operating Instructions

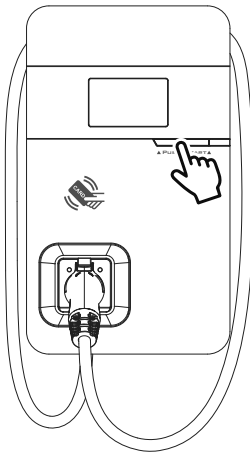


Standby - Green Light

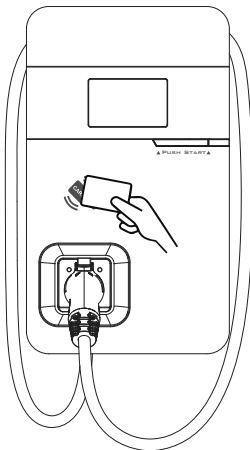
Wait to see the standby light show STEADY GREEN. When the charger is not operated for 120 seconds, it will enter sleep mode.

When the machine is a connected to the backend, the standby light remains GREEN, and it becomes SLEEP GREEN when the machine enters sleep mode.

When the machine is not connected to the backend, the standby light remains YELLOW, and it becomes SLEEP YELLOW when the machine enters sleep mode.

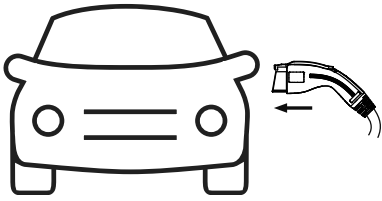


Press the button to wake up the charger.



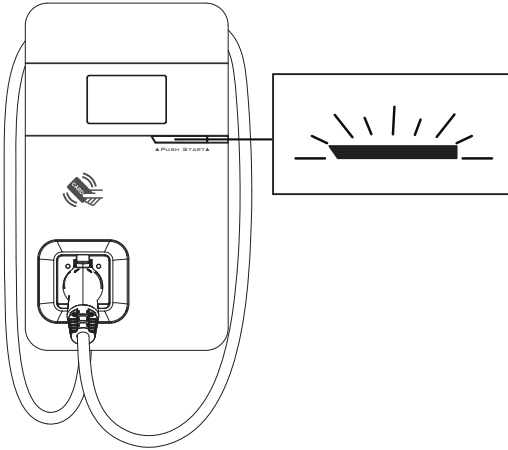
RFID Authorization (Internet Edition)- Green Light Flashing

The green light flashes after RFID is authorized.



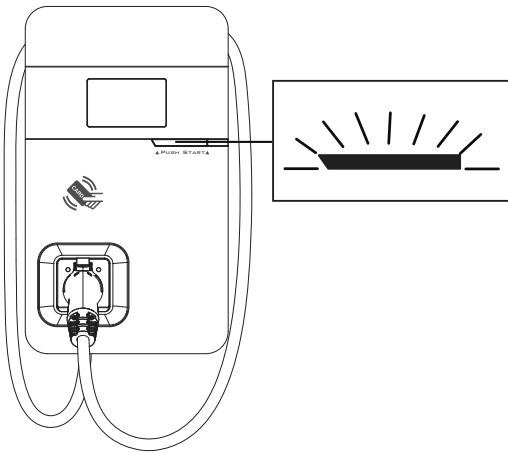
Waiting for Charging - Blue Light

After the vehicle connector is connected to the vehicle inlet, the CHARGE light is constantly lit.



Charging - Blue Light Flashing

The CHARGE light flashes while charging.



Fault - Red Light

The red light is lit when a fault occurs. Please refer to "8.8 Error and Warning Messages" for detailed information.

12.1 Error and Warning Message

Status	Red	Remark
Input OVP	One flash followed by a 3-sec pause	Please measure the input voltage to see if it is higher than 275V
Input UVP	Two flashes followed by a 3-sec pause	Please measure the input voltage to see if it is lower than 160V
Output OCP	Three flashes followed by a 3-sec pause	When the charging current on the car shows overloaded, please disconnect the charging gun and then try to initiate charging again. If the situation recurs, please contact the service personnel of the car maker for identification of problems.
OTP	Four flashes followed by a 3-sec pause	If the temperature of the charger is abnormal, please turn off the charger power to cool down the machine before powering it on again. If the situation recurs, please power off and stop using the machine immediately, then contact customer service.
RCD Abnormal	Five flashes followed by a 3-sec pause	Disengage the charging gun and try the operation again. If the situation recurs, please contact customer service.
Ground Fault ^{*1}	Six flashes followed by a 3-sec pause	Please confirm the grounding status ^{*1}
Control Pilot Fault	Flicker	When communication between the vehicle and charger is abnormal, please disengage the charging gun and operate again. If the situation recurs, please contact customer service.
MCU Self-Test Fail	Constantly Bright	Contact Customer Service
RCD Self-Test Fail	Constantly Bright	Contact Customer Service
Relay Self-Test Fail	Constantly Bright	Contact Customer Service
RCD Abnormal Stop Charging ^{*2}	Constantly Bright	Contact Customer Service ^{*3}
Output OCP Stop Charging ^{*2}	Constantly Bright	Contact Customer Service ^{*3}
OTP Stop Charging	Constantly Bright	Contact Customer Service

- *1 Verify that the Wall Connector is properly grounded. The ground connection must be bonded in the upstream power supply for proper operation. Check all physical connections, including the wire box terminals, electrical panel(s), and wire box. In residential power supplies, check the bond between ground and neutral at the main panel. If connected to a step-down transformer, contact the transformer's manufacturer for direction on how to bond the ground connection.
- *2 Withdrawing and plugging back in the charging gun can exit this stop-charging mode.
- *3 If this stop-charging mode is frequently triggered, please contact customer service for technical solutions.

13. Maintenance and Repair

13.1 Daily Maintenance

Please keep the charger clean and install it in a clean area with low humidity. Do not install it in an environment near the sea, with high levels of oil, humidity or dust.

- Avoid moisture or water in the charger. If water or excess moisture gets into the charger, immediately power off the charger to avoid immediate danger. Proceed to contact the appropriate maintenance personnel before the next use.
- If there is any damage or dirt on the vehicle connector, charging cable, or vehicle connector holder, please contact maintenance personnel immediately.
- Use the charger correctly. Do not hit or press hard on the case. If the case is damaged, please contact a professional technician.
- Avoid placing the charger near to hot objects and in high-temperature locations, and keep it away from dangerous substances such as flammable gases and corrosive materials.
- Do not place external objects or heavy objects on the charger, in order to avoid danger.
- Do not use organic solvents to clean the surface of the charger.

13.2 Maintenance Spares

- This product is covered by a three-year parts warranty. If you have a technical issue, contact a dealer and speak to a technical support representative.

13.3 Warranty and Maintenance

Warranty Coverage:

- The warranty period for this EV charger is three years from the invoice date. A two month grace period is provided for all shipments direct from Asia to the location designated by the reseller.
- After the warranty period, if no extended warranty has been purchased, any replacement parts or upgraded parts ordered will be covered for (one year) from the invoice date.
- During the warranty period, Dealer will provide ongoing technical support to help troubleshoot any technical issues. Our support team is available during normal office hours.
- During the warranty period, if the product is upgraded through an authorized reseller or Agent, the original warranty period can be maintained.
- AC series faulty charger returns will be replaced by new units under warranty subject to the conditions detailed below. Outside of warranty faulty chargers can be returned for repair assessment and cost.

Warranty Exclusions:

- Inability to provide valid proof of purchase.
- The product is out of warranty.
- Damage caused by improper use, maintenance, and/or storage.
- Damage or malfunction caused by a foreign object entering the unit.
- Unauthorized repair, disassembly, or modification.
- Malfunction and damage caused by other unavoidable external factors.
- Malfunction and damage caused by improper use of equipment, such as water or other solutions entering the equipment.
- Mechanical damage caused by an accident.

-
- Damage or rendered non functional because of power surges, lighting, earthquake, fire, flood, pest damage, abuse, accident, misuse, negligence, or failure to maintain the product or other event beyond Supplier's reasonable control or not arising from normal operating condition.
 - Cosmetic or superficial defect, dents, marks, or scratches after use.
 - Components which are separate from the product, ancillary equipment, and consumables, such as RFID card, fuse, cable, wires, and connectors.
 - Damage as a result of modifications, alterations or disassembling which were not pre authorized in writing by Supplier.
 - Damage due to the failure to observe the applicable safety regulations governing the proper use of the product.
 - Installed or operated equipment not in strict conformance with the documentation, including without limitation, not ensuring sufficient ventilation for the product as described in Supplier installation instruction.
 - Damage caused by not using the spare parts provided by the original supplier.

If a defect occurs during the warranty period, the product or parts must be returned in accordance with the terms in our return policy. A copy of the original invoice or other proof of purchase must accompany the returned unit(s) or parts.

Dealer reserves the right to repair or replace any defective EV charger within the warranty period. Dealer is under no obligation to repair or replace EV chargers that have components damaged by using excessive loads or input conditions beyond the stated range of the EV charger specification.

Except as expressly stated in this warranty or in the written sales agreement between dealer and its direct customer, no other warranties, expressed or implied will be applicable. In no event shall dealer be liable for loss of profit or benefits, indirect, special, consequential, or other similar damages arising out of any breach of warranty or otherwise.

When service is required for an EV charger, a defect report is required to obtain a Return Merchandise Authorization number (RMA) before returning the EV charger(s) or parts. Dealer will not accept returns that do not have an RMA number included with the shipment.

Defective units or parts must be returned freight prepaid; Dealer will pay for the shipping back to the customer for valid warranty claims.

EV chargers within the warranty period will be repaired or replaced free of charge, if the warranty and return policy conditions have been met. EV chargers that are repaired after the warranty has expired will be subject to charges for parts and labor. We will only start the repair process after we have received acceptance by the customer of the repair costs.

The RMA information must be filled in completely in accordance with the format, including the product serial number, the date of failure/replacement, and the address of use. Dealer starts to calculate the processing time of the RMA process after the information is complete.

Freight forwarder appointed by either dealer Technologies or the Customer should be insured by a reputable insurer to cover full invoice value of the products for each shipment in the event of occurrences of damage, all equipment should remain in original packing.

To return EV chargers or parts to dealer, please contact us during normal business hours. You will be issued an RMA number and instructed on how to return the EV charger. A detailed description of the problem(s) with each EV charger and a list of the serial numbers should be included with the shipment.

Returned EV chargers are subject to the following conditions:

- (1) EV chargers or parts must be packed in a manner that will prevent incidental damage during shipping.
- (2) A copy of the original purchase order or other proof of purchase and defect report must accompany the return.
- (3) EV chargers or parts returned to dealer that are determined to be misused, altered, or modified from the original manufactured release will be returned to the client freight collect.
- (4) Retesting fee per unit and return freight charges will be incurred for units(s) with no defects.
- (5) Root Cause Analysis and failure report for products out of Warranty will be charged depending on the condition of the product.

13.4 Maintenance History

Product Name _____

Serial No. _____

Product Model _____

Manufacture Date _____

Year _____

Month _____

Day _____

Customer _____

Phone _____

Address _____

1.Maintenance Content

After Service _____

Signature of Customer _____

2.Maintenance Content

After Service _____

Signature of Customer _____

3.Maintenance Content

After Service _____

Signature of Customer _____

4.Maintenance Content

After Service _____

Signature of Customer _____

5.Maintenance Content

After Service _____

Signature of Customer _____



Electric Avenue Manufacturing
Inc. goelectricave.com
1-888-353-2283
support@goelectricave.com