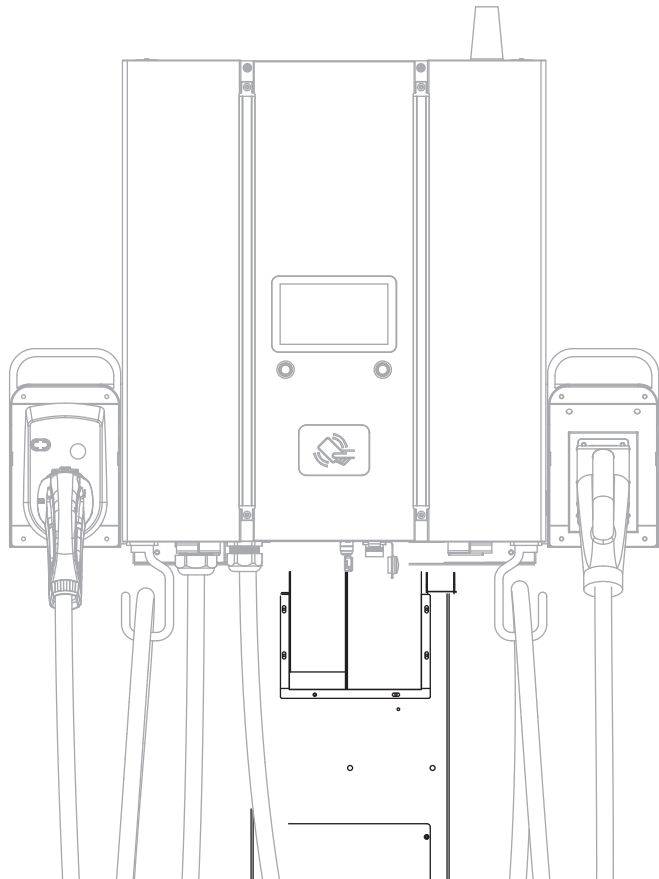


30kW Wall Mount DC Fast Charger Pedestal

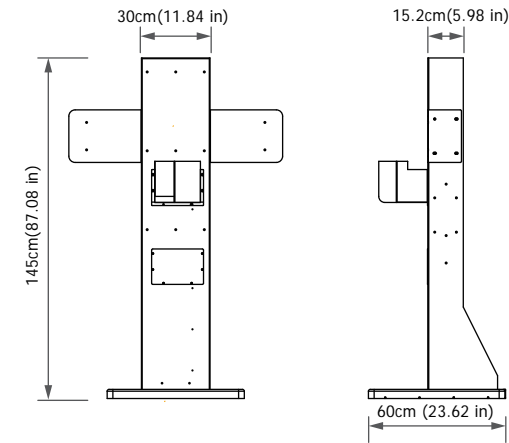
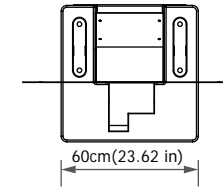
User Manual & Installation Instructions



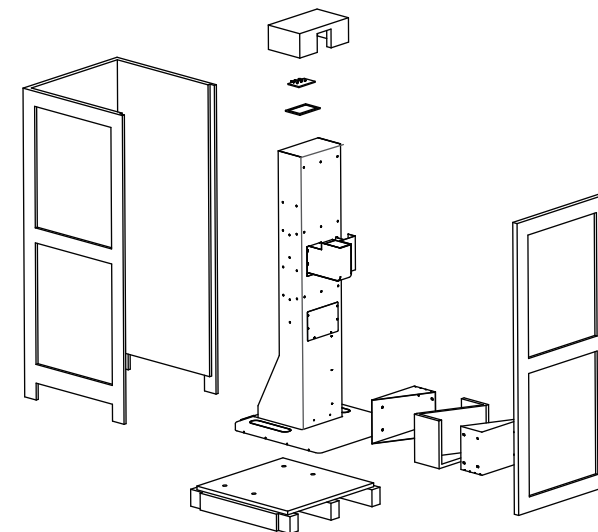
1-888-353-2283 info@goelectricave.com

Copyright © 2023, Electric Avenue Manufacturing Inc.
Electric Avenue reserves the right to update the manual without any notice.

1. Pedestal outline dimension



2. Unpack



3.Packing List

Items	Description	QTY	Notes
	Main body	1	
	Bottom plate		
	M12 expansion screw L100mm	6	
	Screw round M8X20	6	
	M4X10 countersunk screw	25	
	M4X10 round screw	6	
	M6 nut	2	
	M6X16 round screw	9	
	Installation guide	1	

4.How to Install Pedestal

STEP 1

Prepare a concrete base

The concrete pad building should be compliance with regulatory and local code requirements. The following descriptions of the dimension or structure are minimum recommendation.

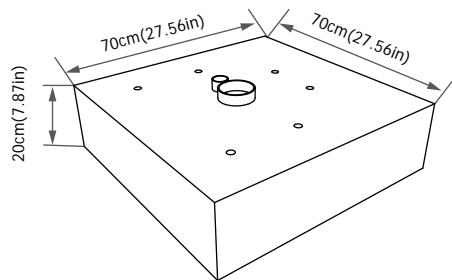


Fig. 1 The schematic of concrete pad

STEP 2

Mount 6 pieces of M12 Expansion screw on the concrete pad according to the below dimensions. (The depth of Expansion screw hole is at least 11 cm.). Implantation ± 23cm conduit for input DC and Ethernet cables.

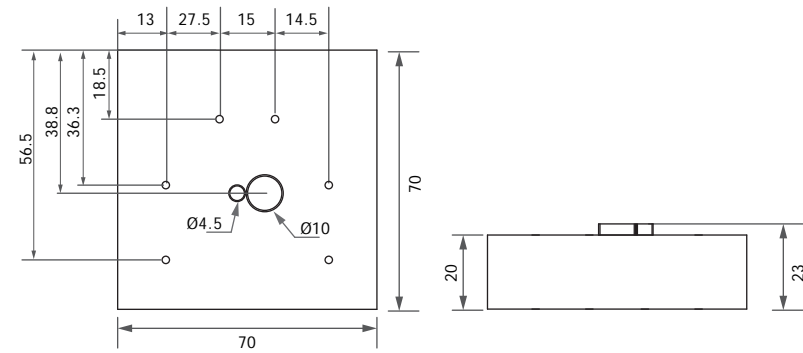


Fig. 1-1 The 2D of concrete pad

STEP 3

Screw 6 sets of expansion screws to the bottom of the stand as indicated.

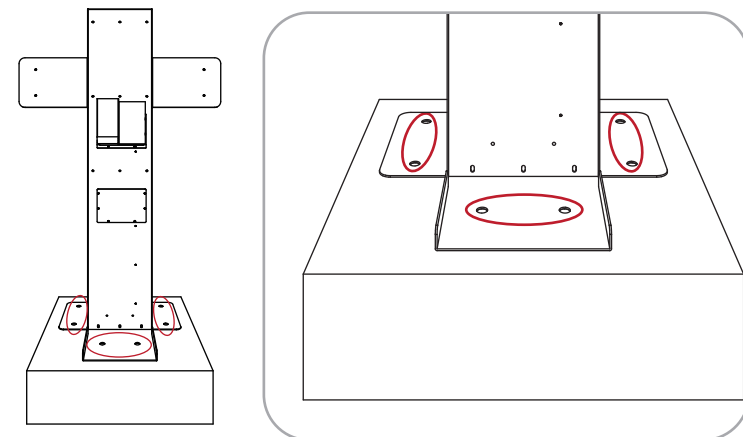


Fig. 2

STEP 4

Mount 6 screws indicates in Figure 3.

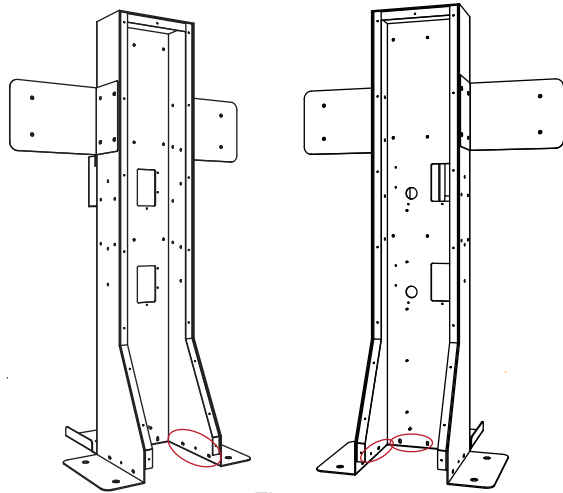


Fig. 3

STEP 5

Place the bottom plate as indicates in Figure 4 and then screw the four M12 expansion screws.

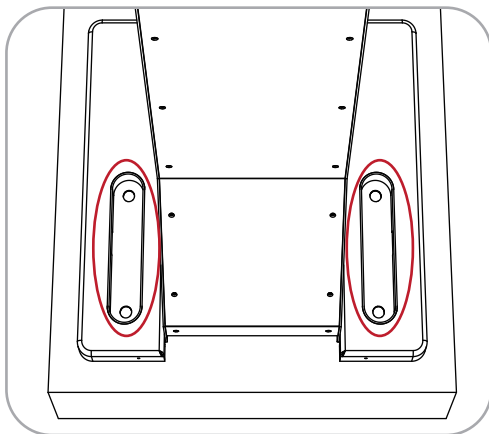


Fig. 4

STEP 6

Screw 2 sets M4 X10 screws and nut to the bottom of the stand .

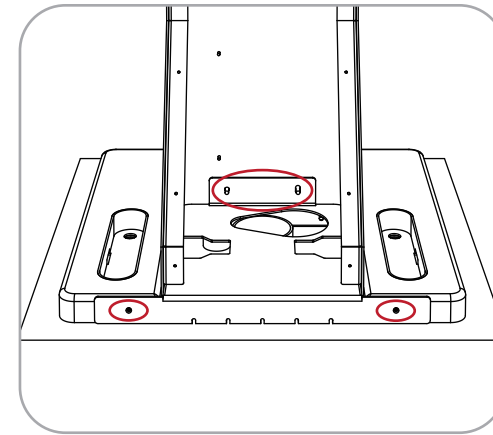


Fig. 5

STEP 7

Position the bracket comes with DW30 wall mount charger as indicates in Figure 6, fasten with 4pcs M8X L12 screws marked in red.

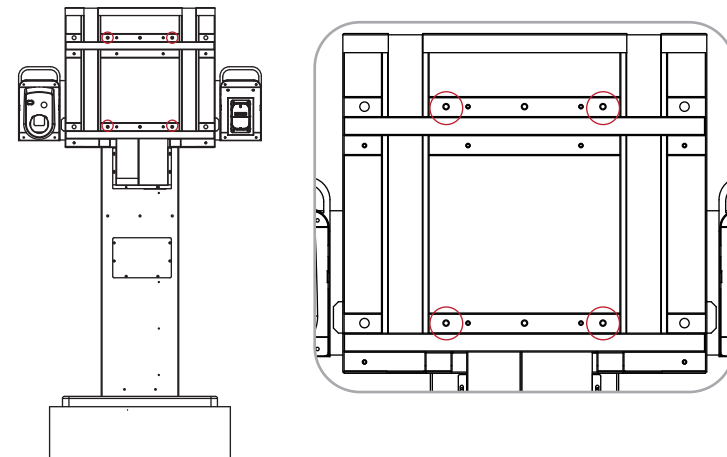


Fig. 6

STEP 8

Mount according to the above Figure 7 and mount two M6 screws marked in red.

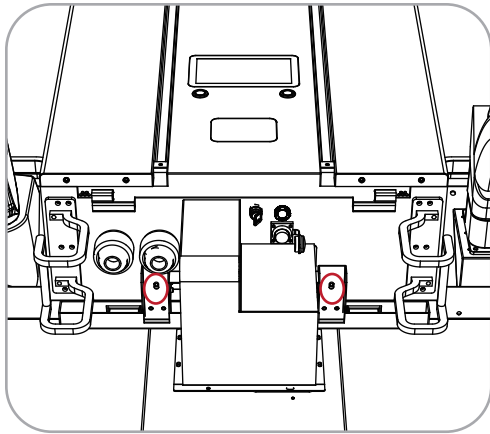


Fig. 7

STEP 9

Assembly the arms of gun holder on both sides, fasten with 4 pcs of M8 screws for each.

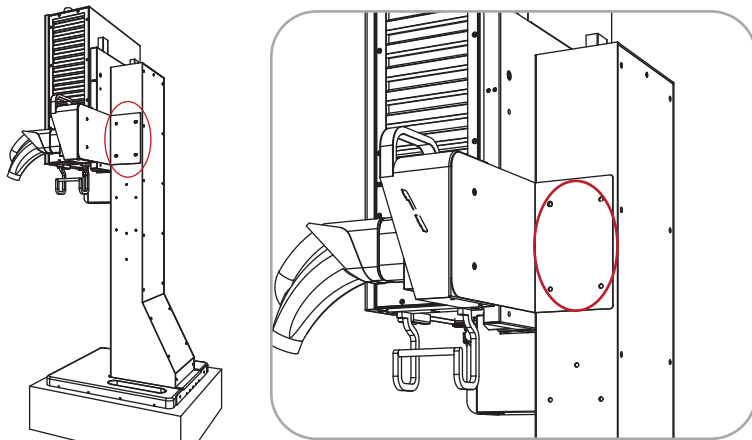


Fig. 8

STEP 10

Put on the gun base on both sides and fasten with 2pcs of M8 screws for each.

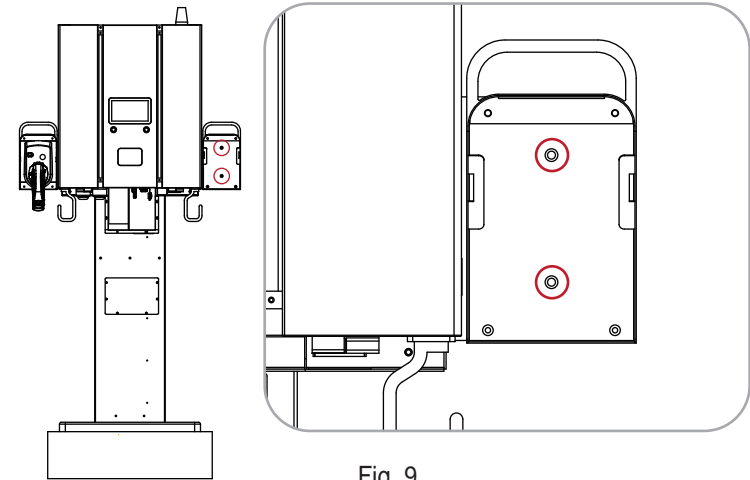


Fig. 9

STEP 11

Assembly the gun holders on both sides and fasten with 4pcs of M5 screws for each.

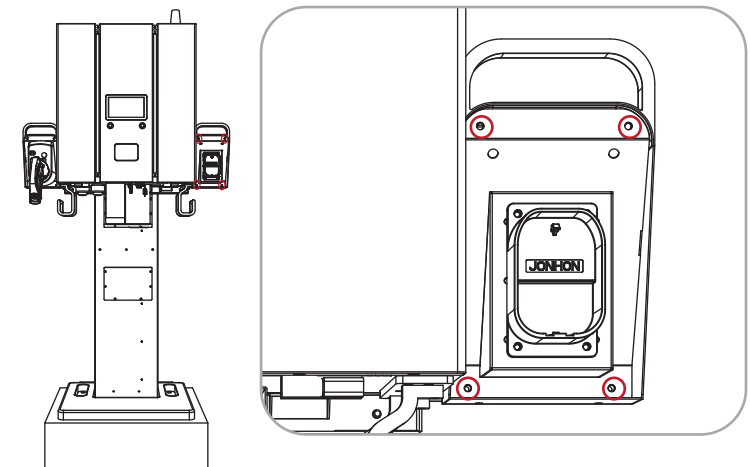


Fig. 10