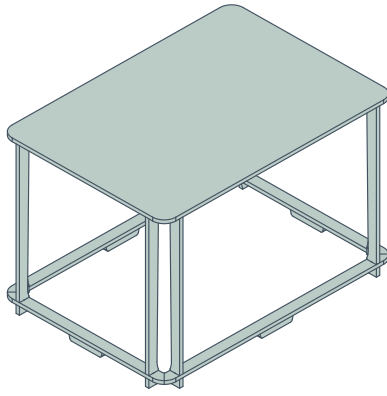
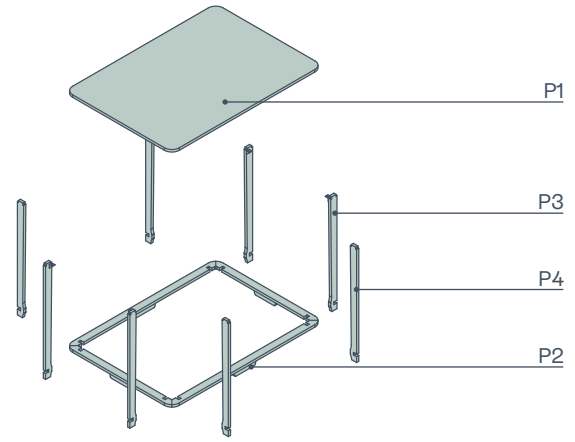


Assembly Instructions

Jack



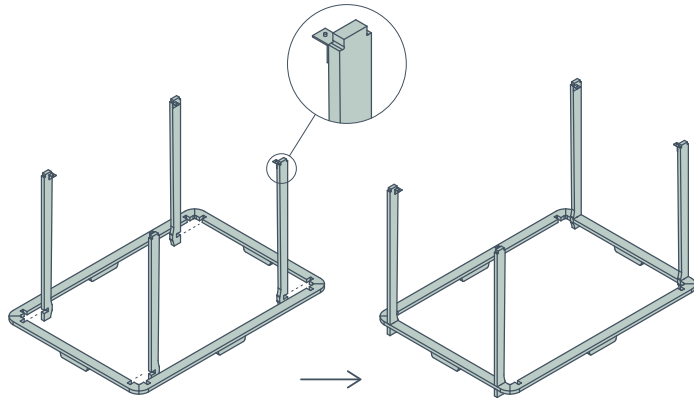
Parts List



- 1x P1 (Top)
- 1x P2 (Base)
- 4x P3 (Leg w/ Bracket)
- 4x P4 (Leg w/o Bracket)

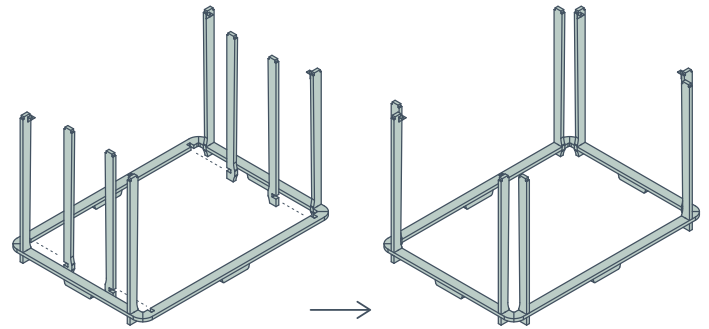
Please note that you will also need a Philips Head Screwdriver.

Step One



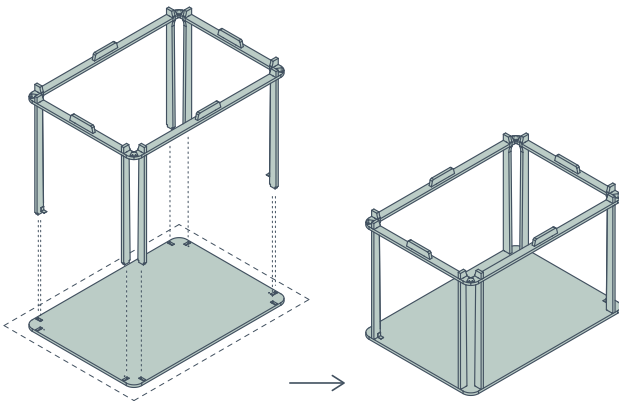
- Slot 4x P3 (Leg w/ Bracket) into shorter ends of P2 (Base).

Step Two



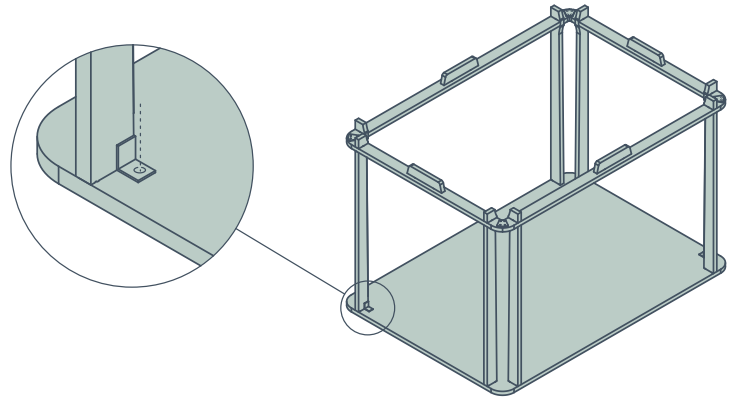
- Slot 4x P4 (Leg w/out Bracket) into remaining voids in longer ends of P2 (Base).

Step Three



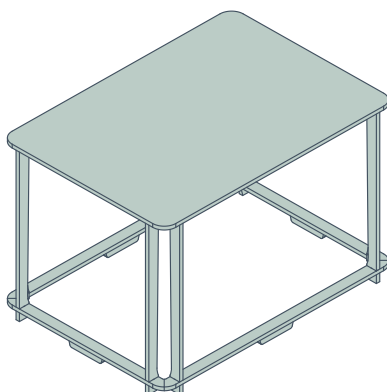
- Place P1 (Top) onto protective blanket with recessed pockets facing upwards.
- Lower each leg into it's corresponding pocket, ensuring the brackets align with the predrilled holes.

Step Four



- Unscrew the grub screws from the ply block and use to fasten the brackets into P1 (Top).

Step Five



- Turn Jack over and slide onto your existing wire dog crate!



www.thepawsroom.com.au

bestfriends@thepawsroom.com.au

0415 599 542