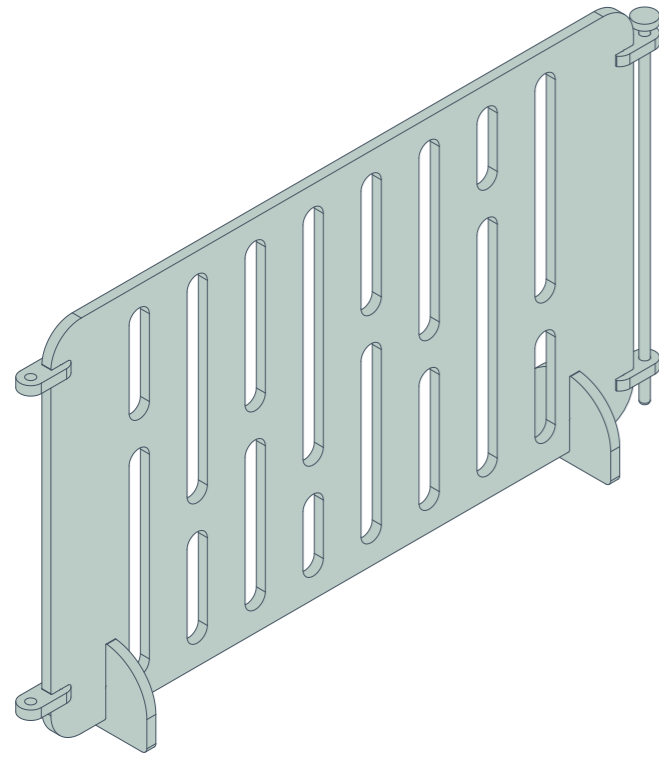
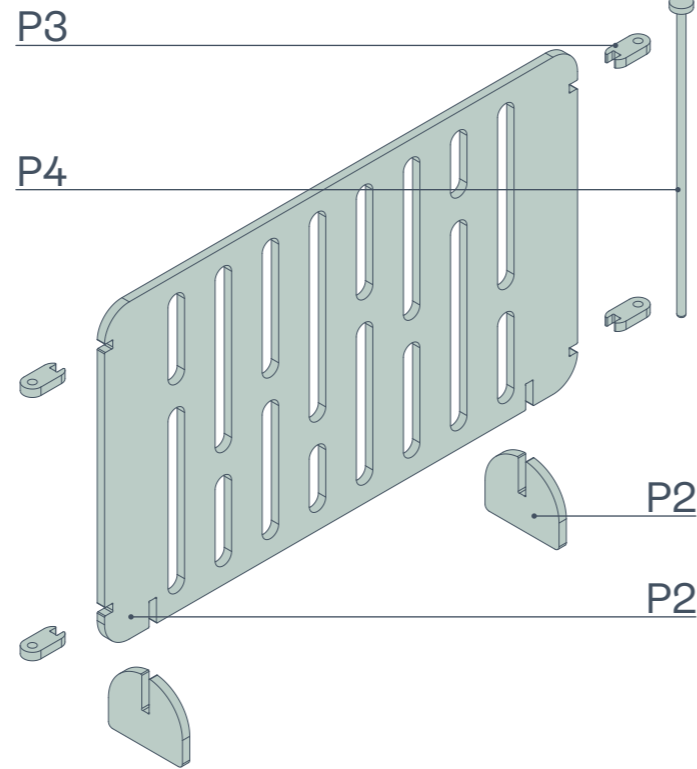


Assembly Instructions



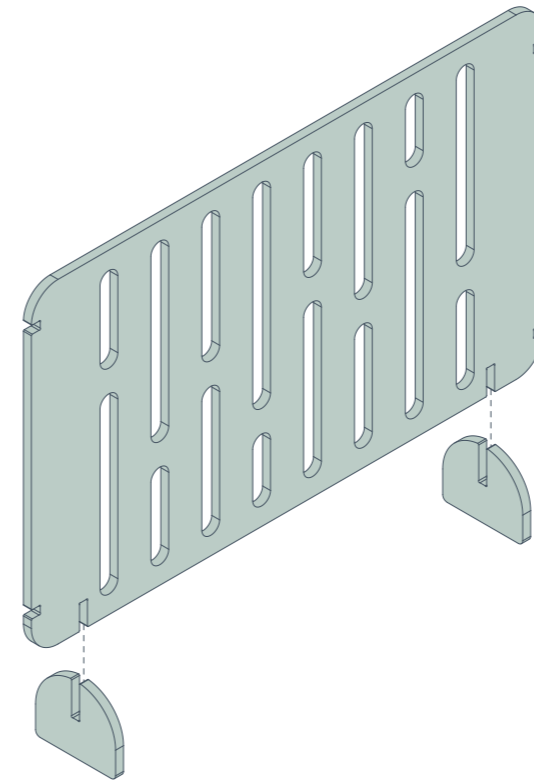
Buddy
Small & Large

Parts List



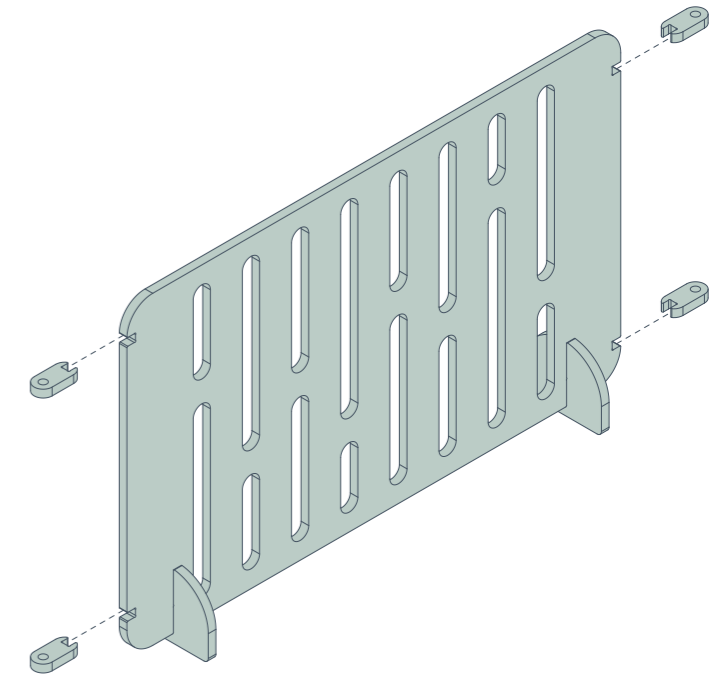
- 1x P1 (Panel)
- 2x P2 (Foot)
- 4x P3 (Tab)
- 1x P4 (Rod)

Step One



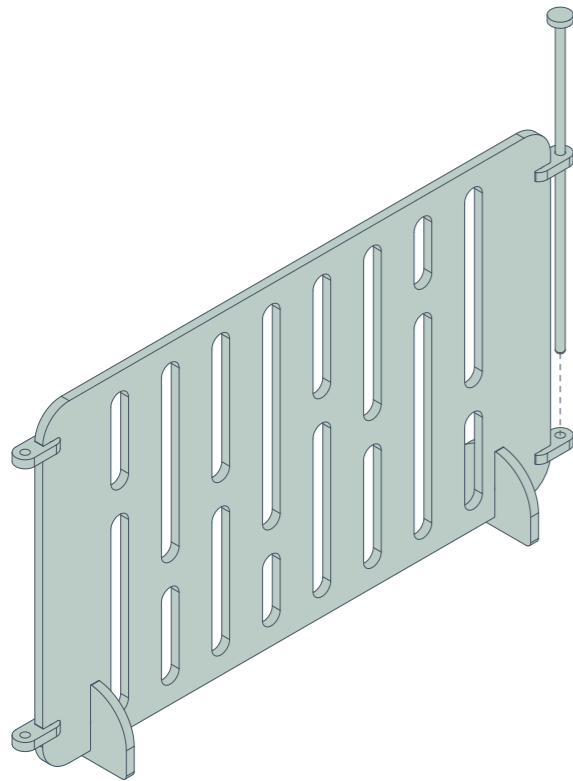
- Slide P2 (Feet) into slots in base of P1 (Panel).

Step Two



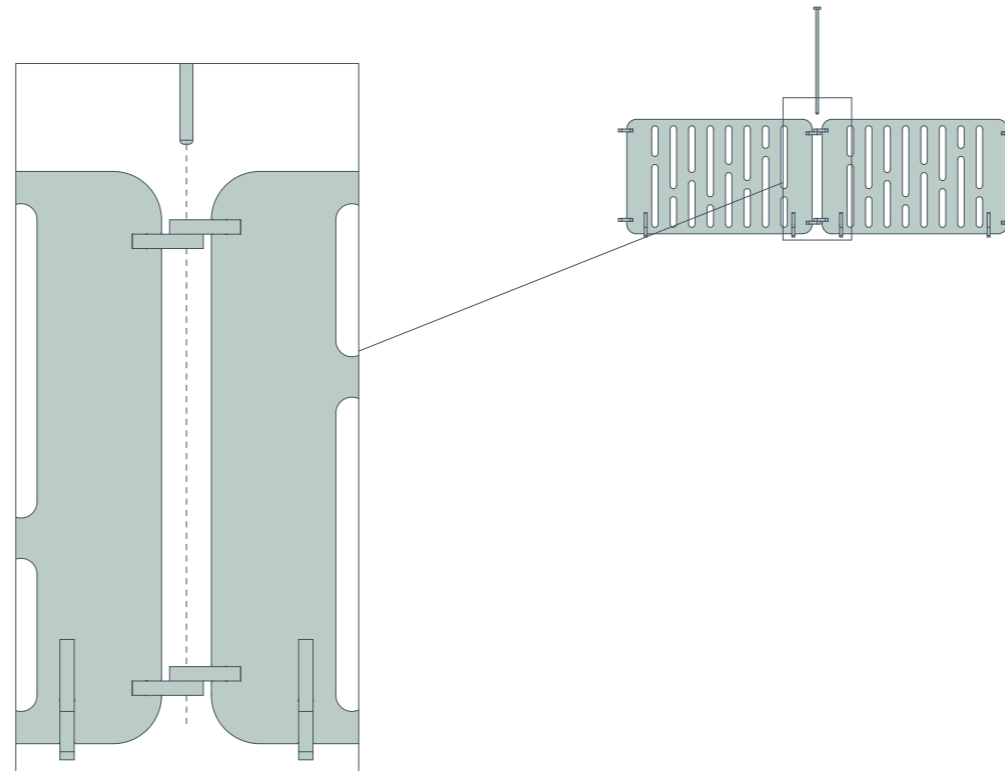
- Slide P3 (Tabs) into slots in side of P1 (Panel).

Step Three



- Slide P4 (Rod) into holes in P3 (Tabs).

Step Four



- To link panels together, orient second panels so that tabs lap one another as shown.
- Pass P4 (Rod) through all P3 (Tabs) and repeat until desired pen is created.



www.thepawsroom.com.au

bestfriends@thepawsroom.com.au

0415 599 542