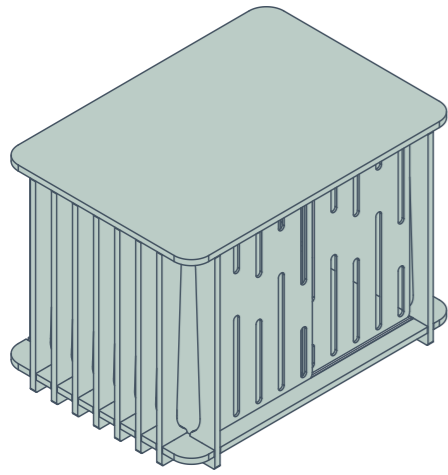
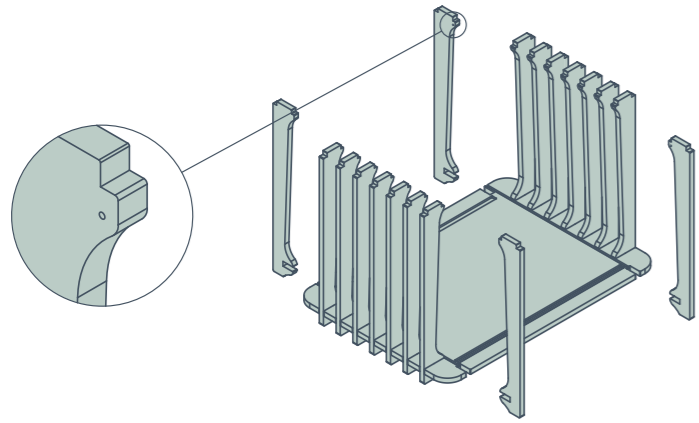


Assembly Instructions



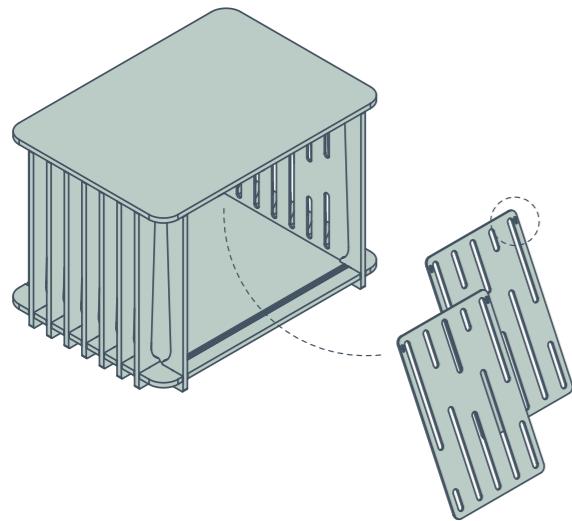
Teddy Small/Medium

Step Three



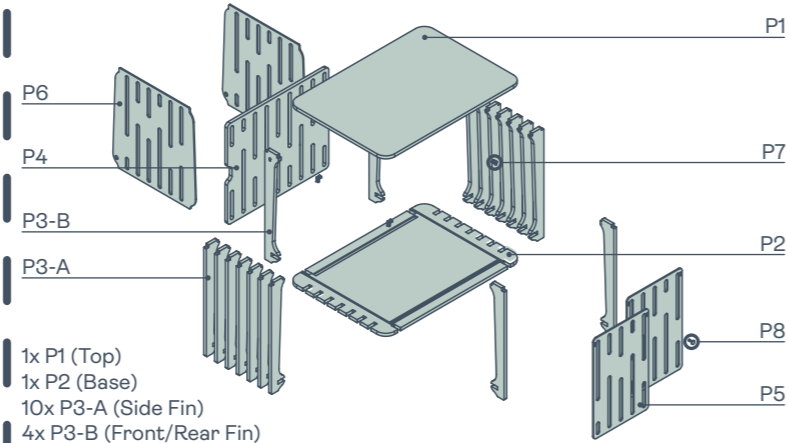
- Slide P3-B (Front/Rear Fin) into P2 (Base).
- Ensure small pilot holes are facing inwards as shown.

Step Seven



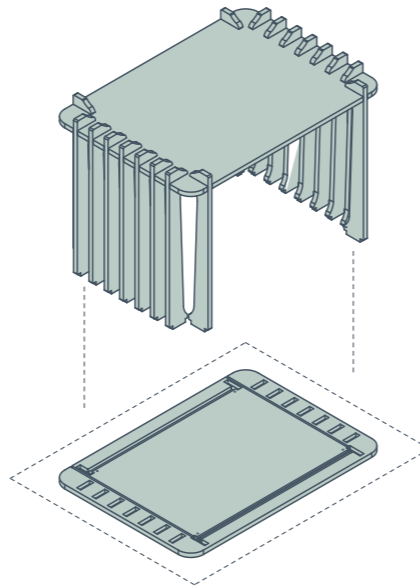
- Tilt each P5 (Door) and slot into groove in underside of P1 (Top).
- Straighten each P5 (Door) and drop into groove in P2 (Base).

Parts List



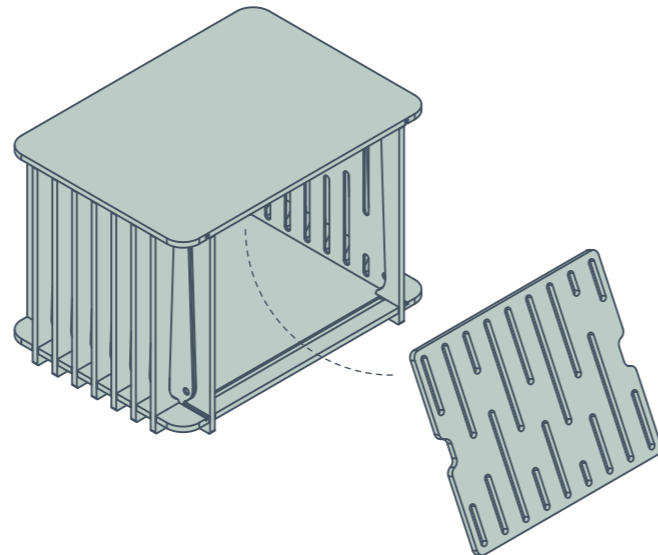
- 1x P1 (Top)
- 1x P2 (Base)
- 10x P3-A (Side Fin)
- 4x P3-B (Front/Rear Fin)
- 1x P4 (Back)
- 2x P5 (Door)
- 2x P6 (Chew Proof Screen - Sold Separately)
- 4x P7 (Bracket)
- 1x P8 (Locking Pin)
- 8x F1 (Screw)
- *Please note that you will also need a Philips Head Screwdriver.

Step Four



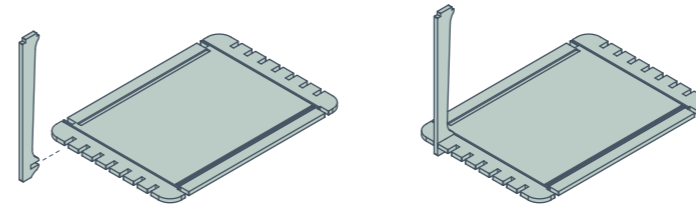
- Lay P1 (Top) on a blanket with grooves facing upwards.
- Lower the assembled base upside down, aligning fins with pockets.

Step Eight



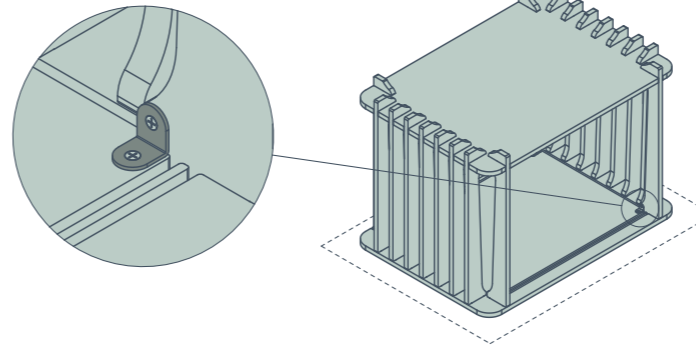
- Rotate and repeat the Step Seven method to fit P4 (Back) in opposing side.

Step One



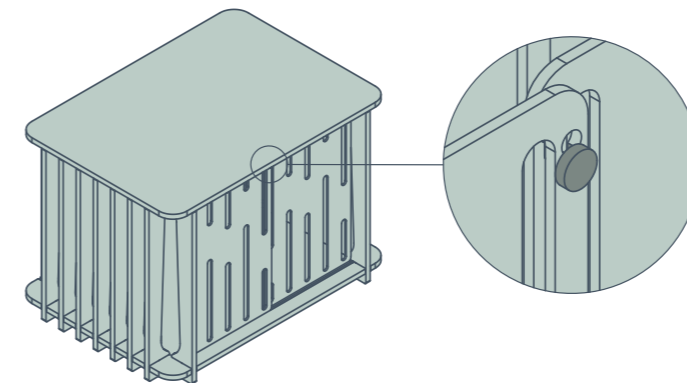
- Position P2 (Base) with grooves facing upwards.
- Slide P3-A (Side Fin) into P2 (Base).

Step Five



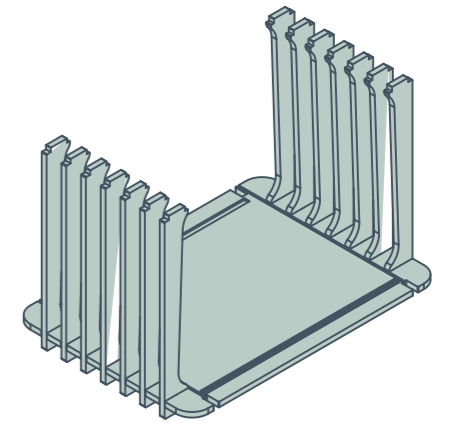
- With all fins fully seated, align P7 (Brackets) with small pilot holes in P1 (Top) and P3-B (Front/Rear Fins).
- Using the screwdriver, wind F1 (Screws) into each of the eight holes securing all brackets.

Step Nine



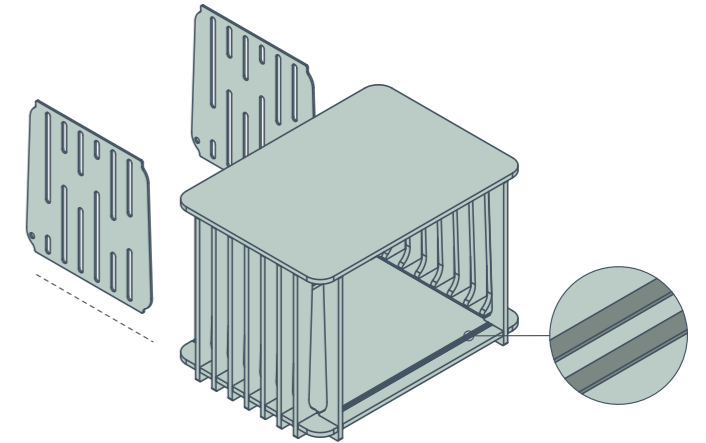
- Use P8 (Locking Pin) to secure the two front doors together.
- When leaving the doors open, store in the key shaped hole in the fin.

Step Two



- Repeat Step One for each P3-A (Side Fin).
- Gently tap with a rubber mallet if required.

Step Six (Optional Step)



- Flip assembled frame upright, orientating the two grooves forward.
- If you've also purchased the Chew Proof Screens, slide them into the rear slots, positioning the finger holes to the rear.



www.thepawsroom.com.au

bestfriends@thepawsroom.com.au

0415 599 542