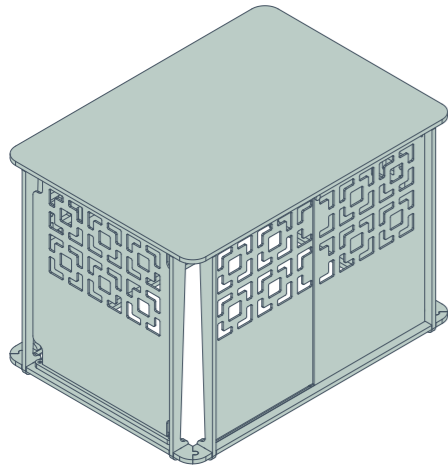
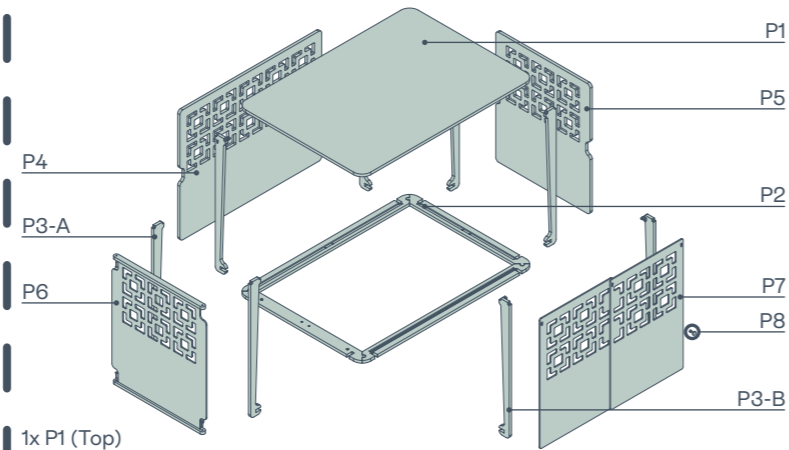


Assembly Instructions



Harley Extra Large Step Three

Parts List

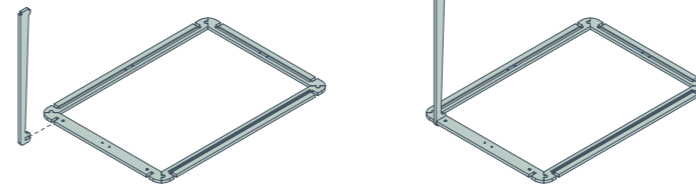


- 1x P1 (Top)
- 1x P2 (Base)
- 4x P3-A (Side Fin)
- 4x P3-B (Front/Rear Fin)
- 1x P4 (Back Panel)
- 1x P5 (Side Panel)
- 1x P6 (Pivoting Door)
- 2x P7 (Sliding Door)

- 1x P8 (Locking Pin)
- 2x F1 (Hinge Screw)
- 1x F2 (Thumb Screw)
- 4x F3 (Bracket Screw)

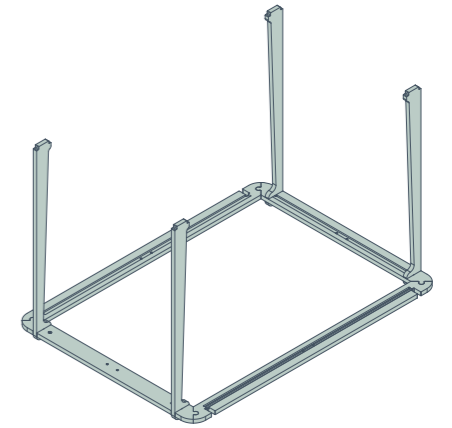
*Please note that you will also need a Screwdriver.

Step One



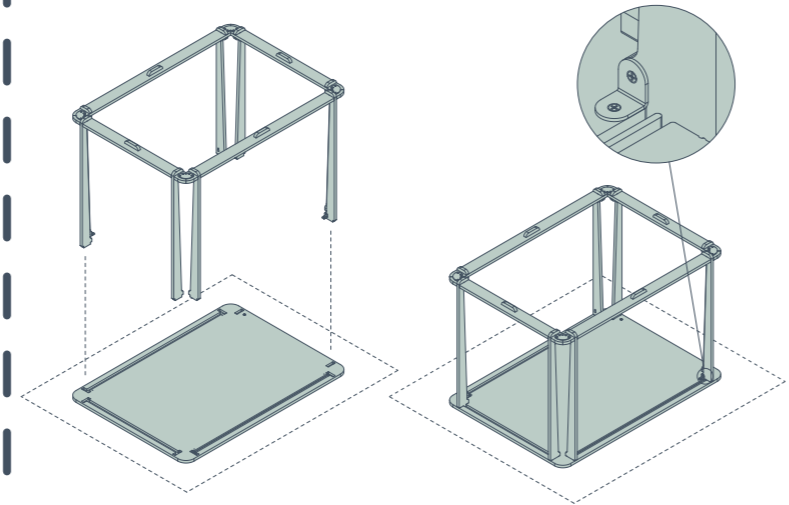
- Position P2 (Base) with grooves facing upwards.
- Slide P3-A (Side Fin) into P2 (Base).

Step Two



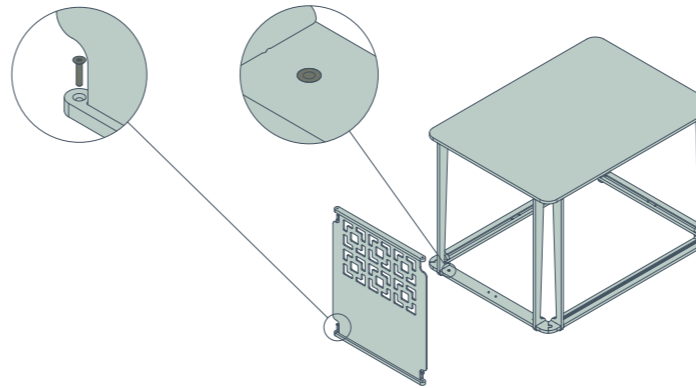
- Repeat Step One for each P3-A (Side Fin).
- Gently tap with a rubber mallet if required.

Step Four



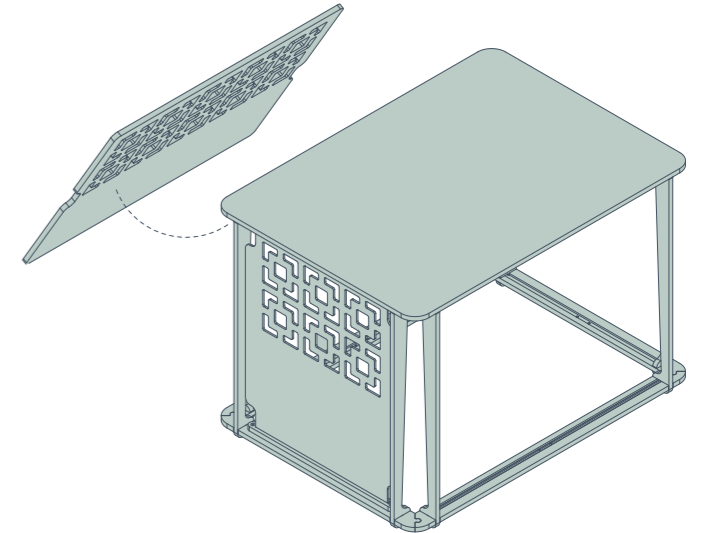
- Lay P1 (Top) on a blanket with grooves facing upwards.
- Lower the assembled base upside down, aligning fins with pockets.
- Secure brackets to P1 (Top) using F3 (Bracket Screws).

Step Five



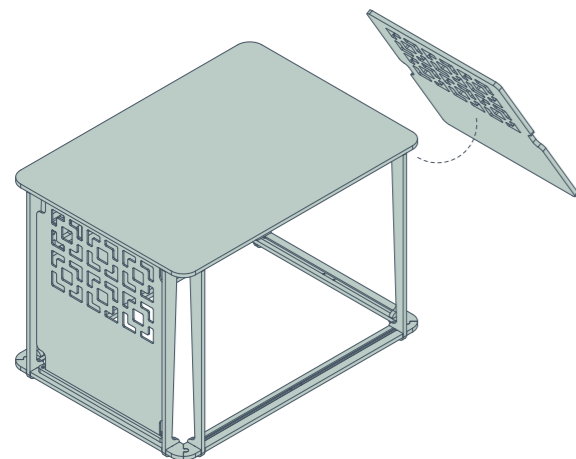
- Flip assembled frame upright, orientating the two grooves forward.
- Position P6 (Swinging Door) so that the countersunk holes align with inserts in both P2 (Base) and underside of P1 (Top).
- Secure door in place using F1 (Hinge Screws).

Step Six (Optional Step)



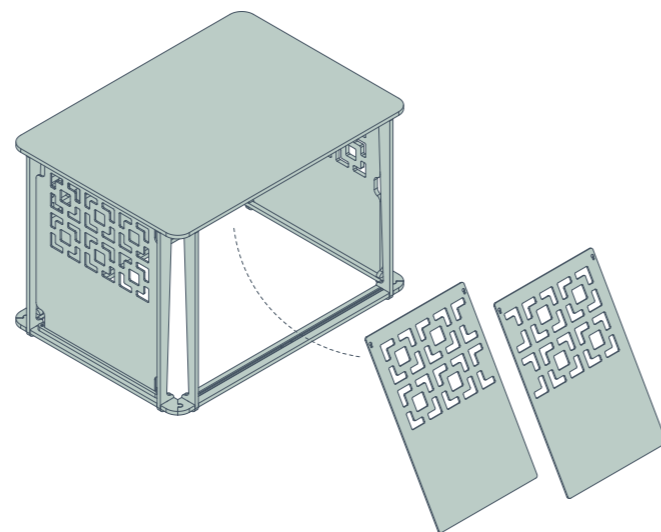
- Tilt P4 (Back Panel) and slot into groove in underside of P1 (Top).
- Straighten P4 (Back Panel) and drop into groove in P2 (Base).

Step Seven



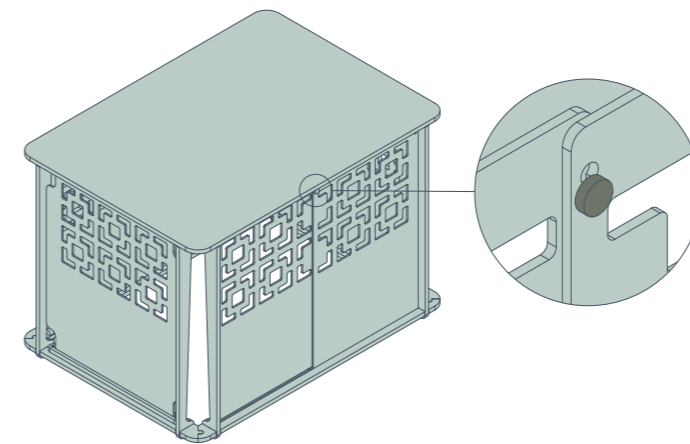
- Tilt P5 (Side Panel) and slot into groove in underside of P1 (Top).
- Straighten P5 (Side Panel) and drop into groove in P2 (Base).

Step Eight



- Tilt each P7 (Sliding Door) and slot into groove in underside of P1 (Top).
- Straighten P7 (Sliding Door) and drop into groove in P2 (Base).

Step Nine



- Use P8 (Locking Pin) to secure the two sliding doors together.
- When leaving the doors open, store in the key shaped hole in the fin.



www.thepawsroom.com.au

bestfriends@thepawsroom.com.au

0415 599 542