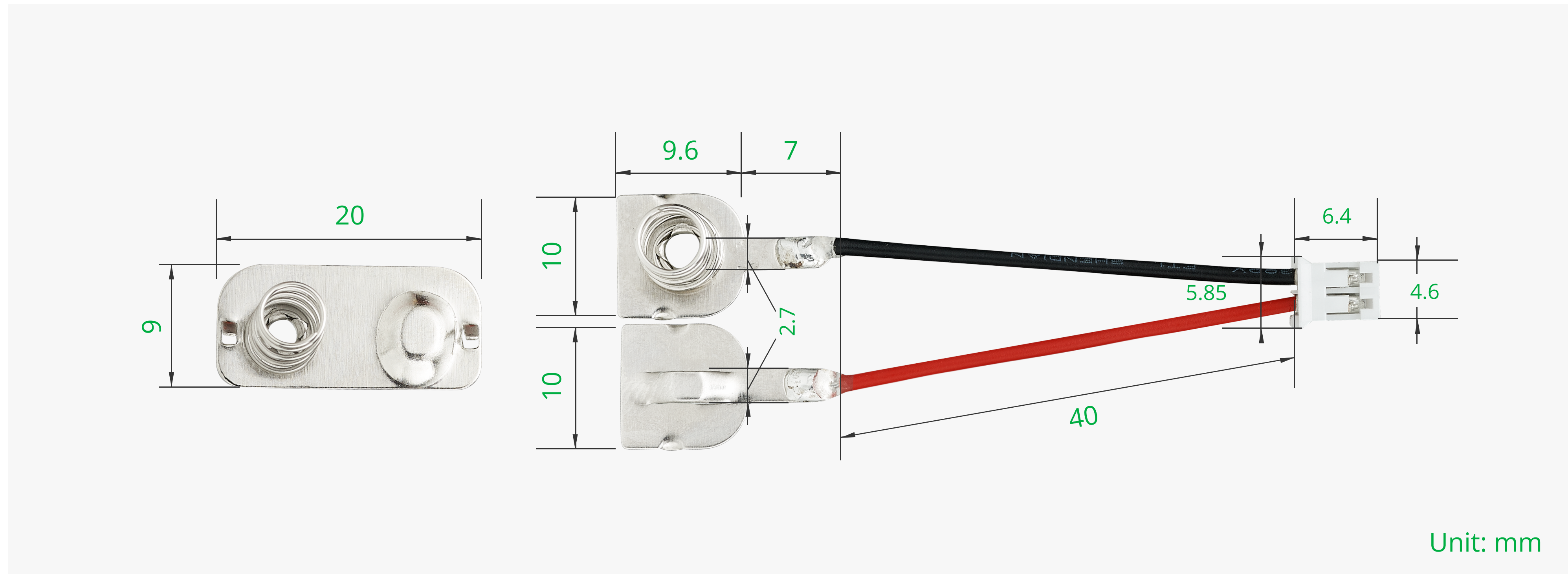


AAA Battery Spring Contact Plate with PH2.0 Connector



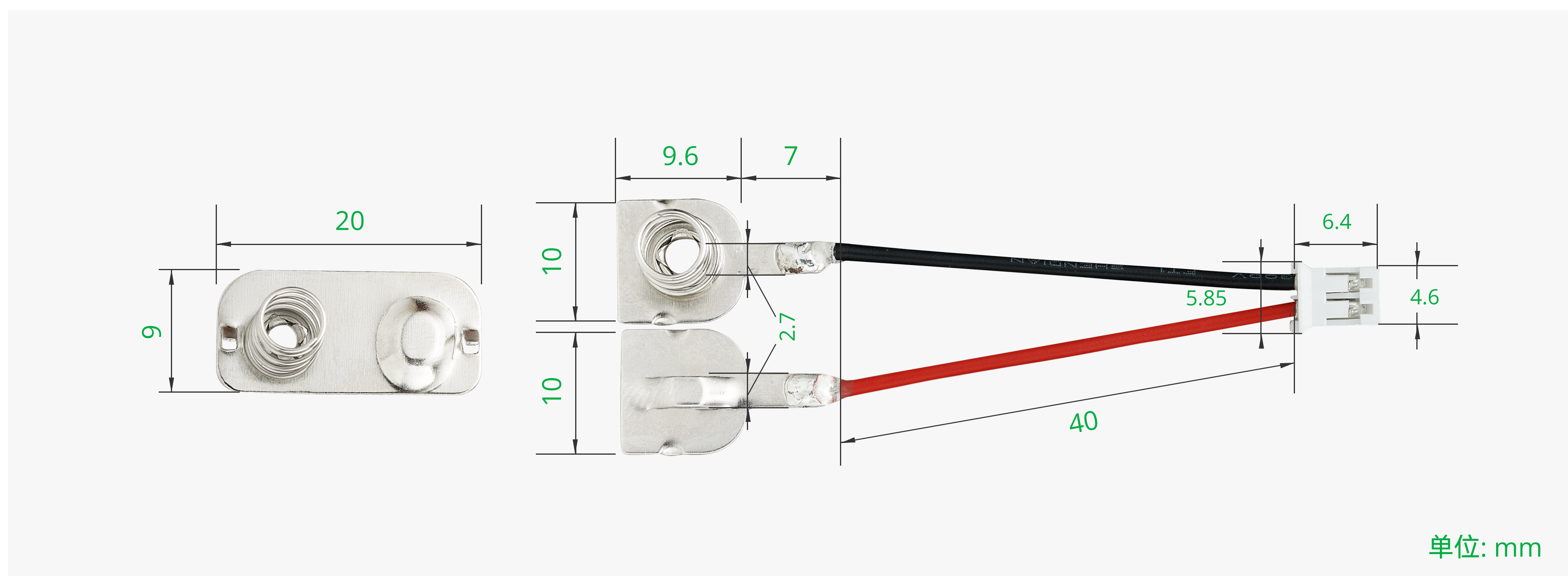
Product Specifications

Product ID	Connector Model	Material
IA008	PH2.0	Manganese steel nickel plated

Consideration

- The package includes the negative and positive spring plates only. You will need to print your own battery box and purchase the batteries yourself.
- Ensure correct installation of the positive and negative spring contact plates of the battery to avoid reverse installation leading to short circuits or damage to the device.

7号电池极片-PH2.0



产品参数

产品 ID	端子型号	材质
IA008	PH2.0	锰钢镀镍

注意事项

- 包装仅包括负极和正极弹簧板，需要自行打印电池盒和购买电池
- 确保正确安装电池的正负极，避免反向安装导致短路或损坏设备