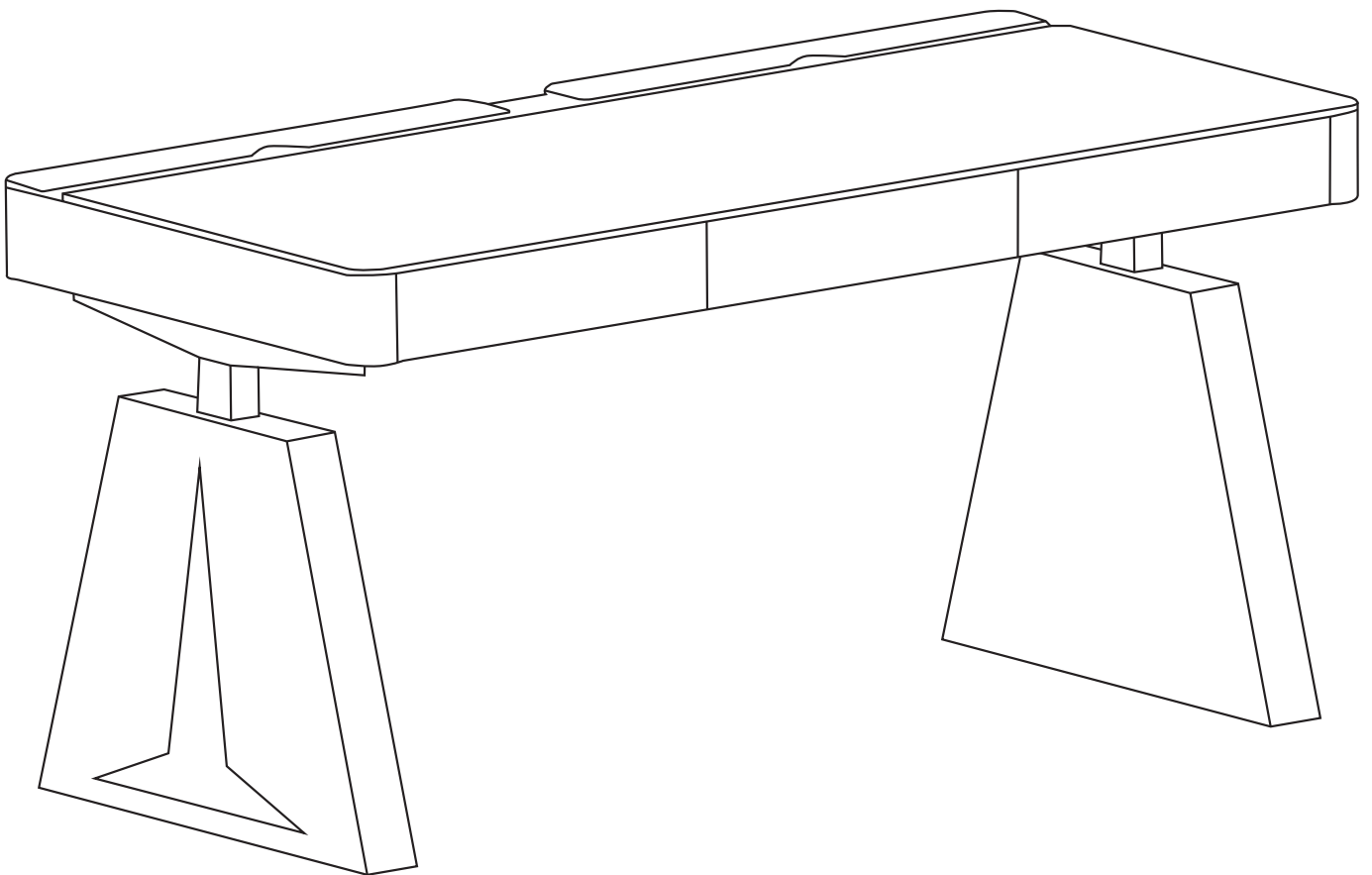
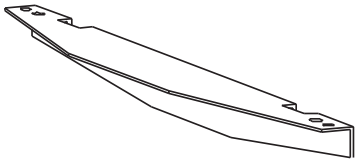


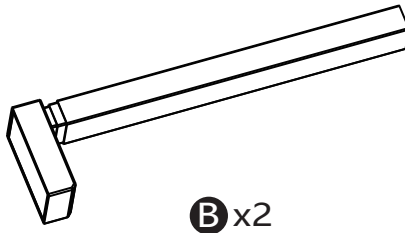
ASSEMBLY INSTRUCTIONS



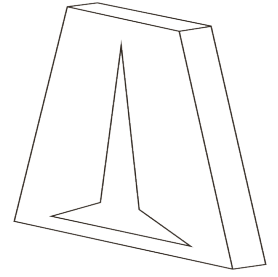
I. PART LIST



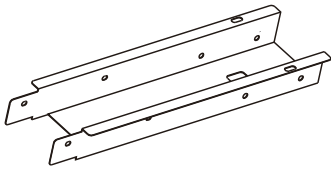
A x2



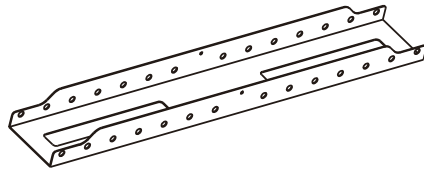
B x2



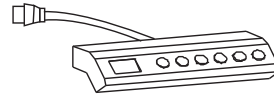
C x2



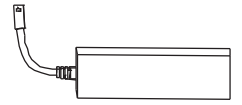
D x2



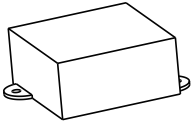
E x1



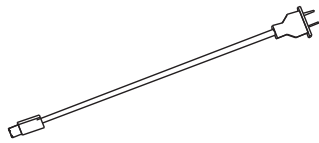
F x1



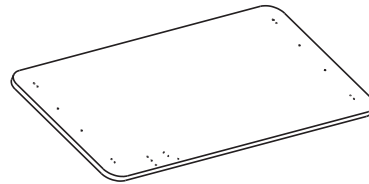
G x1



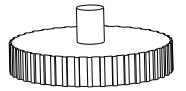
H x1



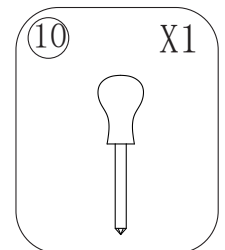
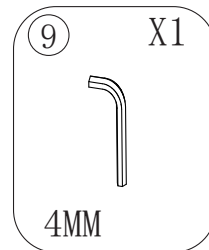
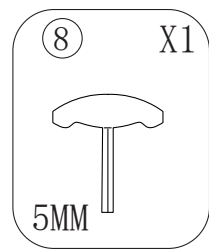
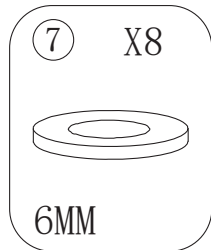
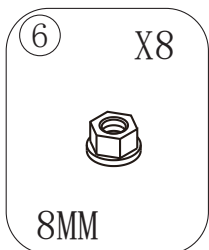
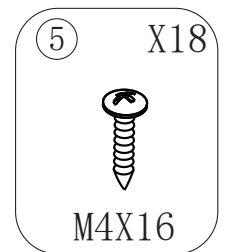
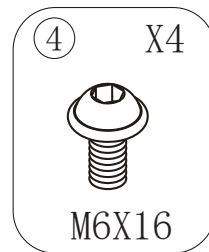
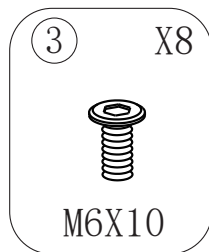
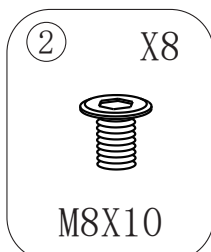
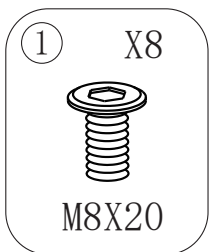
I x1



J x1

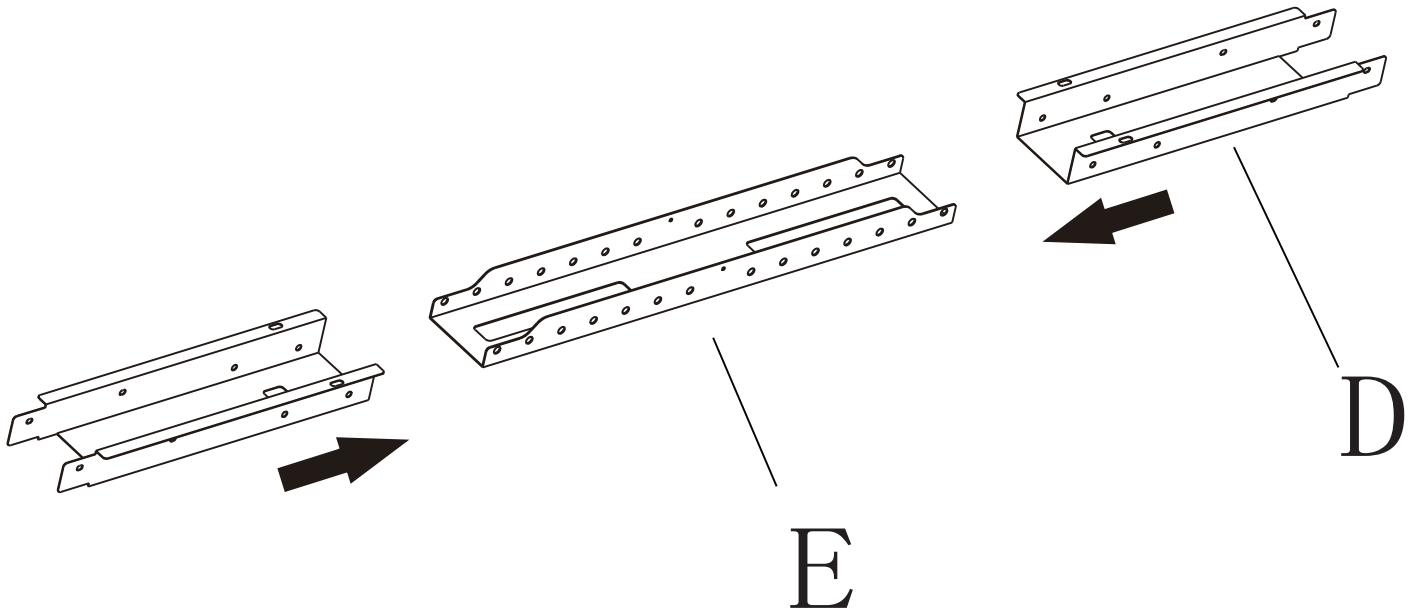


K x4

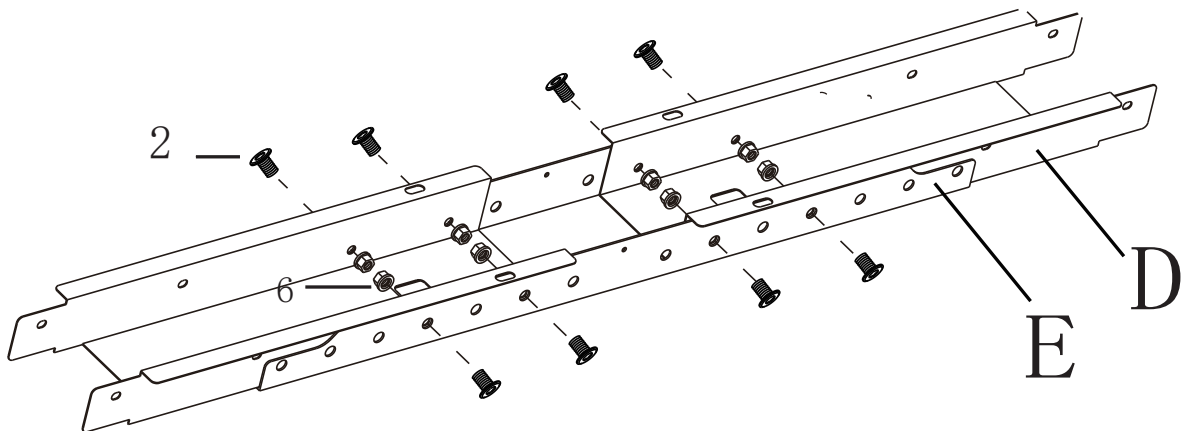
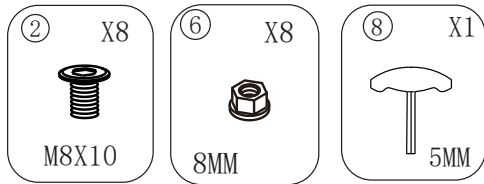


II. INSTALLATION STEP

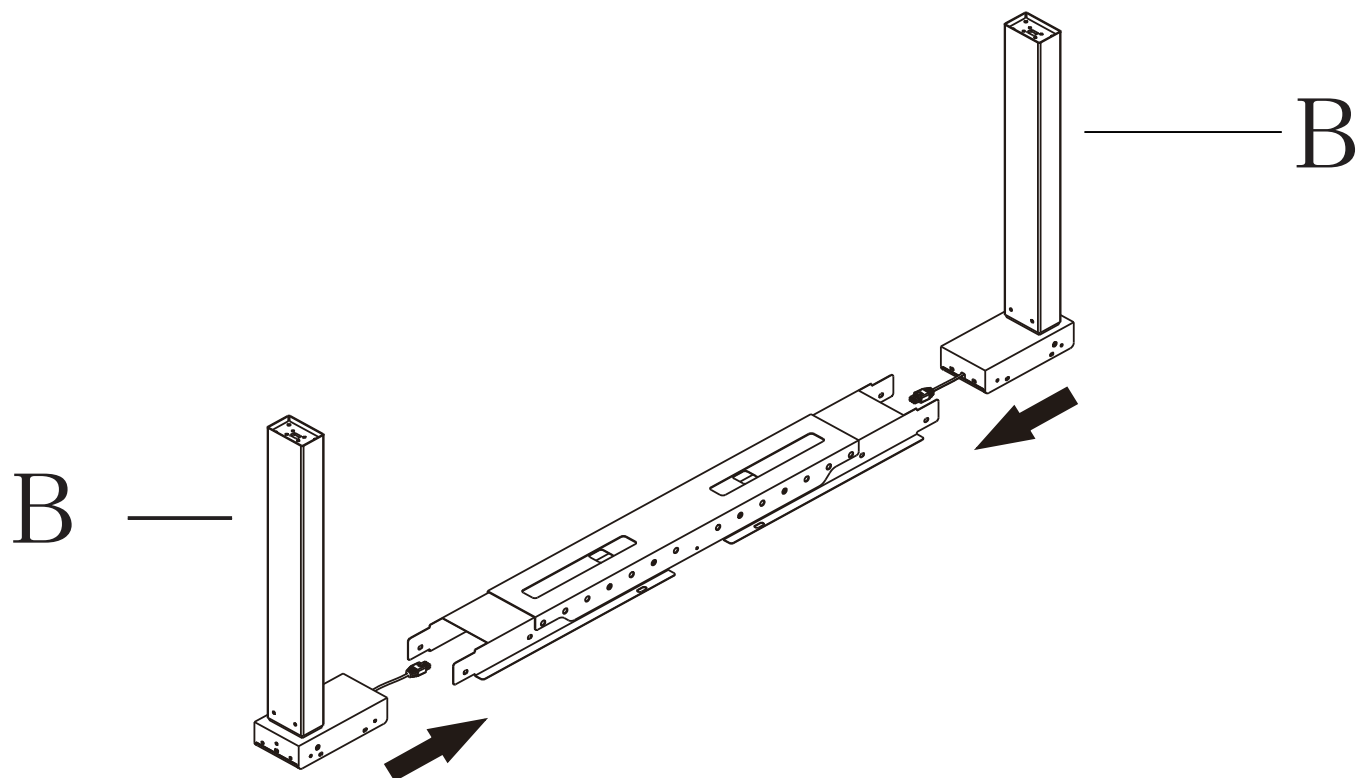
STEP 1



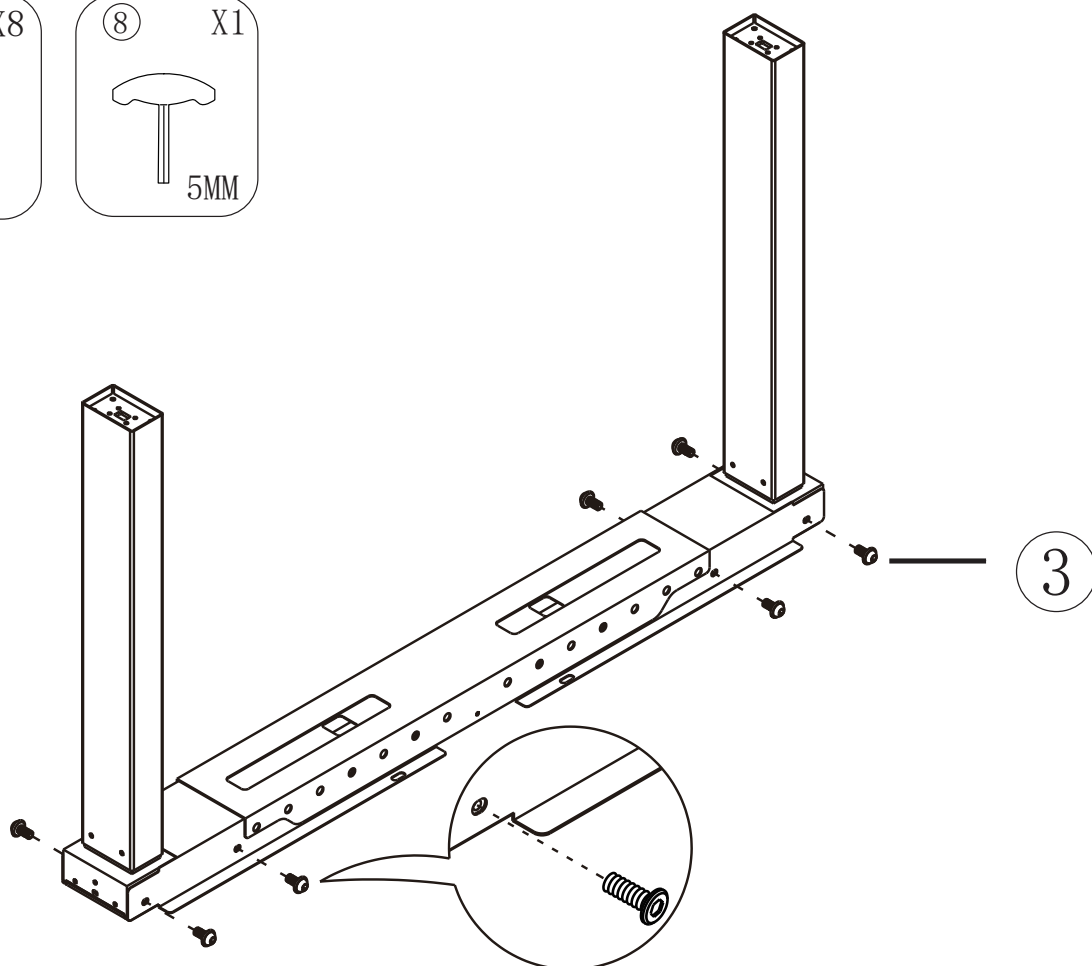
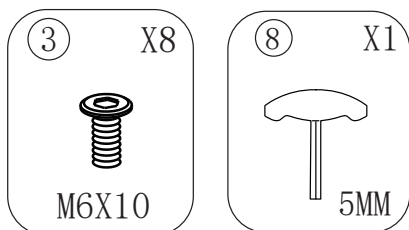
STEP 2



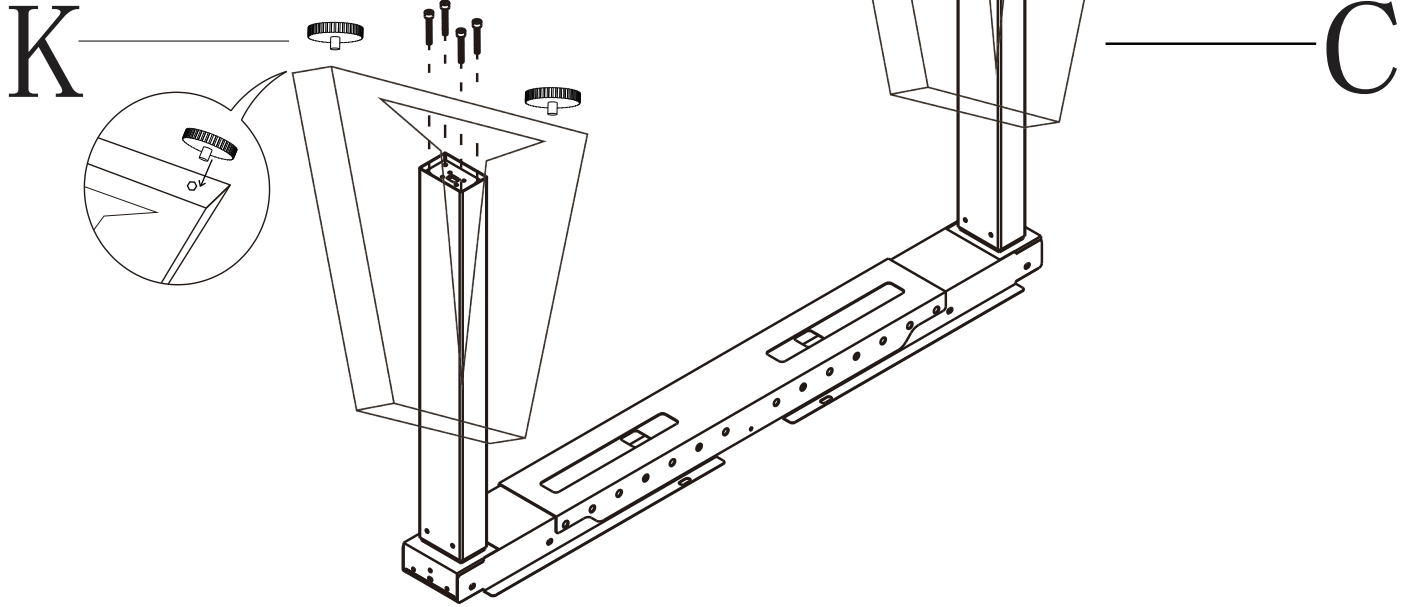
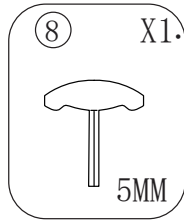
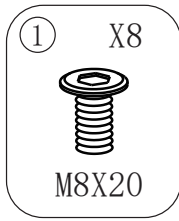
STEP 3



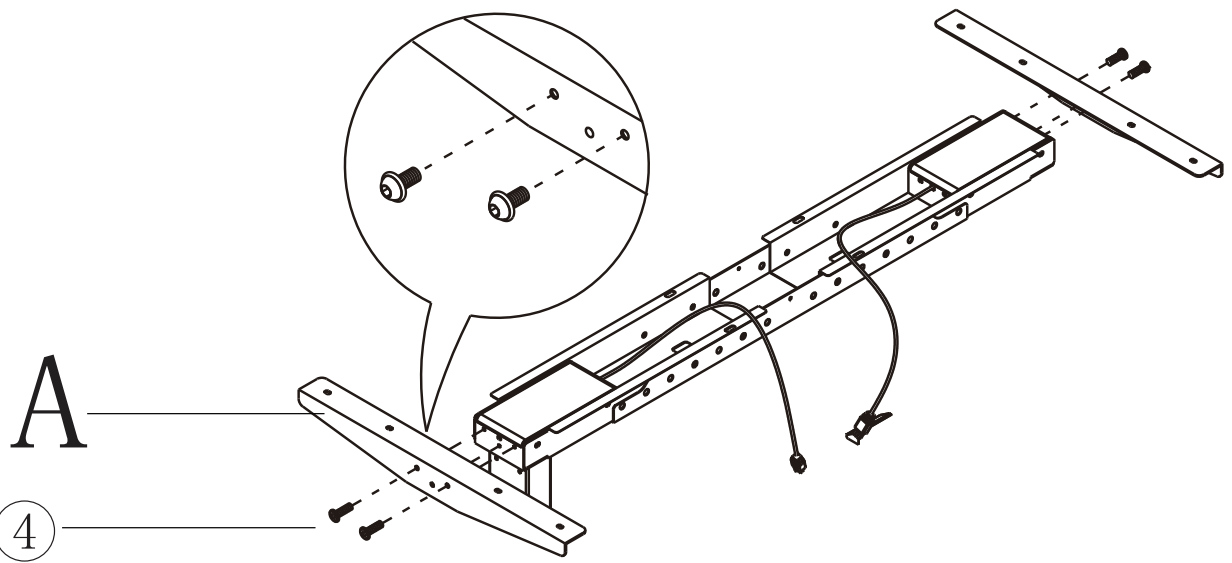
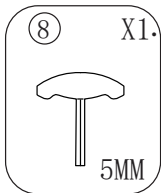
STEP 4



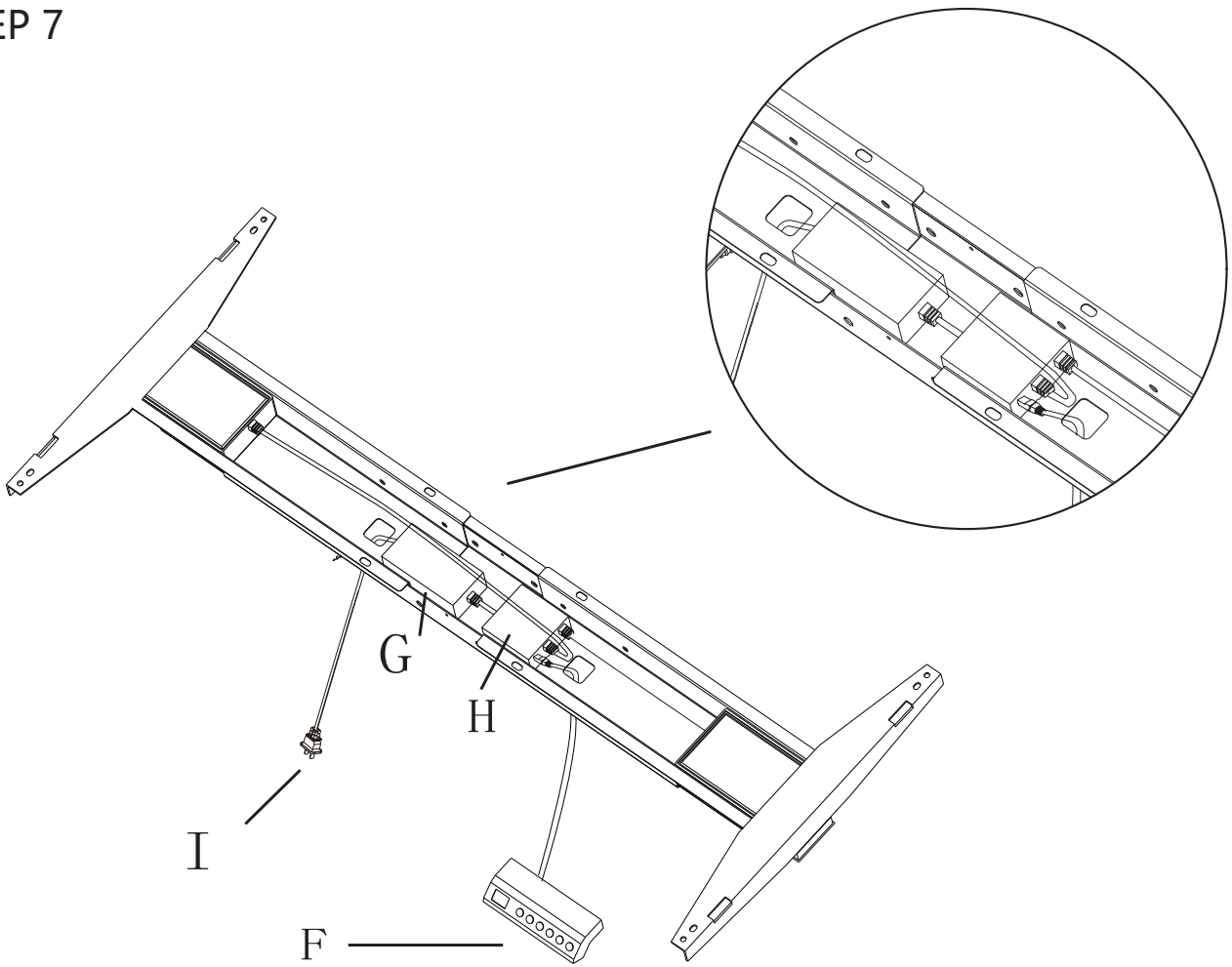
STEP 5



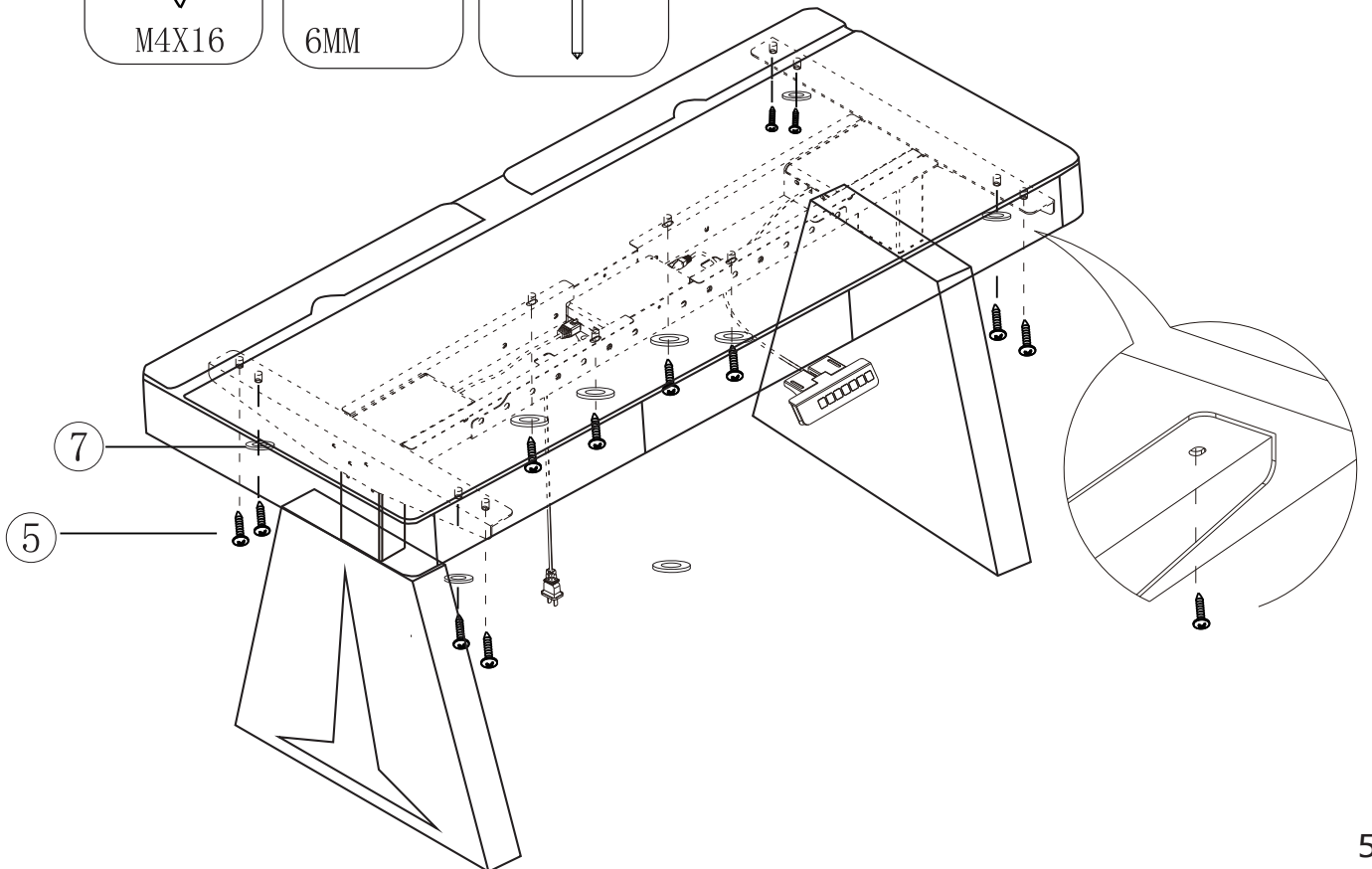
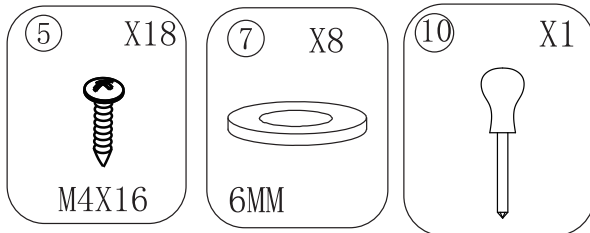
STEP 6



STEP 7



STEP 8



STEP 9

