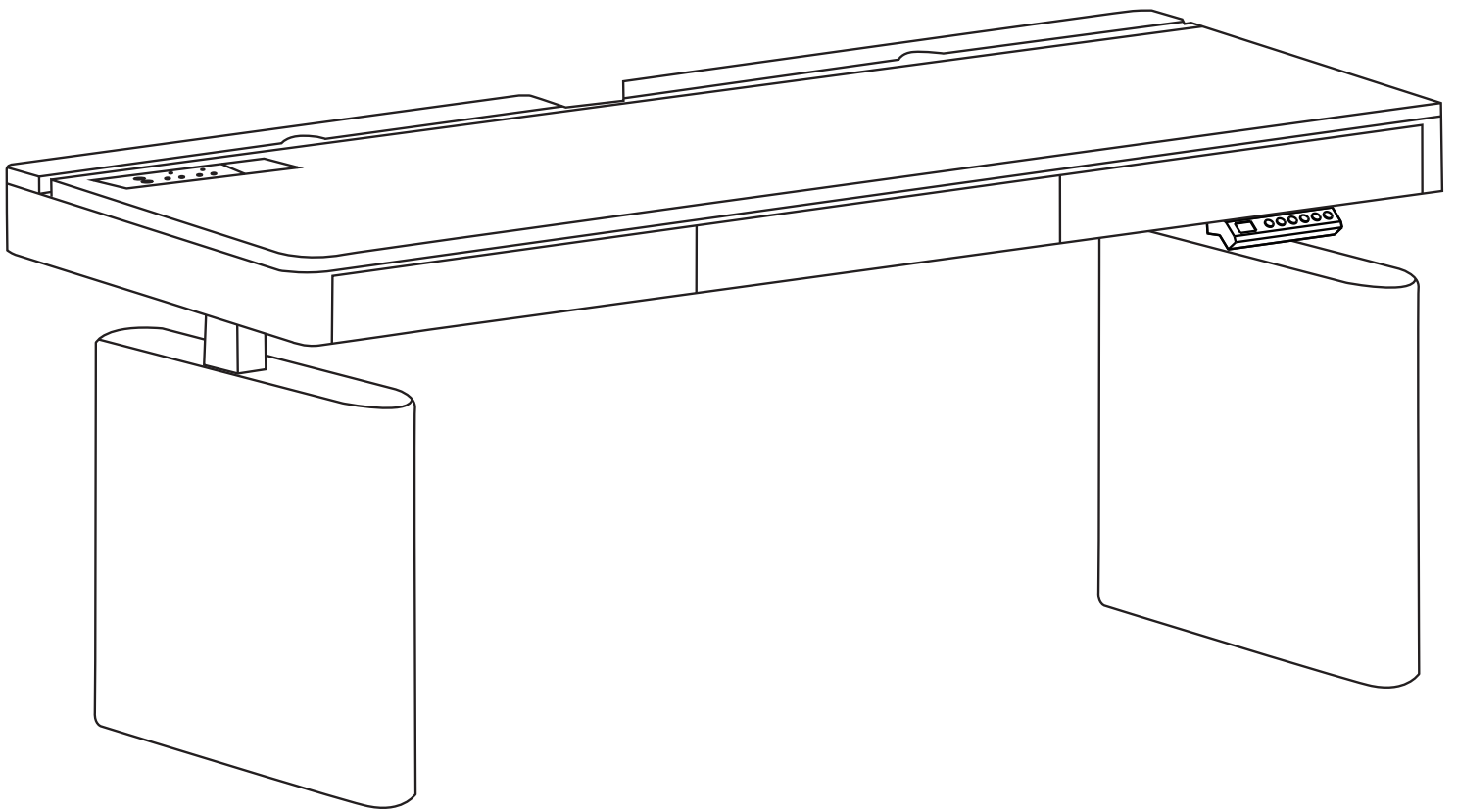
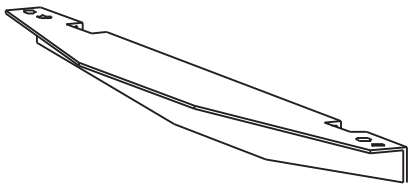


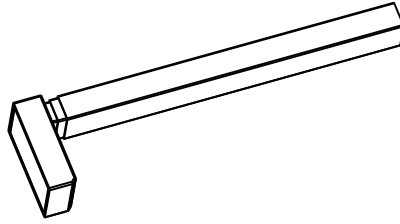
ASSEMBLY INSTRUCTIONS



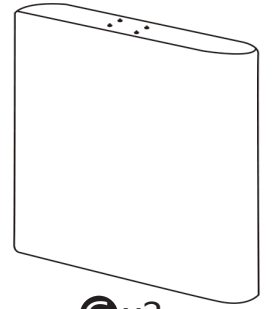
I. PART LIST



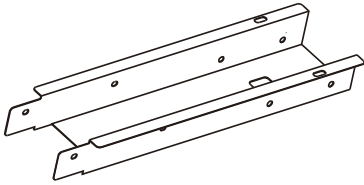
Ax2



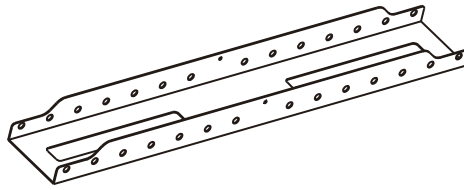
Bx2



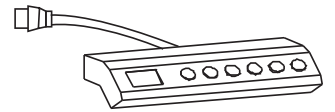
Cx2



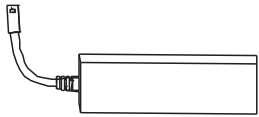
Dx2



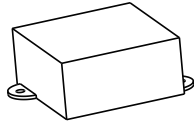
Ex1



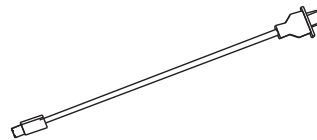
Fx1



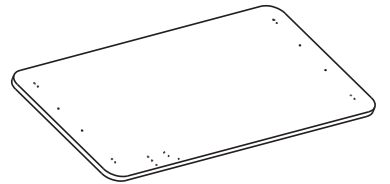
Gx1



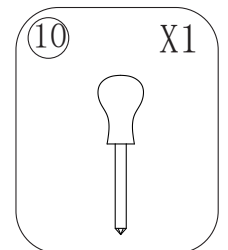
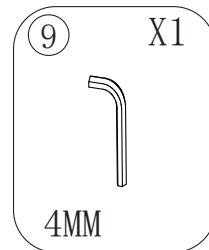
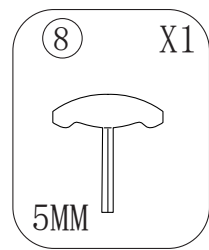
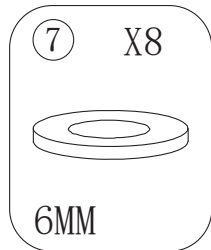
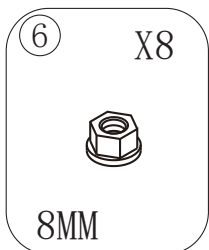
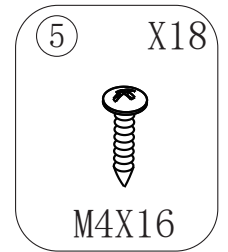
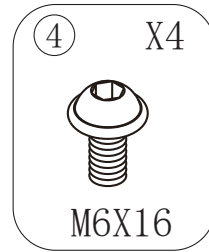
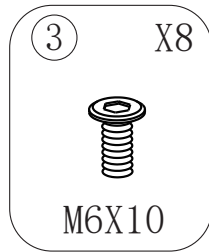
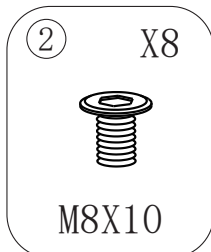
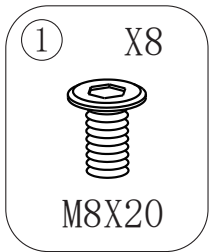
Hx1



Ix1

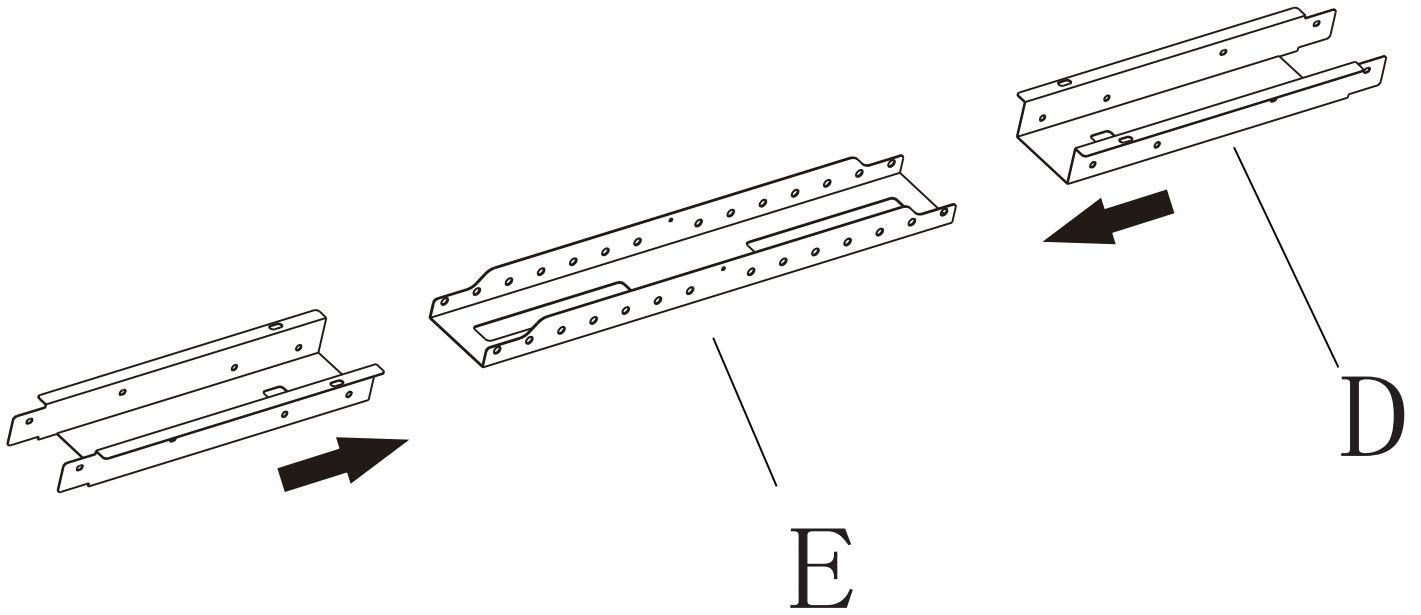


Jx1

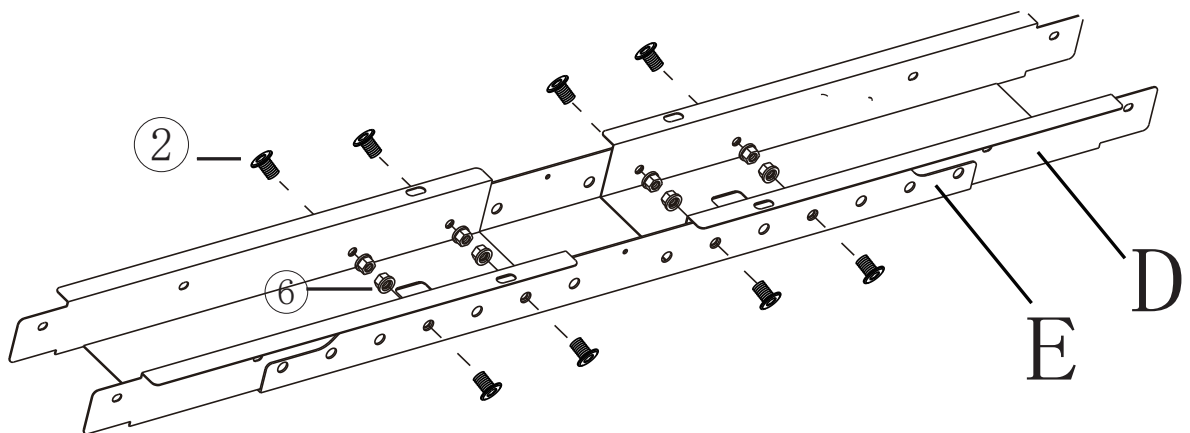
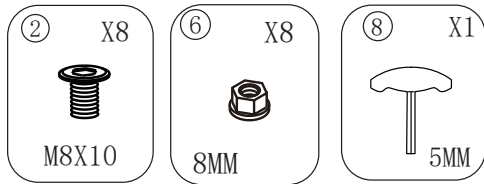


II. INSTALLATION STEP

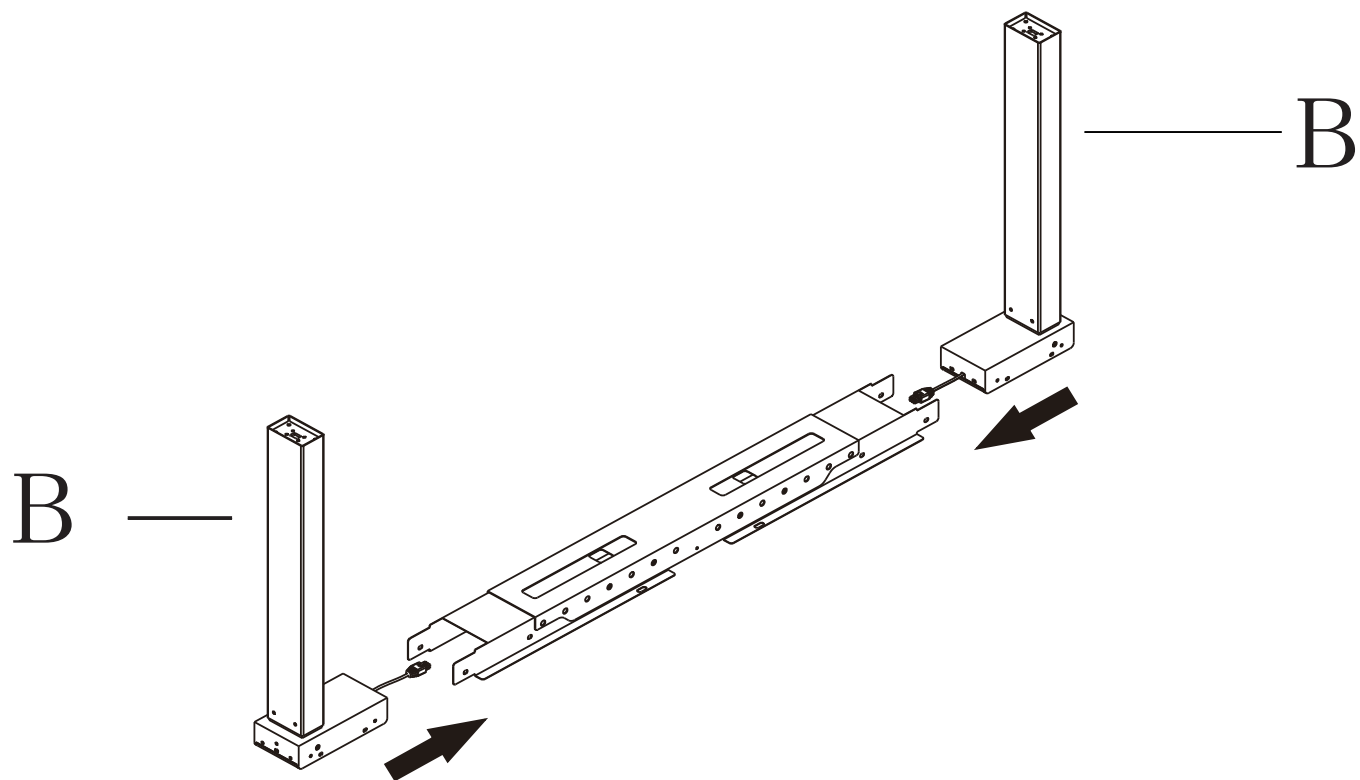
STEP 1



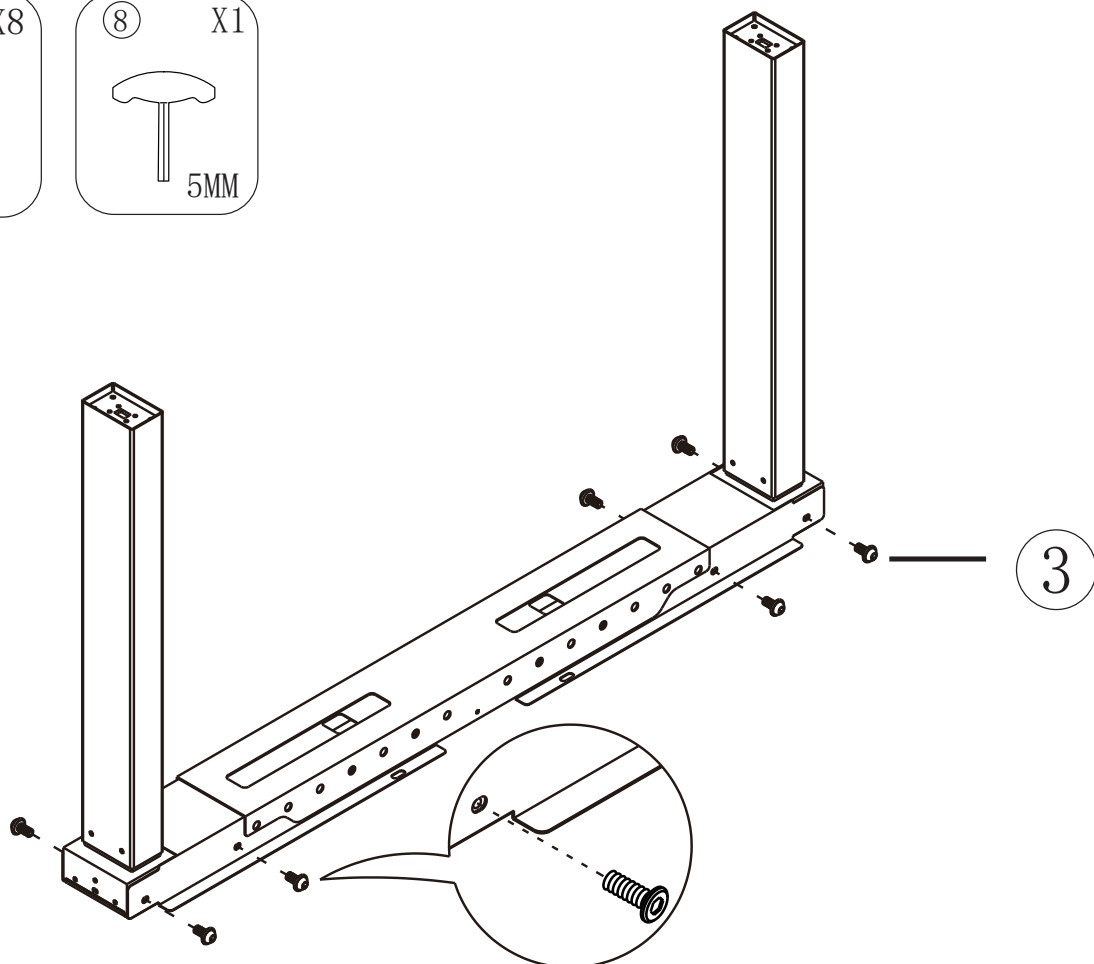
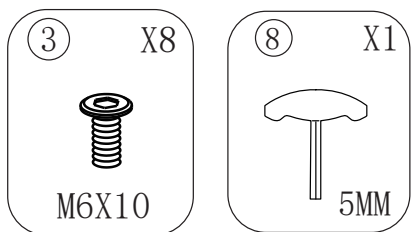
STEP 2



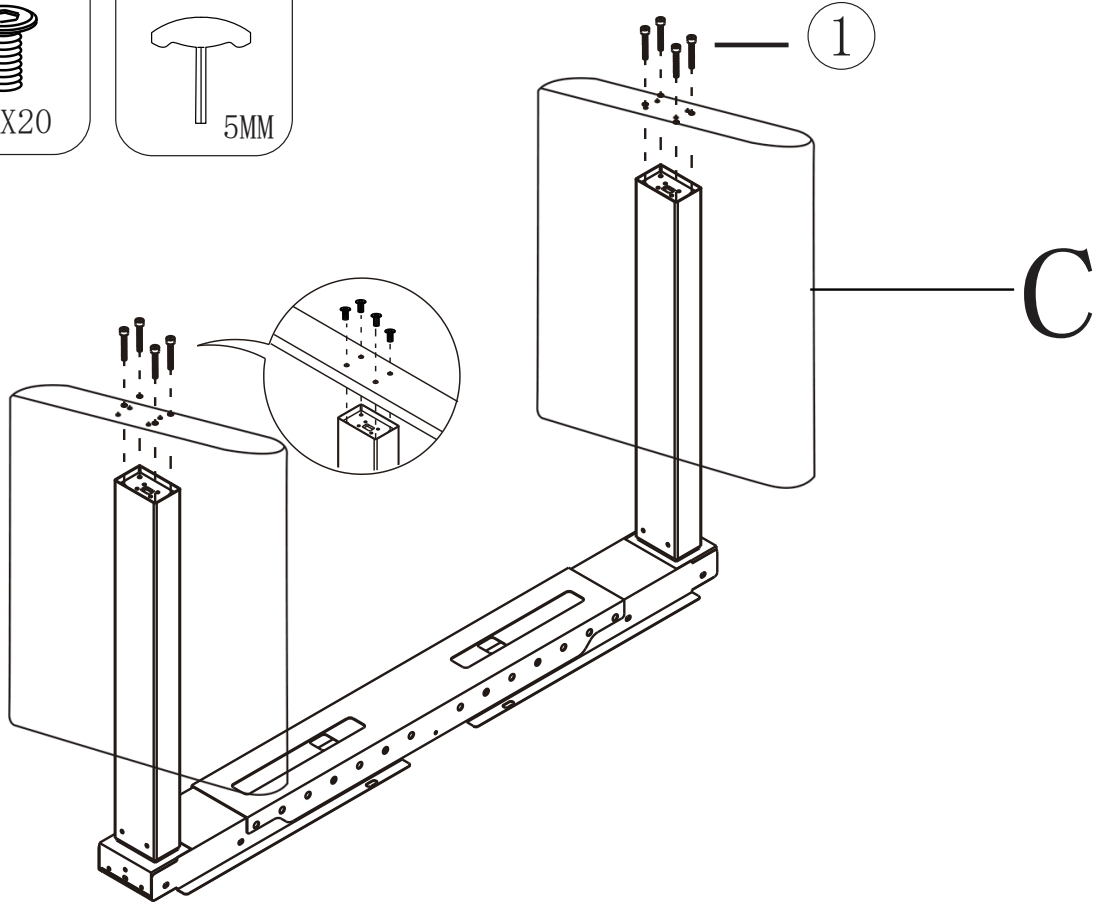
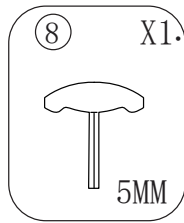
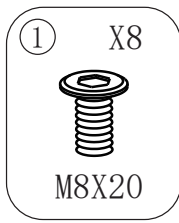
STEP 3



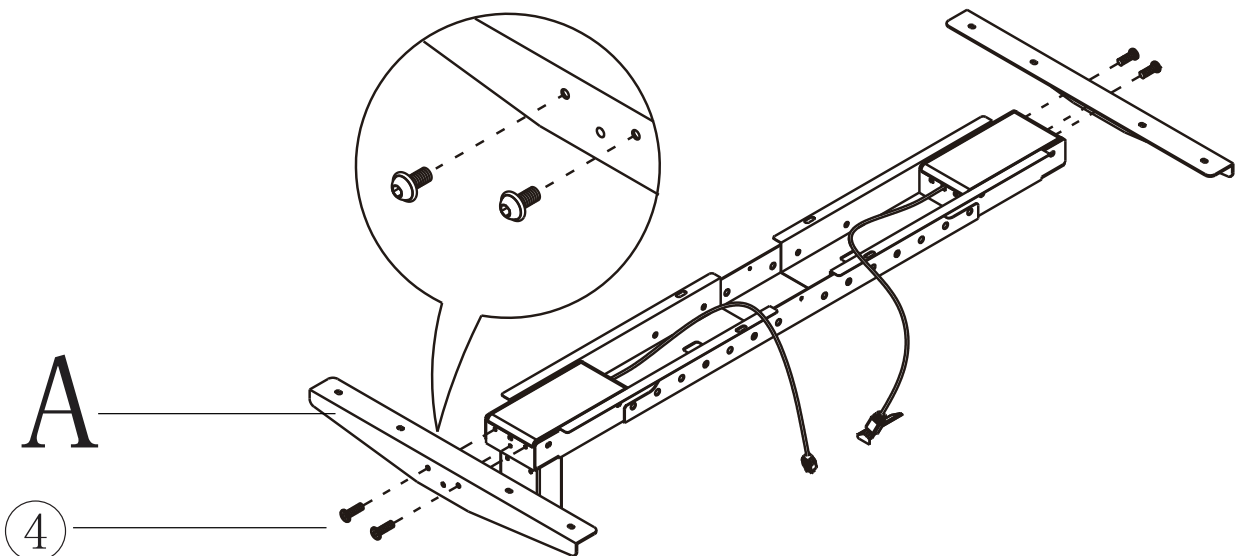
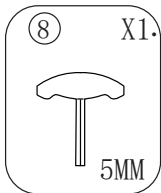
STEP 4



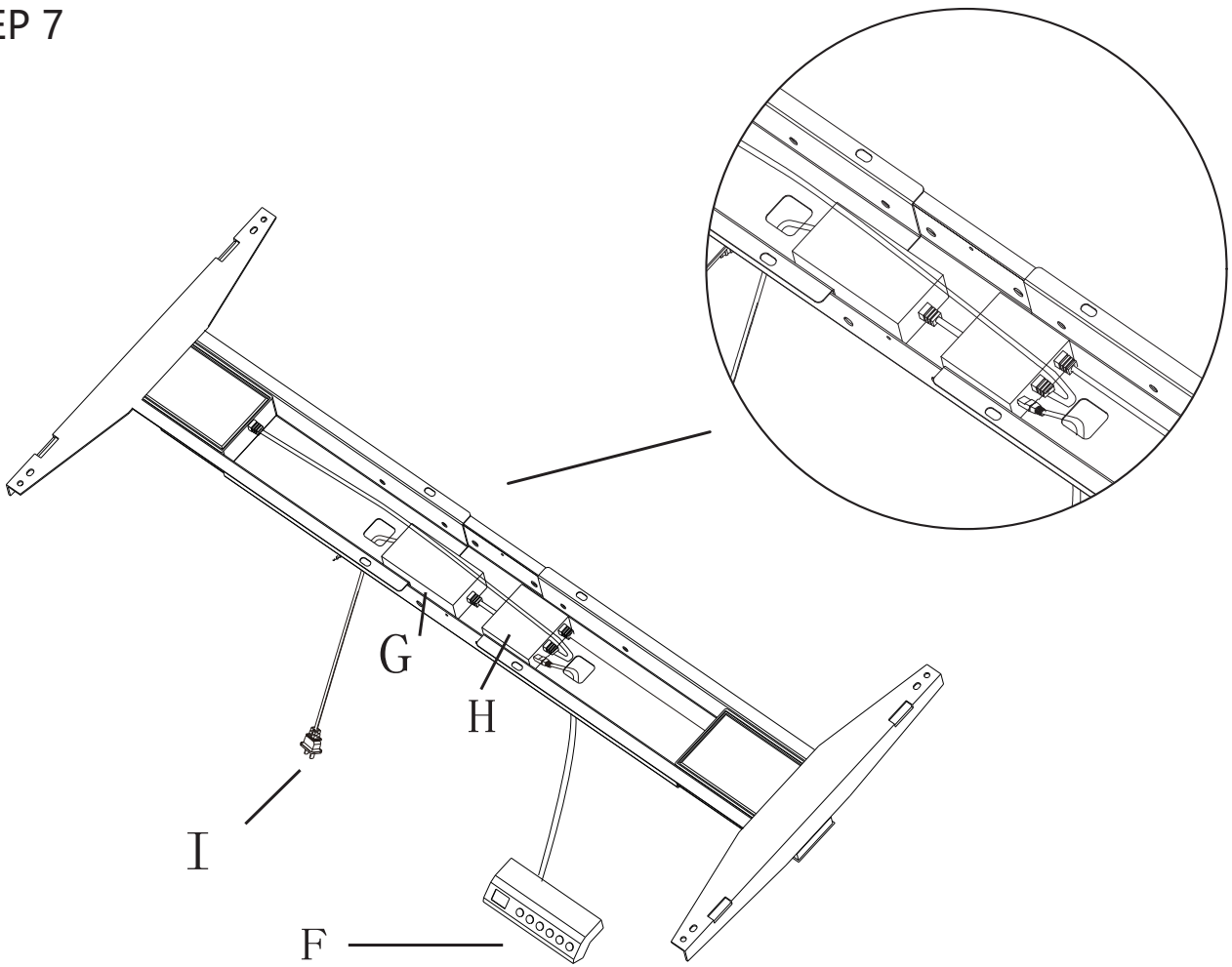
STEP 5



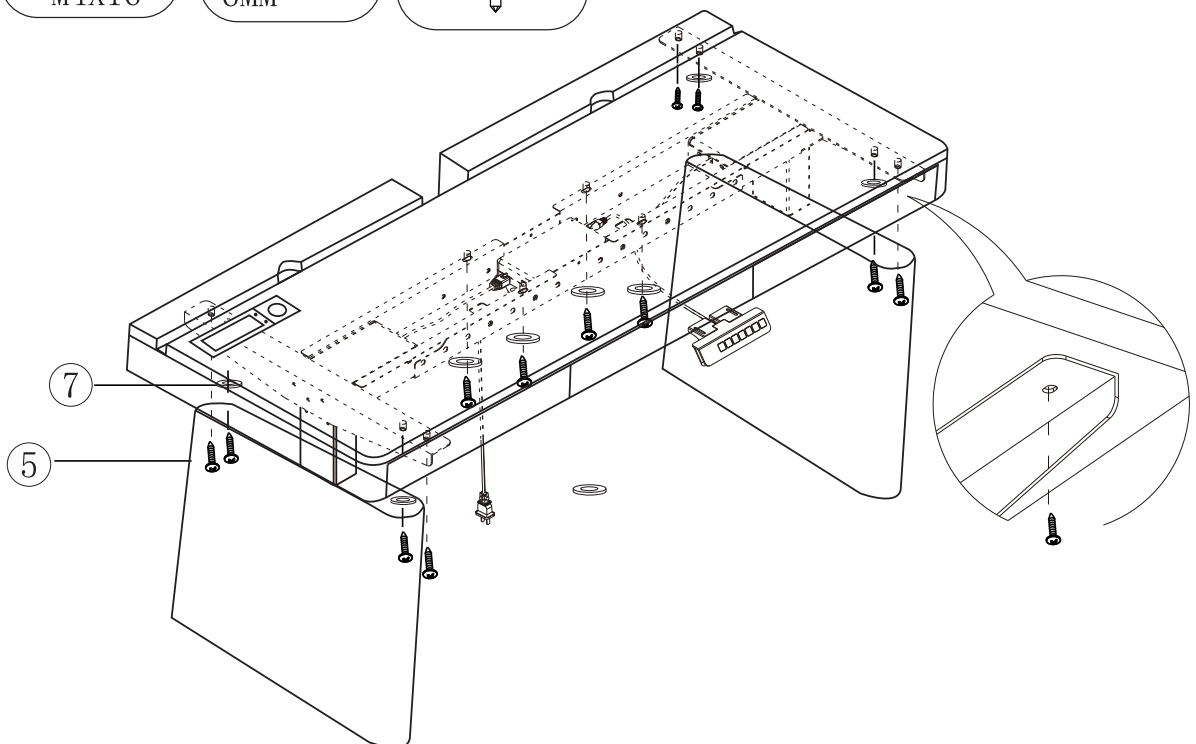
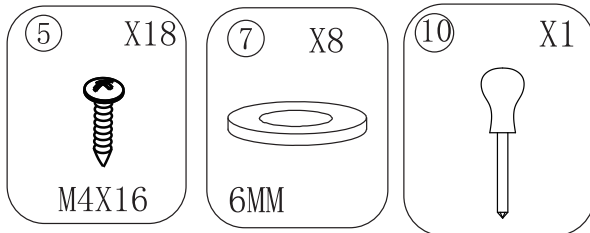
STEP 6



STEP 7



STEP 8



STEP 9

