
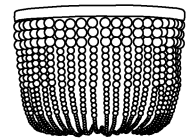
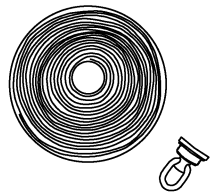
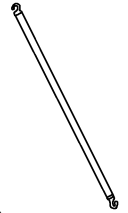
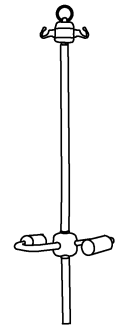
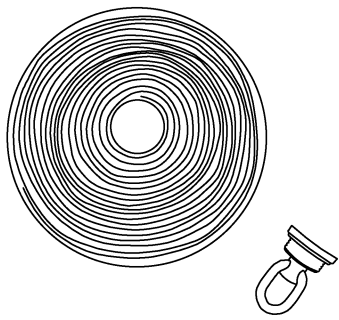
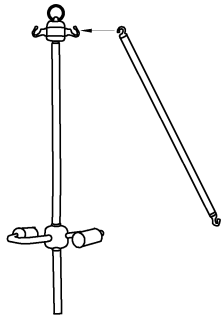
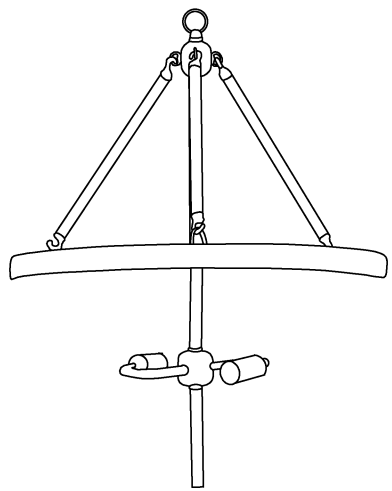
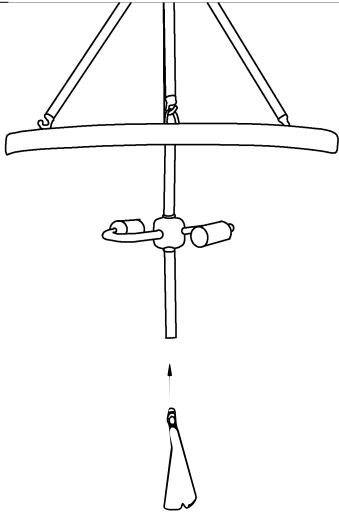
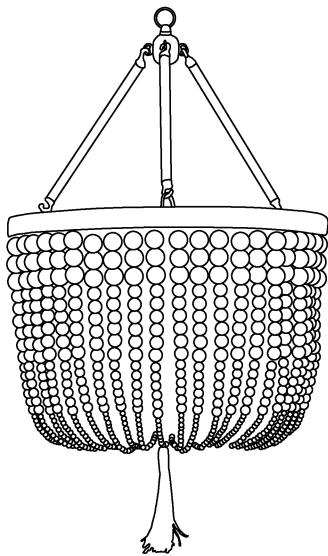


<p><u>PARTS LIST:</u></p> <p>A. BEADED BASKET. (1)          B. HEMP WRAPPED ARMS. (3)          C. HEMP WRAPPED CANOPY &amp; CHAIN KIT. (1)</p>	<p>D. HEMP TASSEL. (1)          E. HEMP WRAPPED CENTER ROD INCLUDING TOP ROD, BRASS CAP &amp; BRASS SOCKETS. (1)</p>	<p><u>STEP 1:</u></p> <p>MOUNT THE CANOPY (C) TO THE CEILING. ATTACH ASSEMBLED CENTER ROD (E) TO THE CANOPY HOOK AND THREAD ELECTRICAL THROUGH IT. <u>PROFESSIONAL INSTALLATION OF ELECTRICAL PARTS IS STRONGLY RECOMMENDED.</u></p>	<p><u>STEP 2:</u></p> <p>ATTACH THE HOOK END OF EACH HEMP WRAPPED ARM (B) TO THE HOOKS ON THE TOP OF THE CENTER ROD. (E)</p>	
<p>A</p>  <p>C</p> 	<p>D</p>  <p>E</p> 			<p>COMMON INSTALL MISTAKES</p>
<p><u>STEP 3:</u></p> <p>LIFT BEADED BASKET AND HOOK IT TO THE ARMS USING THE HOOPS ON TOP OF THE BASKET.</p>	<p><u>STEP 4:</u></p> <p>LIFT SMALL HEMP WRAPPED WHEEL LOCATED AT THE BOTTOM OF THE BEADED BASKET (A) TO MEET THE BOTTOM OF CENTER ROD (E). SECURE BEADED BASKET BY SCREWING HEMP TASSEL (D) INTO CENTER ROD. <u>BEADED BASKET SHOULD BE SECURED TO CENTER ROD.</u></p>	<p><u>CLEANING AND CARE:</u></p> <p>GENTLY DUST BEADS, ARMS, AND HARDWARE USING DRY CLOTH.</p>		<p>RO SHAM BEAUX          9870 LEEDS AVE. SUITE 112          CHARLESTON, SC 29405</p> <p>*FOR PRICING AND INFORMATION PLEASE CALL OR EMAIL US AT          ORDER@RO-SHAM-BEAUX.COM</p> <p>TEL: 843.789.3478          FAX: 843.789.3761</p>
				<p><u>MALIBU</u></p> <p>VISIT US AT RO-SHAM-BEAUX.COM TO VIEW ALL OF OUR BEAD OPTIONS AND FINISHES.</p> 