

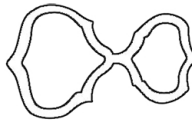
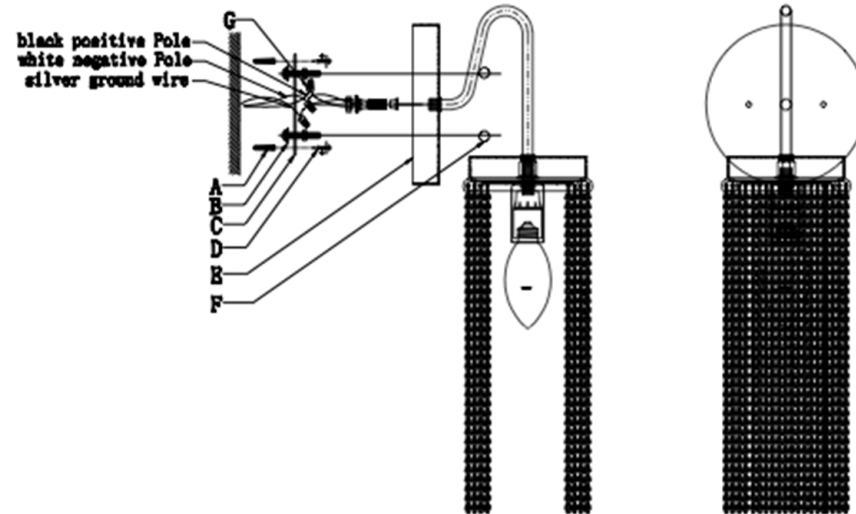
INSTALLATION INSTRUCTIONS

Please read the instruction before installation.
We always recommend the installation by a licensed electrician.

1. Carefully remove all parts from the box and remove all plastic coverings.
2. Turn OFF power to the junction box where sconce will be installed.
3. Attach the mounting plate (C) to the wall by screwing screw (D) through the mounting plate to nut (A).
4. Connect the power wire (G) and ground wire.
5. Pass screw (B) assembly through wallboard (E) and tighten with decoration nut (F).
6. Insert 1 E12, Max 60 Watt bulb (NOT INCLUDED).

CHI SCONCE CHI-SC

Please see images below in coordination with instructions.



RO SHAM BEAUX

RO SHAM BEAUX

FOR PRICING & CURRENT LEAD TIME, PLEASE VISIT OUR WEBSITE AT
RO-SHAM-BEAUX.COM OR EMAIL CUSTOMERSERVICE@RO-SHAM-BEAUX.COM

