



# La Via Coffee/Console/Dining Table Assembly Instructions

*en gold.*

## Parts/Hardware:

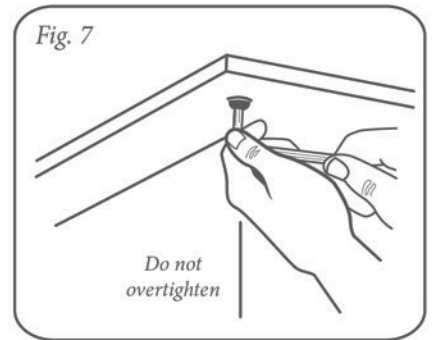
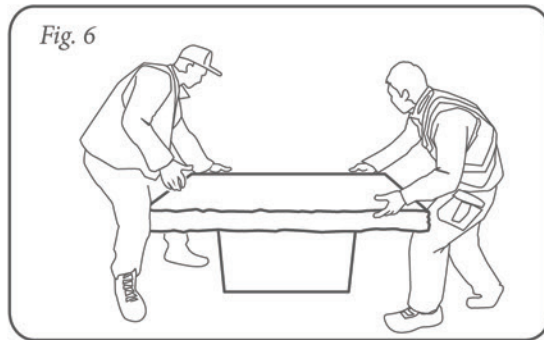
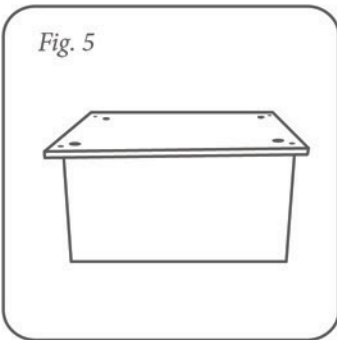
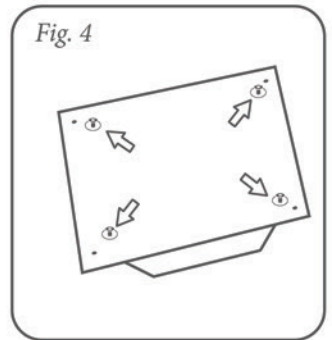
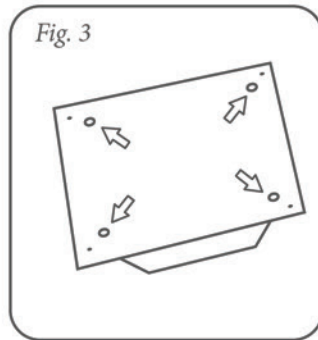
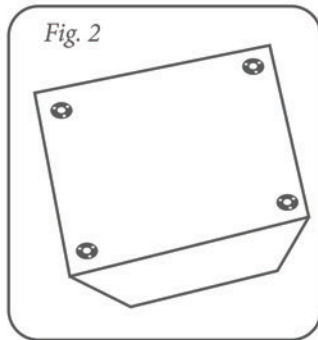
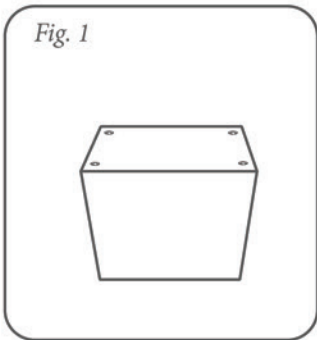
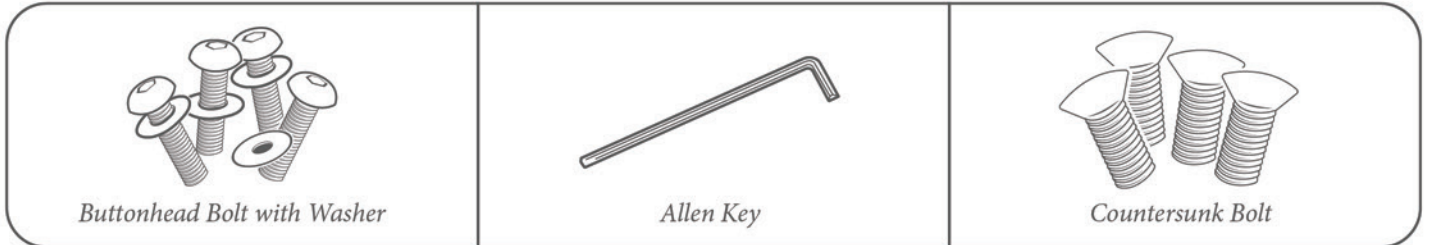
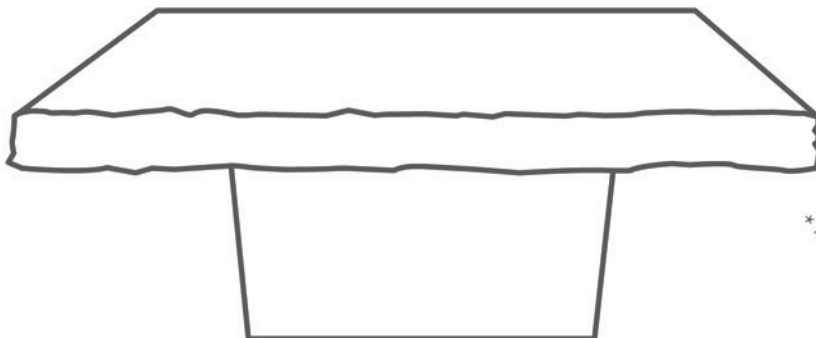


Fig. 8



\*Fully assembled  
La Via Table

## ⚠ Assembly Steps ⚠

### STEP 1

With two people, carefully remove the table base from its packaging. Please note: the four threaded T-Nuts are already installed on the base.

### STEP 2

Carefully remove the table top and baseplate from its packaging. Identify the baseplate, tabletop and hardware provided.

### STEP 3

Place the the baseplate, round edge facing down, on top of the table base. Align the inner four holes in the baseplate with the threaded T-Nuts on the base.

### STEP 4

Identify the M10 countersunk bolts provided and loosely install all four bolts by hand until finger-tight. Use the “Allen Key” provided to tighten the bolts until seated, secure and flush with the baseplate.

### STEP 5

Identify the threaded T-Nuts installed on the underside of the tabletop. With two people, carefully place the tabletop on top of the installed baseplate and align the T-Nuts with the outer holes on the baseplate.

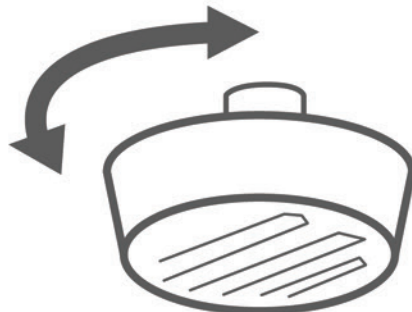
### STEP 6

From underneath the table top insert the M10 “Buttonhead” bolts with washers through the outer four holes in the baseplate and into the threaded T-Nuts in the table top. Install all four bolts by hand, finger-tight.

### STEP 7

Use the provided “Allen Key” to tighten the four bolts until seated and secure.

**\*Note: For any uneven surfaces there are “Adjustable Gliders” underneath the table base to be adjusted as needed.**



Turn table glider clockwise or counter-clockwise to raise or lower table height

Do not flip the table when adjusting. Always adjust from underneath.