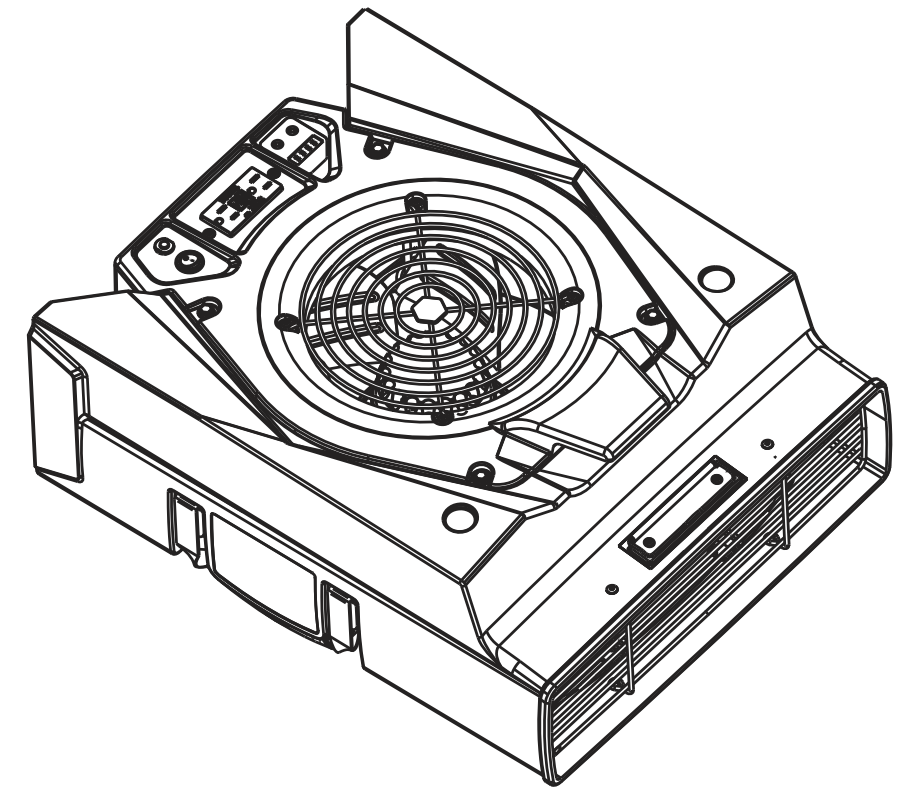


— Restoration & Moisture & Ventilation —

**ALORAIR**



## **Zeus 900 Owner's Manual**



**READ AND SAVE THESE INSTRUCTIONS**

**Alorair Solutions INC.**

Add: 2048 E. Francis St Ontario CA 91761

Tel: 888-990-7469

E-mail: [Sales@alorair.com](mailto:Sales@alorair.com)

## Safety Notes

### WARNING:

- Do not adjust or alter the unit in any way. Only use the parts approved by AlorAir. Any adjustments or use of unauthorized parts will void your warranty. For further assistance, contact your installing distributor.
- Do not let children play with unit. Always keep the unit out of reach of children.
- Do not restrict airflow to unit.
- Do not use unit with extension cords.
- Do not use an external speed control device.
- Do not drop or throw the unit. This could damage the inner parts and wiring.
- Do not use the unit in standing water.
- Do not use the unit outside as the internal components may get damp.
- Do not use air mover with a malfunctioning outlet or plug.
- Do not run power cord under carpet, runners, or other coverings.

### While Operating the Zeus 900:

- Always use a grounding plug and grounded electric outlet to reduce risk of fire and shock.
- Always use caution when stacking units to prevent them from falling. Avoid stacking units in crowded areas.
- Always secure units during transportation to prevent them from moving.
- Always maintain a reasonable distance between the air inlet and carpet or other materials. Failure to do so may clog the inlet or cause overheating.
- Always keep the motor free of dirt, dust, and other particles that could cause the motor to overheat. Clean the motor with a vacuum if it gets dirty.
- Always unplug the machine before performing any maintenance.
- Always contact an authorized technician for help repairing your machine.
- Always use the unit on a level, steady surface.

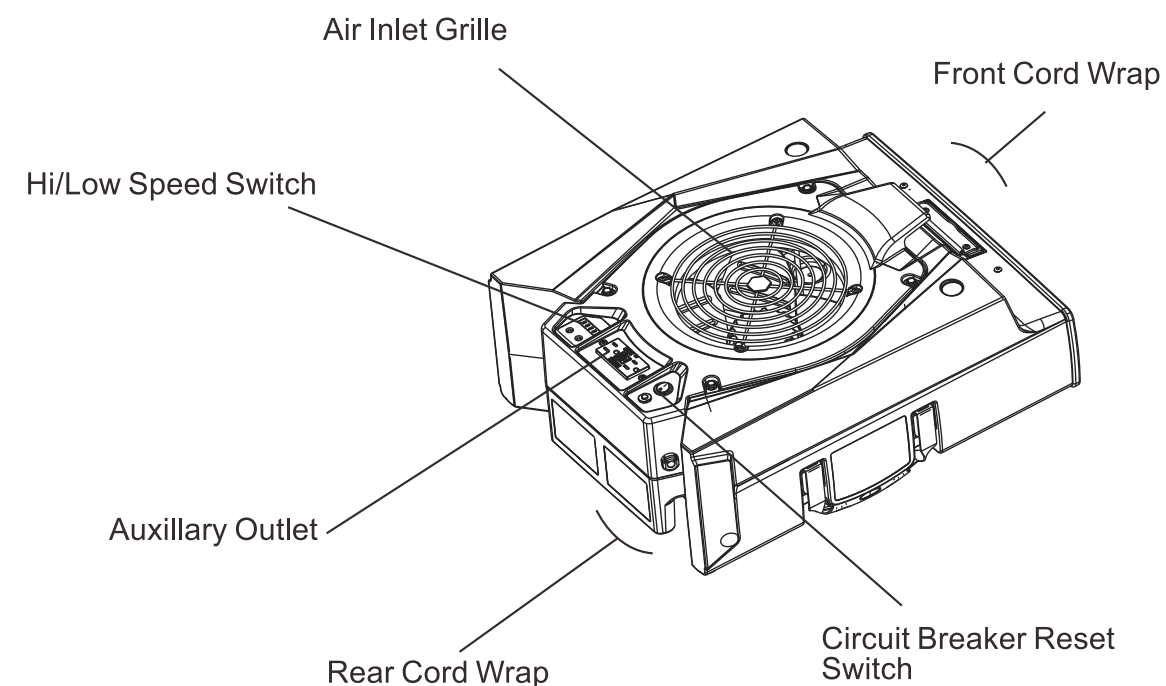
## Identification

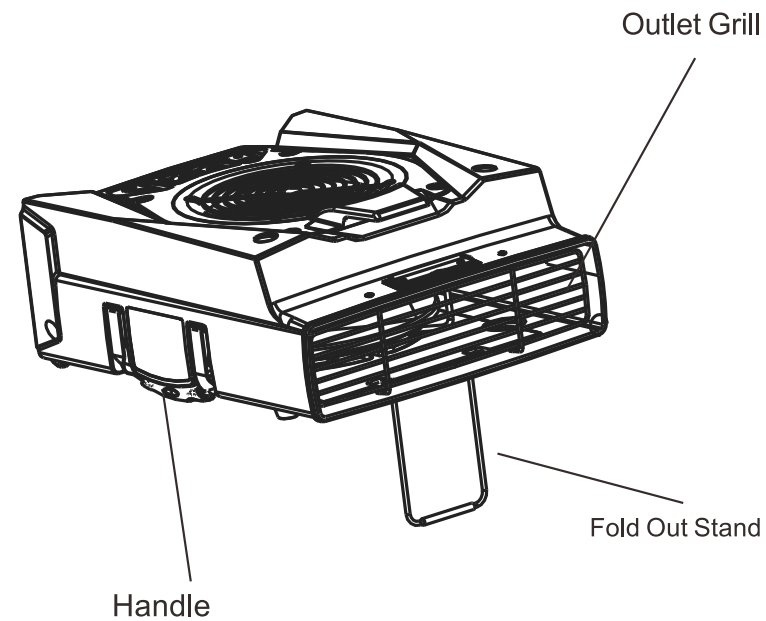
Congratulations on purchasing a Zeus 900 air mover. In order to take advantage of the warranty plan, be sure to note the serial number and date of purchase.

**Serial Number:**

**Date of Purchase:**

## Parts Identification





## Operating Positions



Horizontal



Stand



Left



Right



Vertical

## Operating Instructions

**NOTE:** Prior to use, verify that the power cord and plug are not broken.

1. Ensure the power switch is off, then unwrap the power cord and plug it into a standard 115V GFCI-protected outlet.
2. Point the air outlet towards the area that needs to be dried.
3. Press the Up or Down button to adjust the airflow speed on the panel.
4. Once the surface is dry, turn the unit off and unplug the power cord.
5. Wrap the power cord around the machine in a clockwise direction and secure with a clip.
6. Use the handle to move the machine to the next drying area or to storage. The units may be stacked for transportation or storage.

**NOTE:** Always keep the units dry.

## Circuit Breaker Reset

The Zeus 900 is equipped with a Circuit Breaker Reset Switch to protect from fire or shock risk. The Circuit Breaker switch will:

- automatically cut off power to the machine if the circuit is overloaded
- automatically cut off power to the machine if it finds a ground fault

If reset switch is flipped, complete the following steps:

1. Check the power line for any damage and ensure it is properly connected to a grounded outlet
2. Press the Circuit Breaker Reset Switch to restart the unit

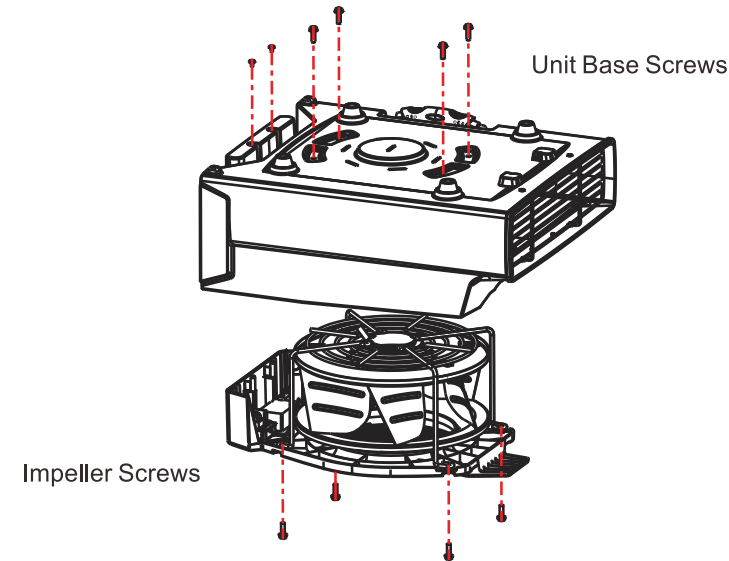
## Maintenance

### Cleaning the Housing & Impeller

If dust or dirt has accumulated on the impeller, you will need to disassemble the housing (see instructions on next page) to clean it. Do not use liquids to clean the impeller- only a cloth or pressurized air. The housing can be cleaned with a damp, cloth but always ensure it is dry prior to reassembling.

## Housing Disassembly

To disassemble the housing for cleaning, follow the steps below:



1. Remove four screws on from impeller side.
2. Remove the six screws from the unit base, then lift off the housing.

## Warranty

All warranty benefits apply to the original owner only. Warranty cannot be transferred or assigned.

**1 Year (from date of purchase):** Alorair warrants the machine will operate free of defects in workmanship and materials. At its discretion, Alorair will repair or replace any malfunctioning components, free of charge (excluding transportation costs)

**Customer Responsibilities:** In order to take advantage of the warranty service, the customer must do the following:

1. Customer must provide normal care and maintenance (including, but not limited to cleaning filters)
2. Removal and re-installation of unit is the sole responsibility of owner.
3. If customer cannot return unit to certified repair center, all costs associated with shipment are borne by the customer. In addition, all ancillary charges related to freight shipments, including but not limited to palletizing, wrapping, labeling, and pickup are associated with customer.
4. If shipped, customer is responsible for all risk of loss or damage.

### AlorAir Warranty Steps:

1. Once receive the goods, customers must log in [www.alorair.com](http://www.alorair.com) to fill out the warranty registration form and submit to AlorAir company. We will receive your purchasing and installation information and save it. If no warranty registration is sent to us, warranty period will begin the day the shipment left the warehouse. Please be sure to record serial # and date of installation. You will need this information to receive the RA number.
2. If warranty service is necessary, customers must contact Alorair Tech Support by [sales@alorair.com](mailto:sales@alorair.com) or local technical service phone to receive a Return Authorization (RA number). Once an RA has been issued, customers should bring the unit to a certified repair center. AlorAir will arrange the shipping to bring the unit back to the Alorair warehouse (at the expense of the customers) if customers are not available.
3. After the unit has been received by Alorair (whether at a repair center or the warehouse), Alorair will have an initial inspection. If it is determined to be invalid warranty claim (see exclusions below), customers have to pay for all associated repair costs and shipping costs for units repair.
4. Customers can pick up the unit after repair at their own expense for shipping. Units will have a rigorous testing before sending it back to customers
5. If the unit can no longer be fixed, and it is in the warranty period and determined to be valid claim, we will ship the customer a new unit within the same year warranty from the date of replacement.
6. After parts are repaired or replaced by AlorAir, the original warranty period continues to apply until it meets its deadline. No extensions to the original warranty period.

## Warranty Exclusions:

DAMAGE DUE TO THE FOLLOWING IS NOT covered under warranty

1. Acts of Nature- including but not limited to:
  - flooding
  - fire
  - water damage
  - hurricane/storm damage
2. IMPROPER USAGE- Including but not limited to:
  - misuse, abuse, or tampering whether intentional or accidental
  - improper installation or design
  - improper voltage
  - lack of normal care
  - failure to follow instructions
3. Corrosion
4. Freezing
5. any additional costs due to changes in laws or building codes
6. freight charges
7. any costs due to lost profit or delay
8. damage to property
9. cause beyond control
10. consumable parts, including but not limited to:
  - filters
  - batteries
  - power cords
  - valves
  - switches
  - rubber parts
11. Direct, indirect, collateral or inconsequential damages of any kind

THE WARRANTIES AND LIABILITIES SET FORTH ARE IN LIEU OF ALL OTHER WARRANTIES EXPRESSED OR IMPLIED, IN LAW OR IN FACT, INCLUDING IMPLIED WARRANTIES OF MERCHANTABILITY AND FITNESS FOR PARTICULAR PURPOSE. Alorair's total liability, regardless of nature of claim shall not exceed original purchase price of the product. If a product or component is replaced while under warranty, the applicable warranty period shall not be extended beyond the original warranty time period.

The foregoing shall constitute the total liability of seller in the case of defective performance of all or any of the equipment or services provided to Buyer. Buyer agrees to accept and hereby accepts the foregoing as the sole and exclusive remedy for any breach or alleged breach of warranty by Seller.

Any dishonesty or fraud in connection with Alorair warranty thoroughly voids all warranty policies. Alorair expressly reserves the right to pursue legal action in the event of dishonesty, fraud, or attempted fraud.

# Wiring Diagram

