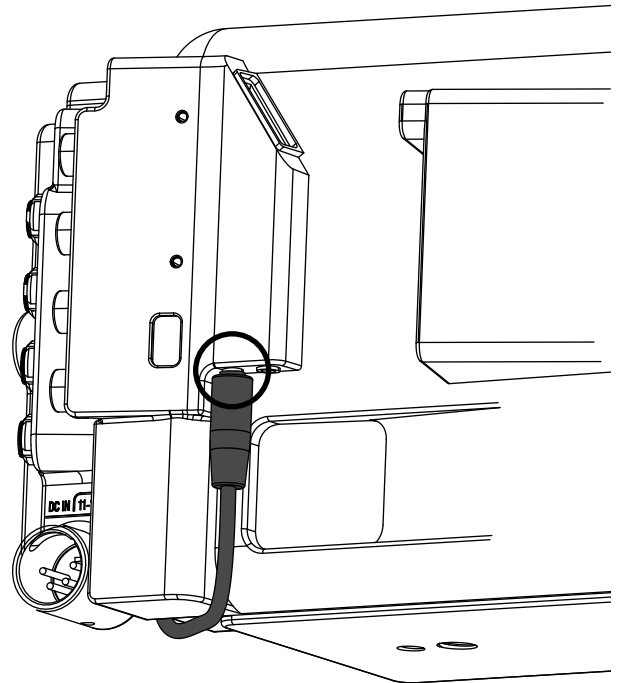
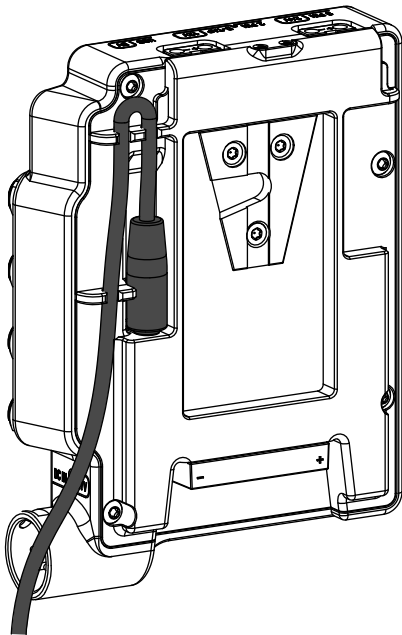


Power Distribution Box DB-8 (Sony Burano, Gold Mount)

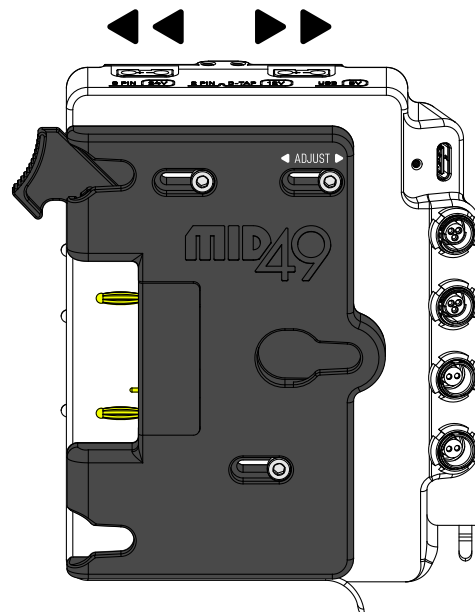
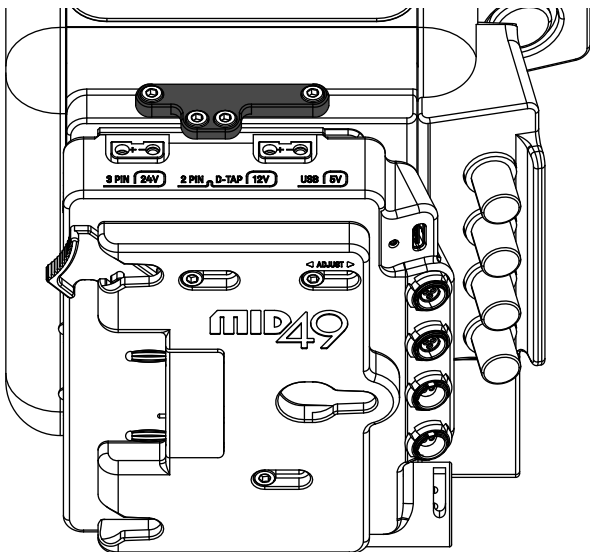
M49-DB8-G

For Remote Start / Stop function (R/S), install 2.5mm TRS Cable into REMOTE port.



Attach to camera using V-Mount interface.
Install DEADLOCK BRACKET with M2.5 allen wrench.

When using wide batteries, adjust battery plate position to expose power outputs.



Operating Voltage

Source	Voltage Range
On-board batteries (BATT)	12.5 - 17V
DC input (DC-IN)	11-17V (Note that Sony Burano shuts down below 11.6V)

Power Source Selection

When two valid sources are present (BATT and DC-IN), the DC input will be selected when the voltage is above 12V. When the measured DC input voltage under load is below 12V, and an on-board battery (BATT) is present, DB-8 will switch to BATT.

* Due to the nature of block battery performance, the DC input voltage must be above 14V at initial insertion to be valid.

LED Indicators

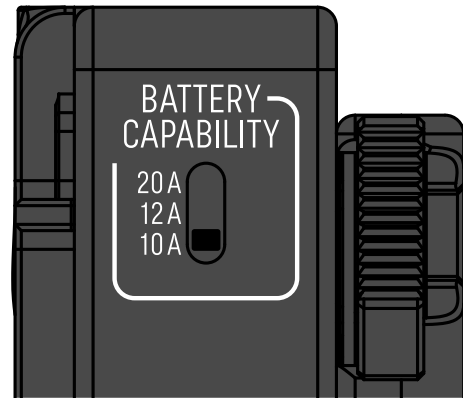
On the side of the DB-8, LEDs corresponding to the active source are illuminated. When a source is valid and active, the LED will glow GREEN. When a source is invalid, either above 17V or below thresholds described above, the LED will glow RED.

Battery Communication

When a communicative battery is the active source, DB-8 relays percentage and runtime data to the camera, which appears in the viewfinder.

Battery Capability

For DB-8 to intelligently monitor camera and accessory power and prevent a brownout, the slide switch setting must match or be lower than the maximum sustained current rating of the power source. This information is commonly found on the battery or power supply's label or the manufacturer's website and is often listed as 10A, 12A, 20A, or similar.



Power Outputs

Type	Voltage
D-Tap	Source Voltage (11-17V)
2-pin LEMO Compatible	Source Voltage (11-17V)
3-pin Fischer Compatible	Regulated 24V at 2.5A
USB-C PD	Regulated 5V at 3A

Smart Fuse

Rather than a traditional fuse, DB-8 monitors the current going to the camera and calculates the remaining current budget for accessories. For example, the Burano uses approximately 2.8A, so with BATTERY CAPABILITY set to 10A, the remaining 7.2A would be allocated to accessories. If that 7.2A accessory limit is exceeded, DB-8 will cut accessory power, leaving the camera running. Once the accessories drawing excess current have been removed, the RESET button can be pressed to re-enable accessory power.

Example Calculation with a 12V Battery

Battery Capability	10.0A
Sony Burano	- 2.8A
Video Transmitter	- 1.5A
Wireless FIZ	- 3.0A (24V at 1.5A)
<hr/>	
Remaining Power Budget	2.7A

Remote Start / Stop

When the 2.5mm TRS Cable is installed into the Burano's Remote Port, ARRI standard run / stop function is present on 3-pin Fischer connectors.

Swapping Battery Plates

To change from a Gold Mount battery plate to a V-Mount battery plate, remove (3) M3x10mm socket cap screws using a 2.5mm allen wrench and disconnect power and data connections. Reverse process for installation. Be careful not to pinch wires during assembly or damage may result.