

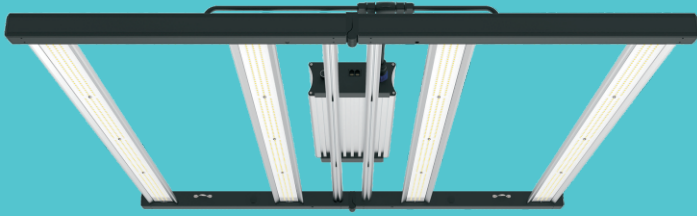


MASTER 4V



GML SOLUTIONS LTD.

PO Box 423, Qualicum Beach, BC, V9K1S9, Canada
www.grandmasterleds.com



MASTER 4V

HIGH
EFFICIENCY

POWER
SAVING

FOLDING
DESIGN

MASTER 4V

- 1,368 x Samsung LM301H
- INVENTRONICS LED driver
- Knob dimming + RJ port dimming
- Folding design for fast and easy installation
- 5 year warranty
- IP 66 Waterproof

Specifications

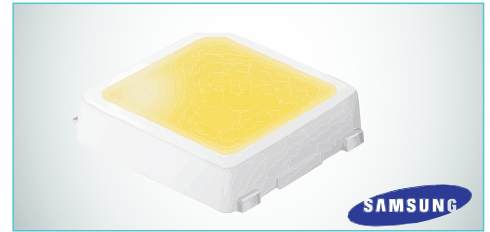
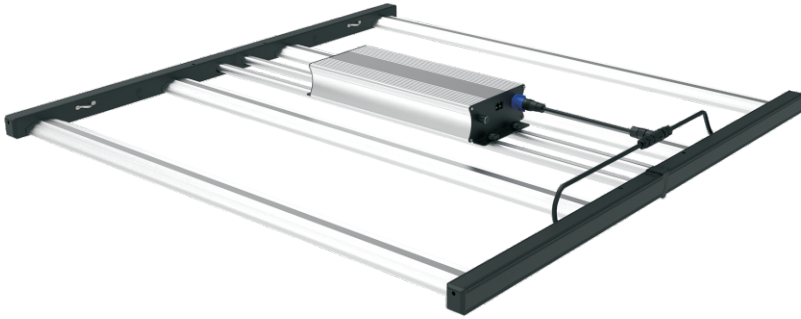
Model Name	Master 4V		
Input Voltage +/- 10%	120 Volts	240 Volts	277 Volts
Max. Input Current	4.13 Amps	2.11 Amps	1.83 Amps
Power Factor	0.99	0.95	0.95
Wattage +/- 5%	490W	480W	480W
Qty. of Light Bars	4 Bars	4 Bars	4 Bars

LED Driver	Inventronics	Surge Protection	6KV
LED Brand	SAMSUNG	LED Configuration	5000K
Dimming	Knob + RJ port	LED life time	>100,000 hours
Dimming	10%~100% DIM-TO-OFF	Power Cord Length	10' (3.05M)
IP Rate	IP 66	Max. Ambient Temp.	95°F (35 °C)
Warranty	5 Year	Mounting Height	18"~24" (Above Canopy)

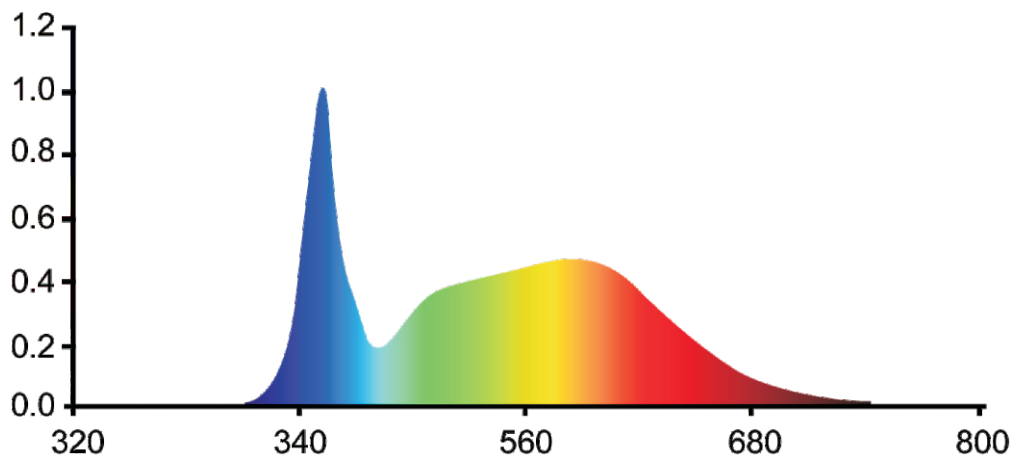
Package

Carton Size	118 x 64x 14cm (46.5" x 25.2" x 5.5")
Weight	14.5 kg (31.97 lbs)
Qty. / Ctn.	1 Set

Details



Spectrum (SPD)



Plug



USA 120Vac (NEMA 5-15P)
Standard

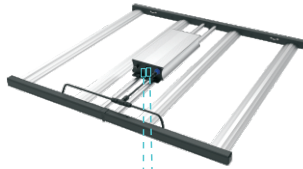
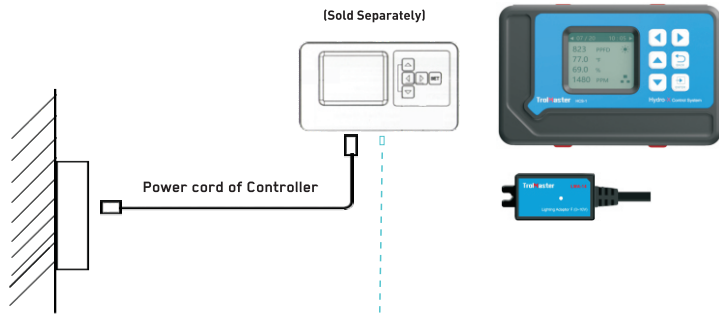


USA 240Vac (NEMA 6-15P)
Optional

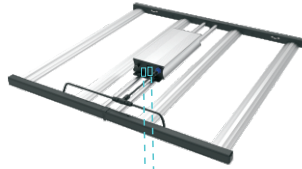


USA 277Vac (NEMA 7-15P)
Optional

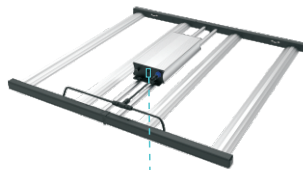
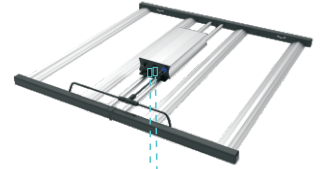
Knob Dimming + RJ Port dimming 10%~100% DIM-TO-OFF



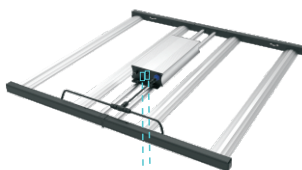
RJ 14 cable



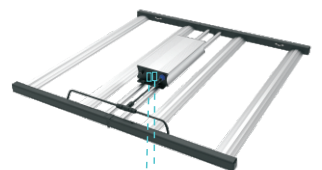
RJ 14 cable



RJ 14 cable



RJ 14 cable

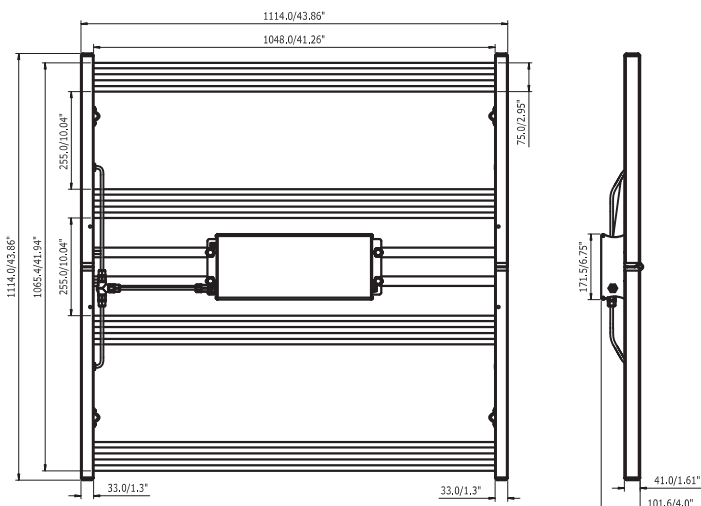


Compatible with Gavita Master Controller EL2 and TrolMaster HCS-1 & LMA-14

Control Signal input and output

Controller (RJ14 6P4C)						
PIN 1	PIN 2	PIN 3	PIN 4	PIN 5	PIN 6	
N/A	Dim +	Dim -	Dim -	Dim +	N/A	
Fixture (INPUT) Side (RJ14 6P4C)						
PIN 1	PIN 2	PIN 3	PIN 4	PIN 5	PIN 6	
N/A	Dim +	Dim -	Dim -	Dim +	N/A	
Fixture (OUTPUT) Side (RJ14 6P4C)						
PIN 1	PIN 2	PIN 3	PIN 4	PIN 5	PIN 6	
N/A	Dim +	Dim -	Dim -	Dim +	N/A	

Dimension & Weight



Fixture Dimension:
1114mm X 1114mm X 103mm
(43.86" X 43.86" X 4.06")

Fixture Net Weight:
11.75 kg (25.9 lbs) Including Driver box

Safety Warnings and Recommendations

Warning! Carefully read the warnings below before using or working with the product!

Always adhere to the local rules and regulations when installing or using the LED fixture.

Do not open or disassemble the LED fixture, it contains no serviceable parts inside. Opening or modifying the LED fixture can be dangerous and will void the warranty.

Wearing protective gloves and glasses is recommended during installation.

Do not use the LED fixture when either the LED fixture has been dropped or is damaged or its power cord is damaged.

Replace the power cord only with original certified cords. Keep the power cord away from hot surfaces.

Modifications to the cords can lead to unwanted electromagnetic effects, which makes the product not comply with legal requirements.

Do not plug the LED fixture into a supply voltage other than what is instructed on the fixture.

Always disconnect the LED fixture from mains before performing any maintenance.

The LED lighting product is extremely bright. Do not stare directly into any of the lights.

The LED fixture will get hot during operation. Do not touch when the light is on. Keep the LED fixture away from children.

Always allow for a cool down period of at least 30 min. before touching the LED rails. Touching the LED rails when the fixture is lit or immediately afterwards can result in severe burns!

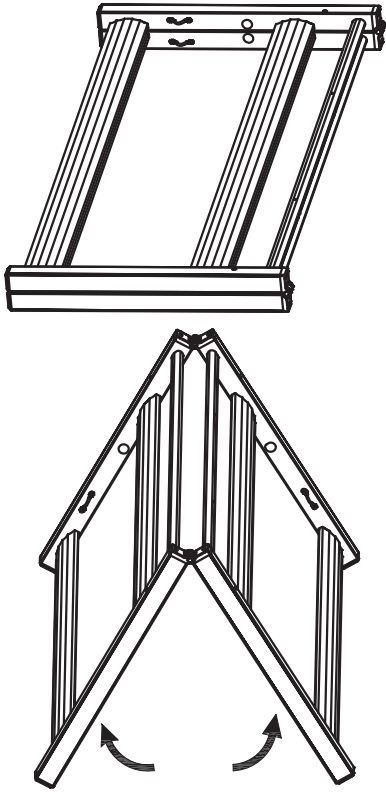
Do not expose the LED fixture to:
(ambient) temperatures outside the specified range;
dust and contamination;
direct sunlight during use or HID light that could heat up the ballast.

Do not use the LED fixture near flammable, explosive or reactive substances. Do not use sulfur vaporizers or water misters.

The installation and use of the LED fixture are the responsibility of the end user. Incorrect use or installation can lead to failure and damage to the LED fixture. Damage to the LED fixture and electronic circuitry because of incorrect installation and use will void the warranty.

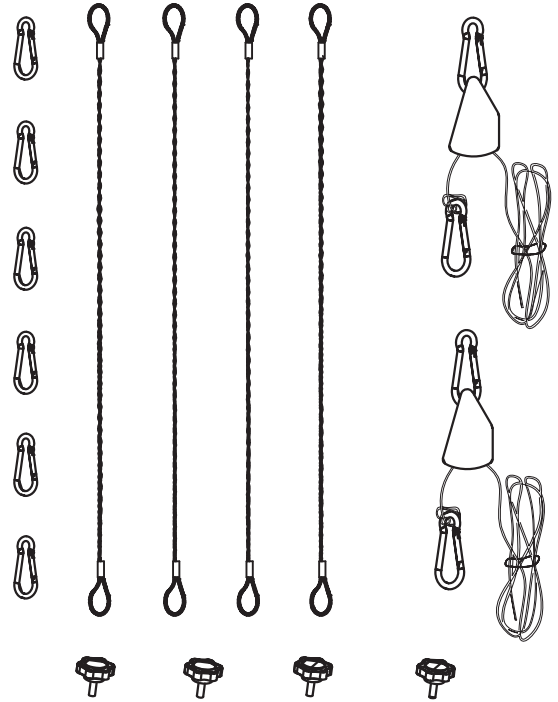
Installation Instruction

1



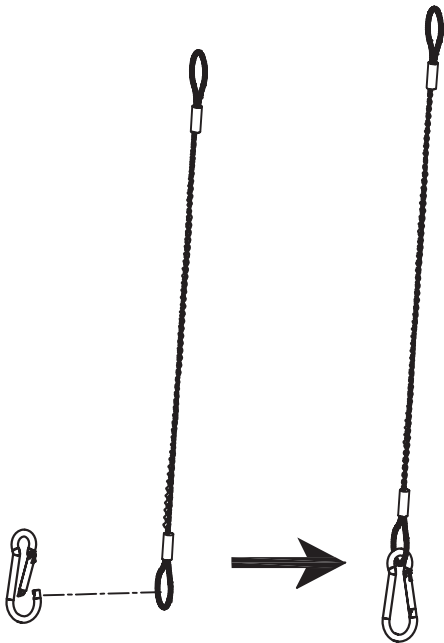
Unfold the LED fixture.

2



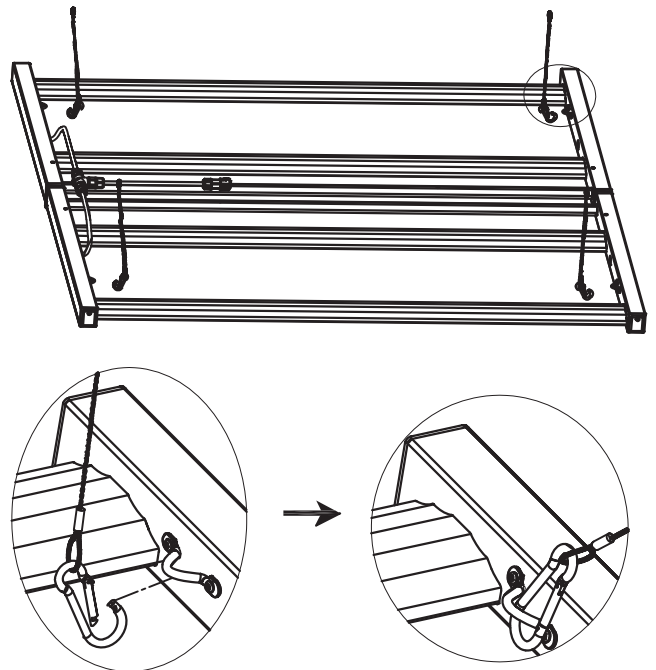
Take out the accessories from bags.

3

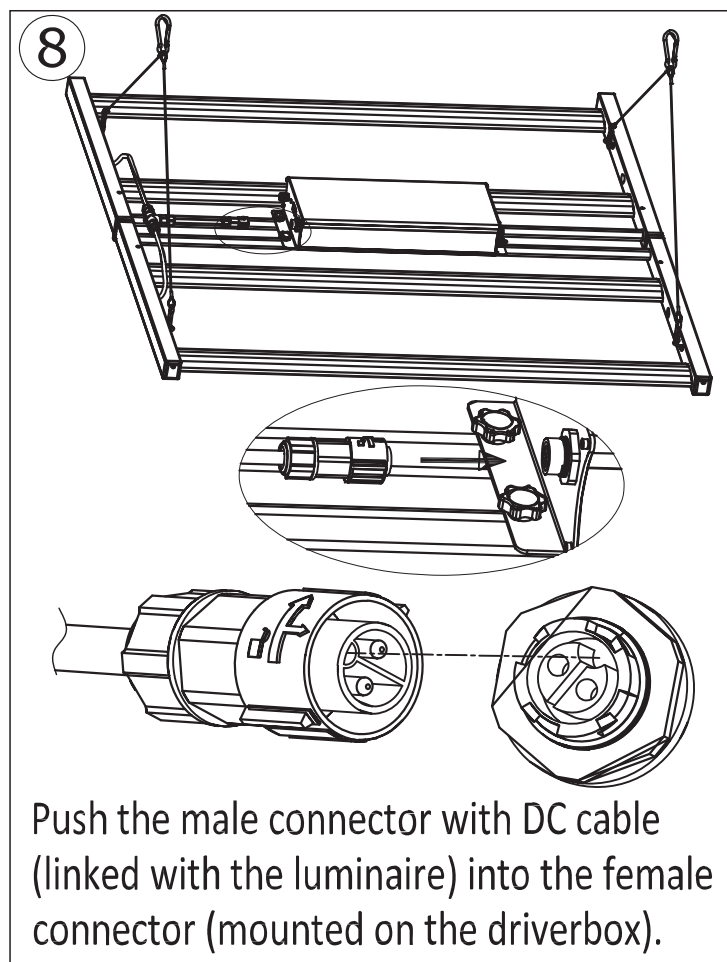
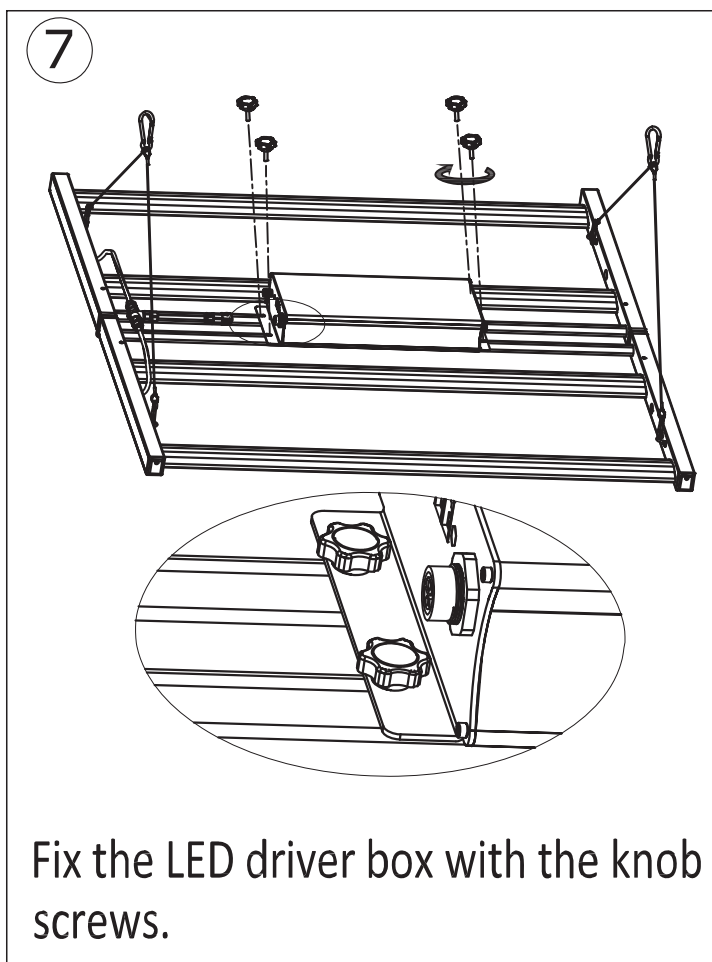
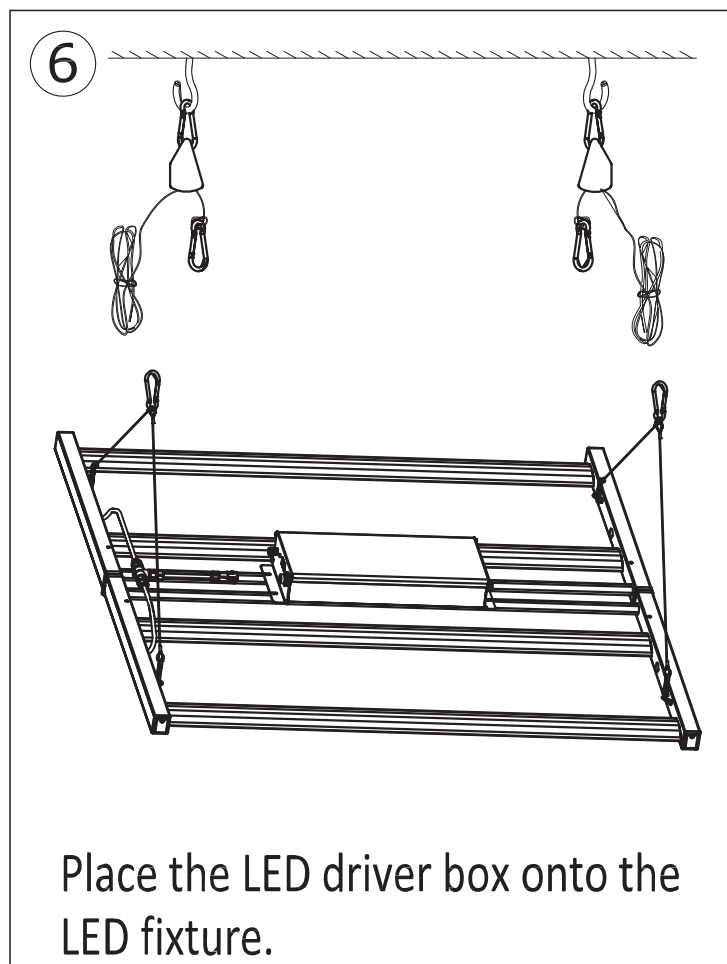
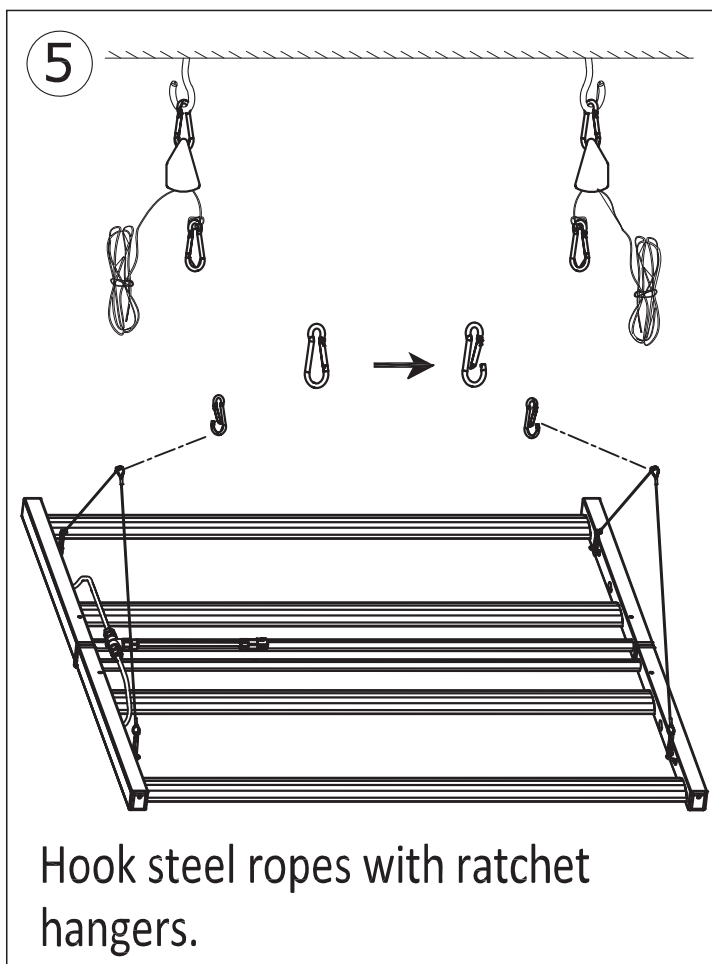


Connect carabiner hooks with steel ropes.

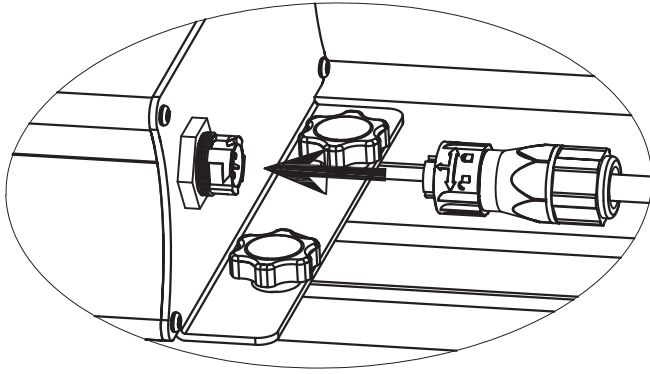
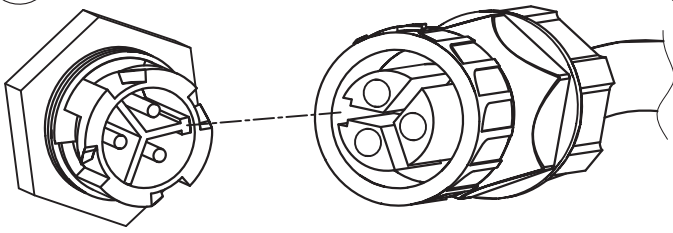
4



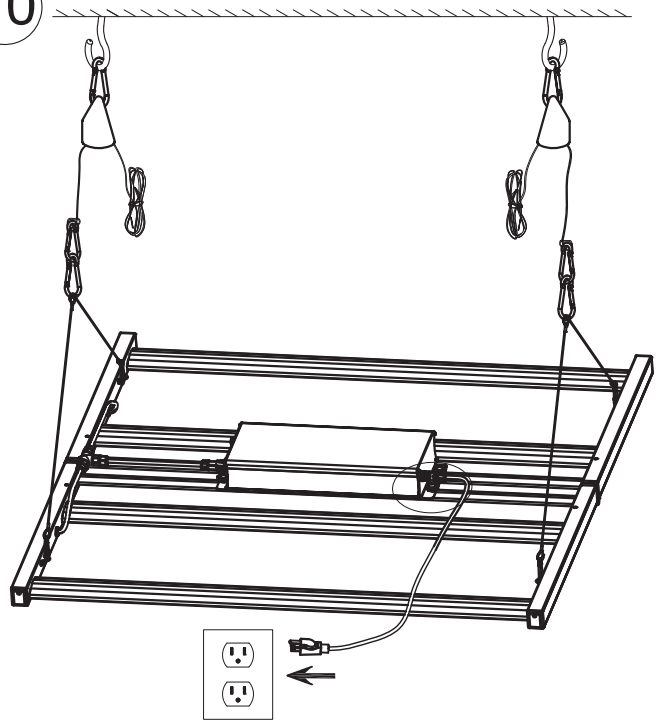
Connect carabiner hooks with handles on fixture rails.



9



10



Follow the correct direction to connect the AC power cord with driver box.

Push the AC power plug into wall outlet.

