



# MASTER 6B





# MASTER 6B

HIGH  
EFFICIENCY

POWER  
SAVING

FOLDING  
DESIGN

## MASTER 6B

- 2,592x Samsung LM301H
- 72x Osram 660nm 4.24
- INVENTRONICS LED driver
- Knob dimming + RJ port dimming
- Folding design for fast and easy installation
- Adjustable Spectrum
- 5 year warranty
- IP 66 Waterproof

## Specifications

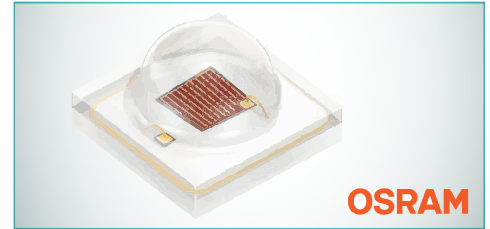
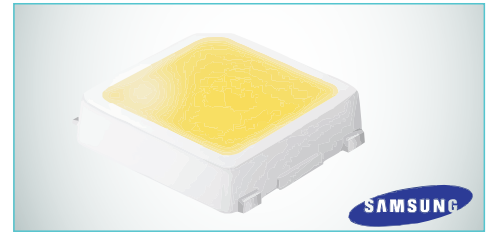
| Model Name            | MASTER 6B |           |           |
|-----------------------|-----------|-----------|-----------|
| Input Voltage +/- 10% | 120 Volts | 240 Volts | 277 Volts |
| Max. Input Current    | 5.7 Amps  | 2.9 Amps  | 2.5 Amps  |
| Power Factor          | 0.99      | 0.95      | 0.95      |
| Wattage +/- 5%        | 675W      | 660W      | 660W      |
| Qty. of Light Bars    | 6 Bars    | 6 Bars    | 6 Bars    |

|            |                    |                    |                       |
|------------|--------------------|--------------------|-----------------------|
| LED Driver | Inventronics       | Surge Protection   | 6KV                   |
| LED Brand  | SAMSUNG & OSRAM    | LED Configuration  | 3000K + 5000K & 660nm |
| Dimming    | Knob + RJ port     | LED life time      | >100,000 hours        |
| Dimming    | 0%~100% DIM-TO-OFF | Power Cord Length  | 10' (3.05M)           |
| IP Rate    | IP 66              | Max. Ambient Temp. | 95°F (35°C)           |
| Warranty   | 5 Year             | Mounting Height    | >6" (Above Canopy)    |

| Package     |   |
|-------------|---|
| Carton Size | 118 x 78 x 16cm ( 46.5" x 30.7" x 6.3") |
| Weight      | 17.85 KG (39.35 lbs)                    |
| Qty. / Ctn. | 1 Set                                   |

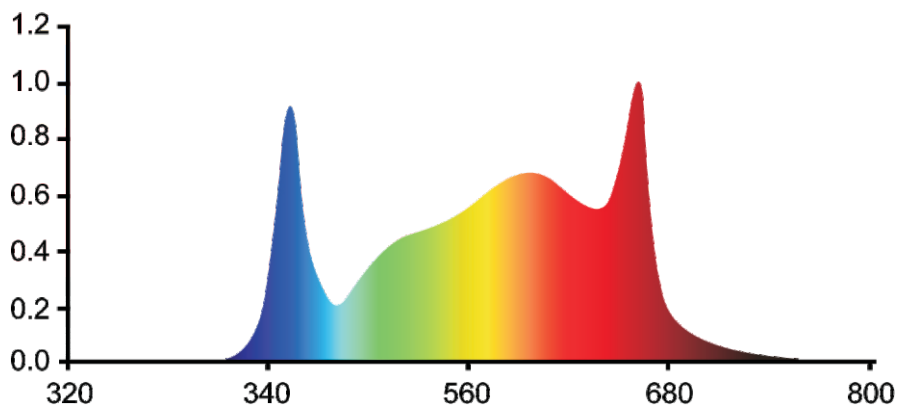
## Details

---



## Adjustable Spectrum

---



## Plug

---



USA 120Vac (NEMA 5-15P)  
Standard

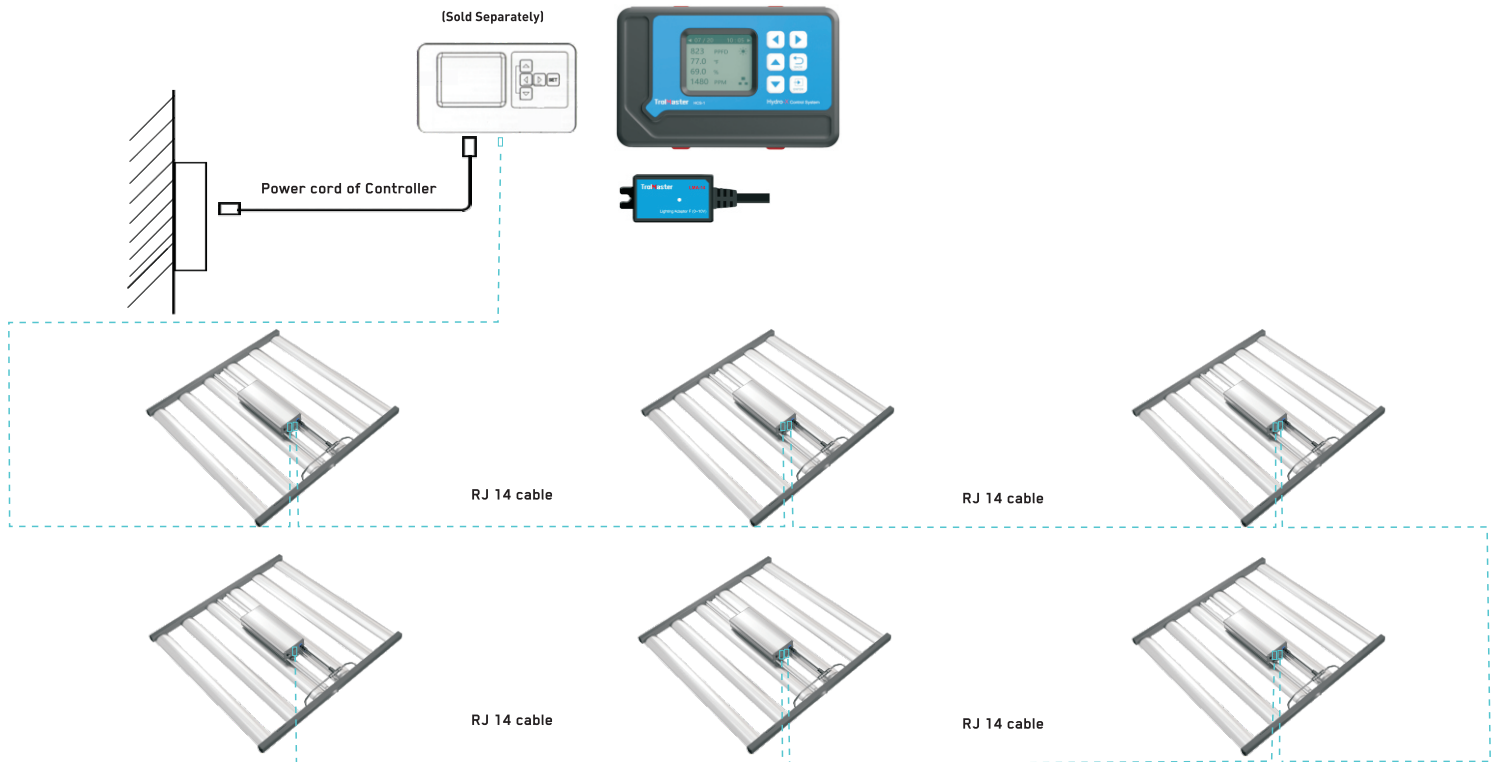


USA 240Vac (NEMA 6-15P)  
Optional



USA 277Vac (NEMA 7-15P)  
Optional

# Knob Dimming + RJ Port dimming 0%~100% DIM-TO-OFF

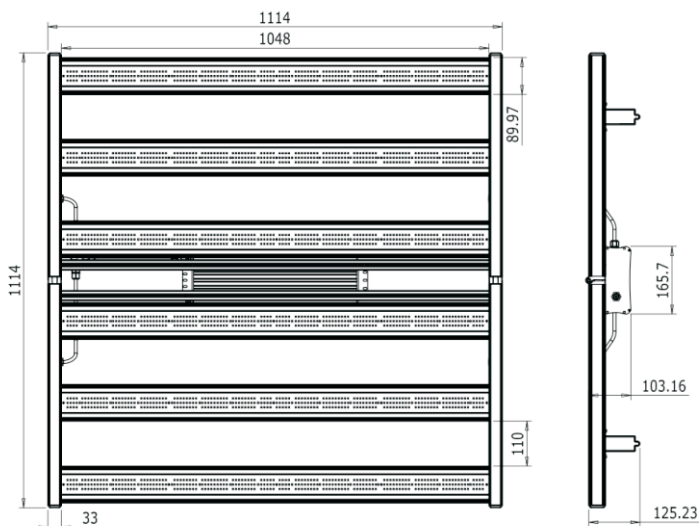


Compatible with Gavita Master Controller EL2 and TrolMaster HCS-1 & LMA-14

## Control Signal input and output

| Controller (RJ14 6P4C)            |       |       |       |       |       |  |
|-----------------------------------|-------|-------|-------|-------|-------|--|
| PIN 1                             | PIN 2 | PIN 3 | PIN 4 | PIN 5 | PIN 6 |  |
| N/A                               | Dim + | Dim - | Dim - | Dim + | N/A   |  |
| Fixture (INPUT) Side (RJ14 6P4C)  |       |       |       |       |       |  |
| PIN 1                             | PIN 2 | PIN 3 | PIN 4 | PIN 5 | PIN 6 |  |
| N/A                               | Dim + | Dim - | Dim - | Dim + | N/A   |  |
| Fixture (OUTPUT) Side (RJ14 6P4C) |       |       |       |       |       |  |
| PIN 1                             | PIN 2 | PIN 3 | PIN 4 | PIN 5 | PIN 6 |  |
| N/A                               | Dim + | Dim - | Dim - | Dim + | N/A   |  |

## Dimension & Weight



Fixture Dimension:  
1114mm X 1114mm X 103mm  
(43.86" X 43.86" X 4.06")

Fixture Net Weight:  
14.15 kgs (31.20 lbs) Including Driver box



## Safety Warnings and Recommendations

---

**Warning!** Carefully read the warnings below before using or working with the product!

Always adhere to the local rules and regulations when installing or using the LED fixture.

Do not open or disassemble the LED fixture, it contains no serviceable parts inside. Opening or modifying the LED fixture can be dangerous and will void the warranty.

Wearing protective gloves and glasses is recommended during installation.

Do not use the LED fixture when either the LED fixture has been dropped or is damaged or its power cord is damaged.

Replace the power cord only with original certified cords. Keep the power cord away from hot surfaces.

Modifications to the cords can lead to unwanted electromagnetic effects, which makes the product not comply with legal requirements.

Do not plug the LED fixture into a supply voltage other than what is instructed on the fixture.

Always disconnect the LED fixture from mains before performing any maintenance.

The LED lighting product is extremely bright. Do not stare directly into any of the lights.

The LED fixture will get hot during operation. Do not touch when the light is on. Keep the LED fixture away from children.

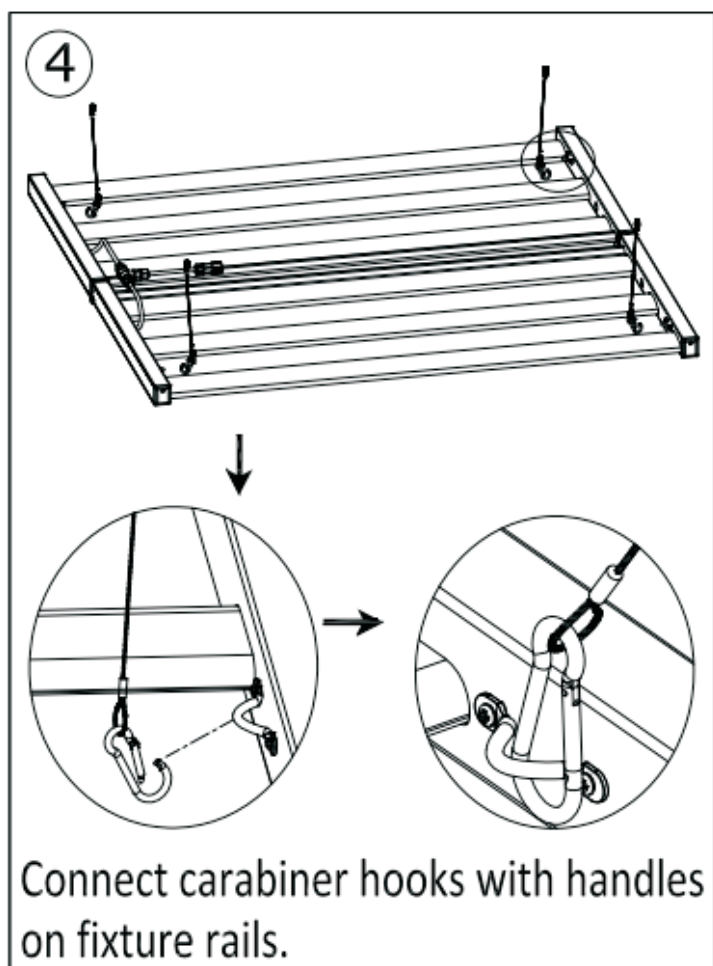
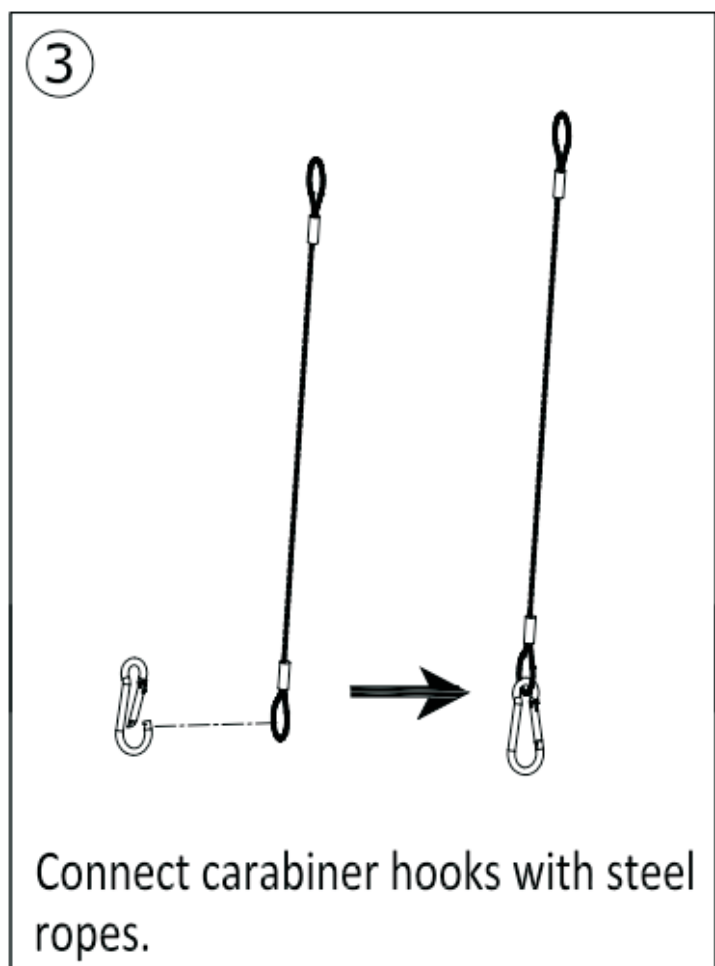
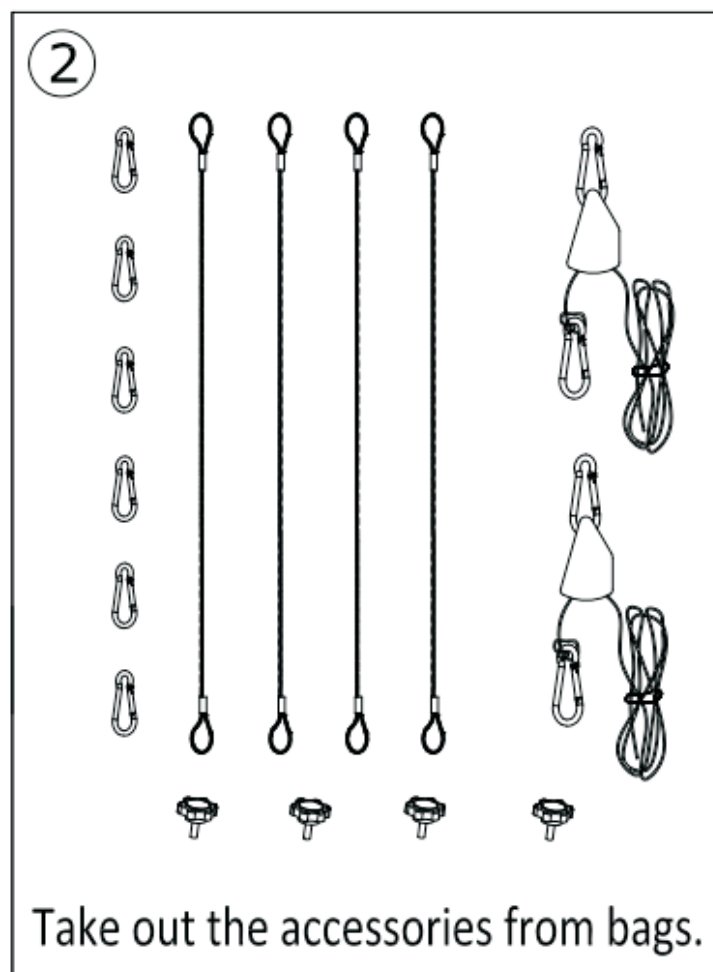
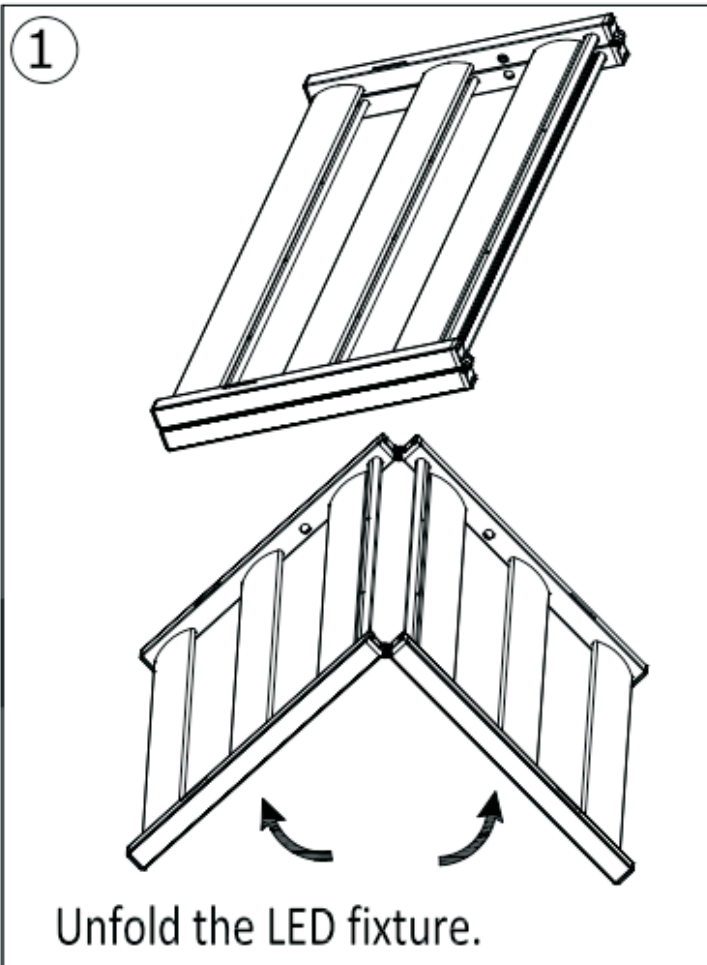
Always allow for a cool down period of at least 30 min. before touching the LED rails. Touching the LED rails when the fixture is lit or immediately afterwards can result in severe burns!

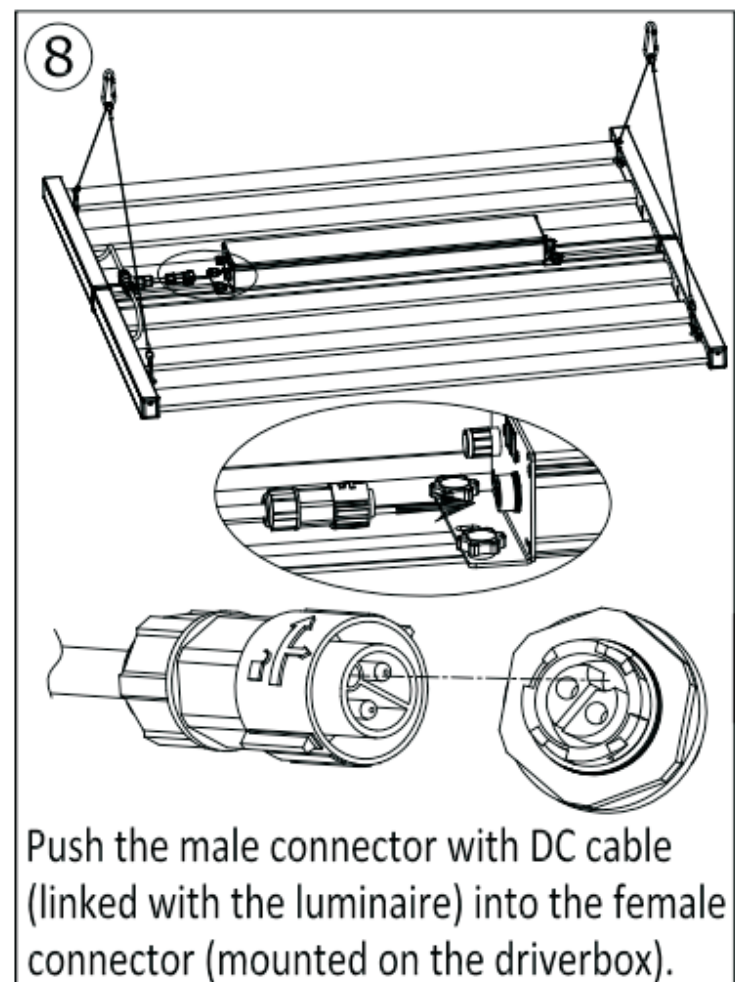
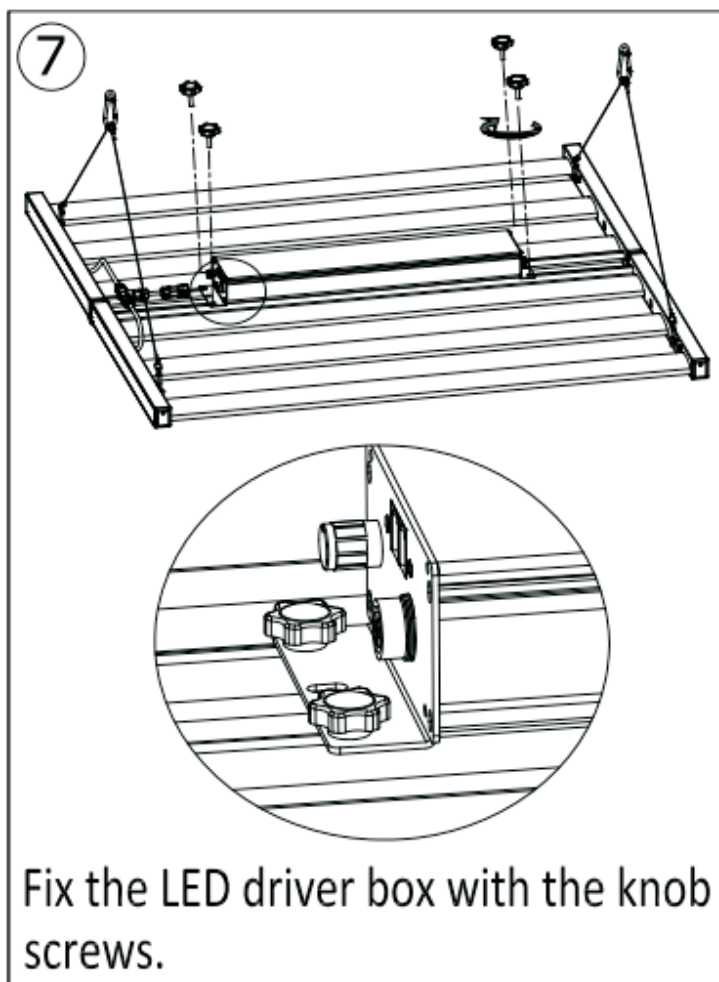
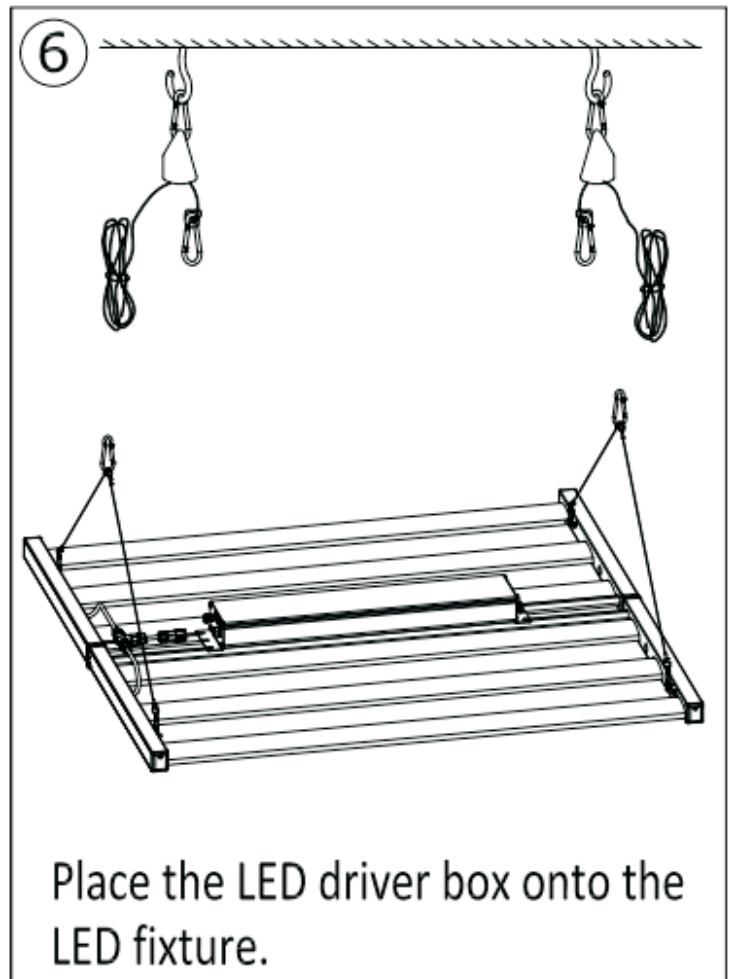
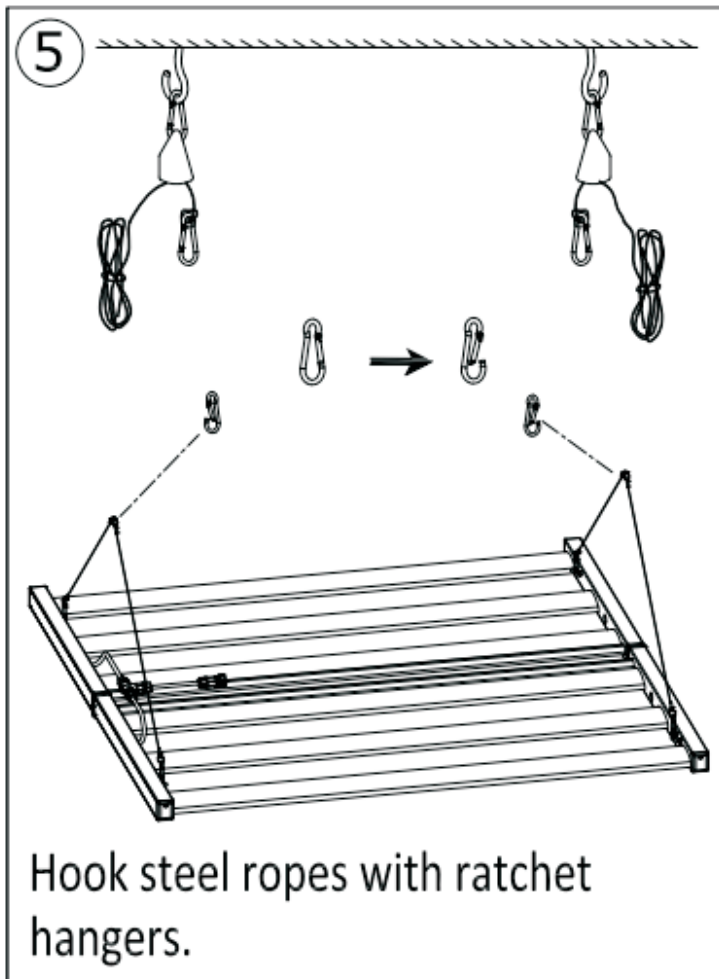
Do not expose the LED fixture to:  
(ambient) temperatures outside the specified range;  
dust and contamination;  
direct sunlight during use or HID light that could heat up the ballast.

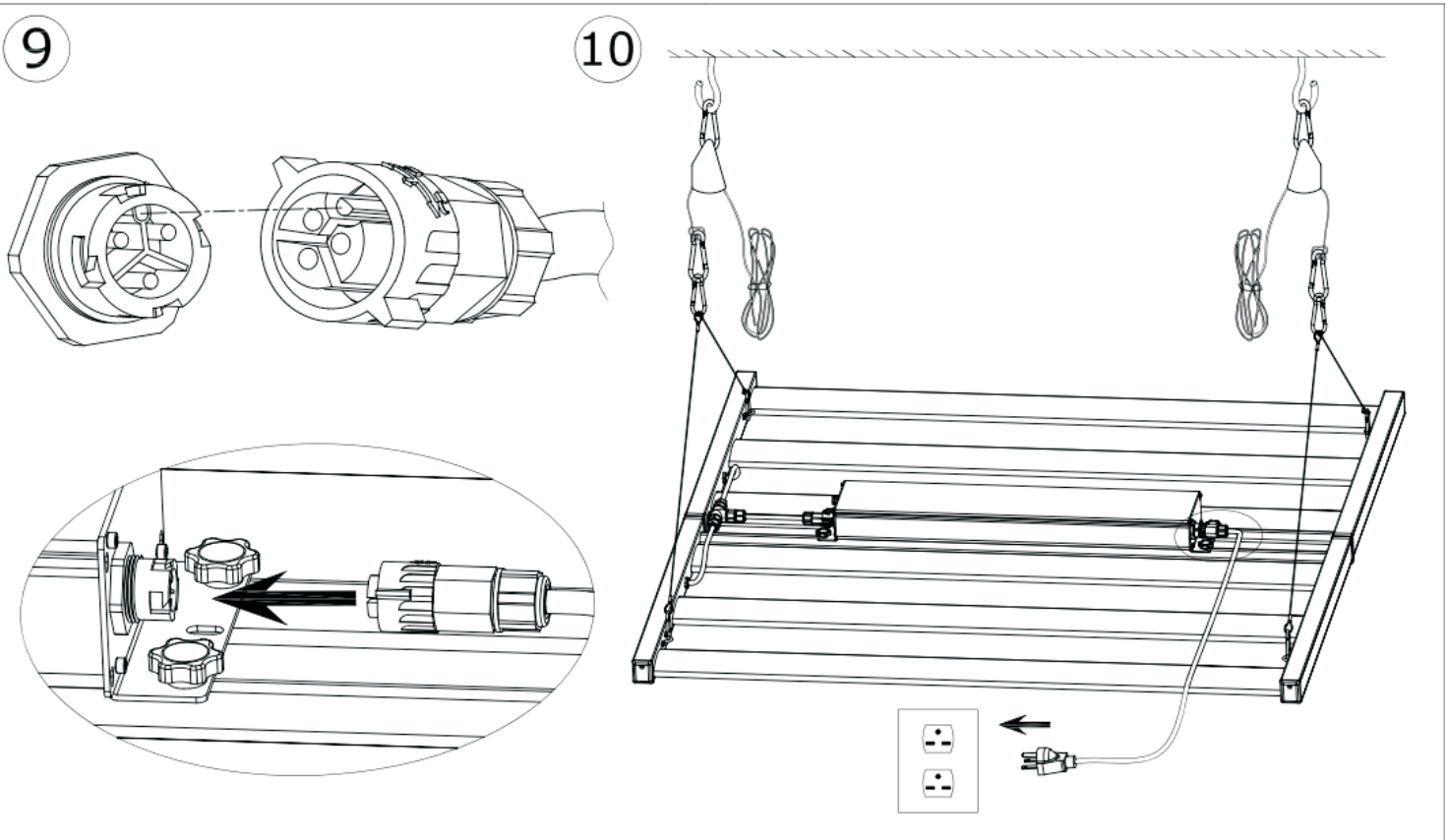
Do not use the LED fixture near flammable, explosive or reactive substances. Do not use sulfur vaporizers or water misters.

**The installation and use of the LED fixture are the responsibility of the end user. Incorrect use or installation can lead to failure and damage to the LED fixture. Damage to the LED fixture and electronic circuitry because of incorrect installation and use will void the warranty.**

## Installation Instruction







Follow the correct direction to connect the AC power cord with driver box.

Push the AC power plug into wall outlet.

