



Instruction Manual
eTronic 800 Slimline
eTronic 1500 Slimline



This product is only suitable for well insulated spaces or occasional use.

To be left with the customer after demonstrating the features of the Solution electric fire.

The complete installation must be carried out in accordance with current Standards and Local Codes. The instructions in this manual must be followed to ensure safe operation of the appliance. It should be noted that the requirements and this publication may be superseded during the life of the Fireplace - please refer to www.solutionfires.co.uk for up-to-date instructions.



The product complies with the European Safety Standards EN60335-2-30 and the European Standard Electromagnetic Compatibility (EMC) EN55014, EN60555-2 and EN60555-3. These cover the essential requirements of EEC Directives 2006/95/EC and 2004/108/EC

Contents

Important Safety Advice	3-4
Technical Parameters	4-5
Installation & Operating Instructions	6-9
Powering the Fireplace	10
Temperature Setting	10
Heater Operation	10
Open Window Device Function	11
Fuel Bed Operation	11
Setting the Time and Day (24 Hour Clock)	12
Setting the Weekly Timer	12
Thermal Safety Cut-Out	13
Light Emitting Diode	13
Cleaning, Servicing and Maintenance	13
Correct Disposal of this Product.....	13
Battery Replacement Remote Control	14
Troubleshooting	15
Solution Fires Warranty	16
Exploded View	17-18
Replaceable Parts	17-18
Wiring Diagram	19

Important Safety Advice

When using electrical appliances, basic precautions should be followed to reduce the risk of fire, electric shock, and injury to persons, including the following:

- **WARNING:** If the appliance is damaged, check immediately with your retailer before installation and operation. The heater must not be used if any part of it is damaged.
- Do not use outdoors.
- **WARNING:** In order to avoid overheating, do not cover the heater.
- The appliance carries the Warning Symbol indicating that it must not be covered or has a do not cover label. Do not cover or obstruct in any way the heat outlet grille located above the window of the appliance.
- Do not place material or garments over the front of the appliance as this could cause overheating and a fire risk.
- In the event of a fault unplug the heater.
- Unplug the appliance when not required for long periods.
- This appliance can be used by persons if they have been given instruction concerning use of the appliance in a safe way or are supervised and understand the hazards involved.
- This appliance can be used by children aged from 8 years and above and persons with reduced physical, sensory or mental capabilities or lack of experience or knowledge if they have been given instruction or supervision concerning use of the appliance in a safe way and understand the hazards involved.
- Children shall not play with the appliance. Cleaning and user maintenance shall not be carried out by children without adequate supervision.
- Children of less than 3 years should be kept away from the appliance unless continuously supervised.
- Children aged from 3 years and less than 8 years shall only switch on/off the appliance provided that it has been placed or installed in its intended normal operating position and they have been given instruction or supervision concerning use of the appliance in a safe way and understand the hazards involved.
- Children aged from 3 years and less than 8 years shall not plug in, regulate or clean the appliance or perform user maintenance on the appliance.
- If the supply cord is damaged, switch off the mains power at the wall socket immediately.
- **WARNING:** The heater must not be located immediately below, above or in front of a fixed socket outlet or electrical connection box.
- **WARNING:** Do not use this heater in small rooms when they are occupied by persons not capable of leaving the room on their own, unless constant supervision is provided.
- **CAUTION:** In order to avoid a hazard due to inadvertent resetting of the thermal cut-out, this appliance must not be supplied through an external switching device, such as a timer, or connected to a circuit that is regularly switched on and off by the utility.
- **CAUTION:** Some parts of this appliance around the heater grill can become very hot and cause burns. Particular attention has to be given where children and vulnerable people are present.
- The heater must not be positioned or used where it may come into contact with water, for example but not exclusively, in wet rooms, bathrooms, swimming pools, laundries or used to dry clothes.
- Do not use the appliance in rooms with explosive gas (e.g. petrol) or while using inflammable glue or solvent (e.g. when gluing or varnishing parquet floors, PVC etc.)
- Do not insert any objects into the appliance.
- This appliance must be connected to a 220-240VAC 50-60Hz supply.
- If the supply cord is damaged, it must be replaced by the manufacturer, its agent or a similarly qualified person in order to avoid a hazard.
- This appliance is supplied with a power lead complete with a moulded 13 Amp UK three-pin plug to connect into a standard UK socket outlet. This appliance must be earthed. The plug must be easily accessible after siting the appliance. Should a new fuse be required, consult a competent person to establish the reason for the fuse operating. Only once the fault is rectified should a new 13A fuse be inserted into the plug.



- Use only a dry duster or vacuum cleaner with brush attachment to clean the appliance. Never use abrasive cleaners, water, steam cleaners or aerosols on or near the appliance.
- Only control the appliance using the manual operations or the supplied remote control described in this manual. Do not use this heater with a programmer, timer, separate remote control system or any other device that switches the heater on automatically.

Remote Control Battery Warning

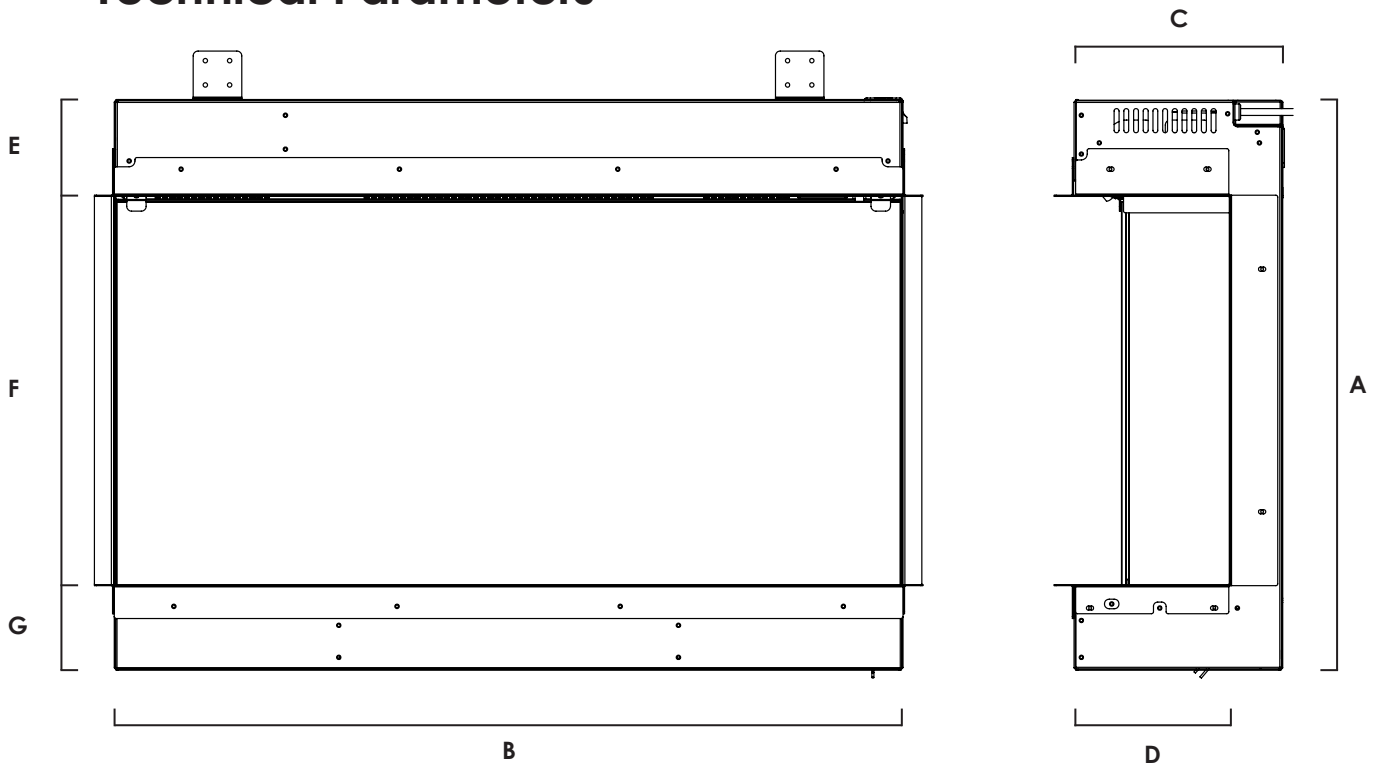
Only adults should handle the batteries. Do not allow a child to use the remote control unless the battery cover is securely attached to the battery compartment. All batteries must be disposed of at your local recycling point.

Technical Parameters

Information requirements for electric local space heaters

Model identifier(s): eTronic 800 Slimline & eTronic 1500 Slimline					
Item	Symbol	Value	Unit	Item	Unit
Heat output				Type of heat input, for electric storage local space heaters only (select one)	
Nominal heat output	P_{nom}	2.0	kW	manual heat charge control, with integrated thermostat	[no]
Minimum heat output (indicative)	P_{min}	1.0	kW	manual heat charge control with room and/or outdoor temperature feedback	[no]
Maximum continuous heat output	$P_{max,c}$	2.0	kW	electronic heat charge control with room and/or outdoor temperature feedback	[no]
Auxiliary electricity consumption				fan assisted heat output	[no]
At nominal heat output	el_{max}	N/A	kW	Type of heat output/room temperature control (select one)	
At minimum heat output	el_{min}	N/A	kW	single stage heat output and no room temperature control	[no]
In standby mode	el_{sb}	0.45	W	Two or more manual stages, no room temperature control	[no]
				with mechanic thermostat room temperature control	[no]
				with electronic room temperature control	[no]
				electronic room temperature control plus day timer	[no]
				electronic room temperature control plus week timer	[yes]
				Other control options (multiple selections possible)	
				room temperature control, with presence detection	[no]
				room temperature control, with open window detection	[yes]
				with distance control option	[no]
				with adaptive start control	[no]
				with working time limitation	[no]
				with black bulb sensor	[no]
Contact details:	Capital Fireplaces Ltd, Units 12-17 Henlow Trading Est, Henlow, Bedfordshire SG16 6DS				

Technical Parameters



	Dimension (mm)						
	A	B	C	D	E	F	G
eTronic 800 Slimline	595	820	218	163	100	403	87
eTronic 1500 Slimline	595	1520	218	163	100	403	87

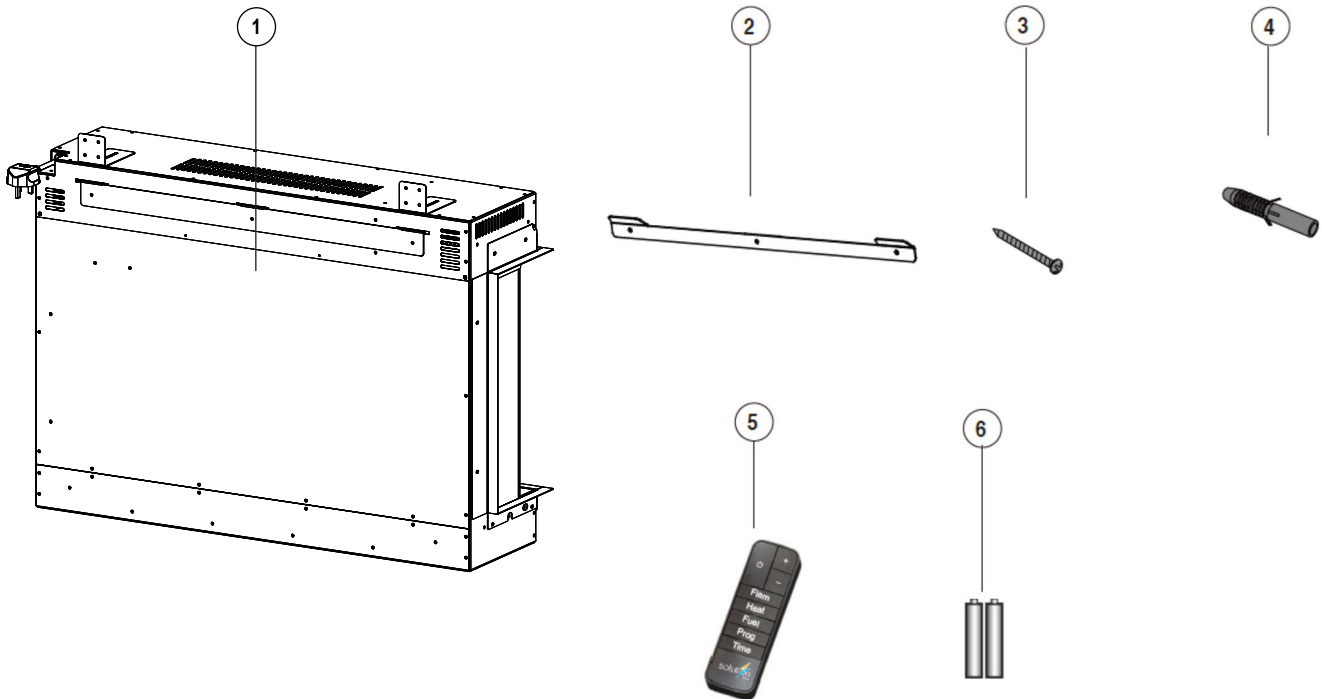
Note: Dimensions stated are in millimetres unless otherwise stated and may be subject to a slight +/- variation.

Technical Data

Voltage	220-240V AC ~50-60 Hz
Max Power	1700-2000W
Gross Weight (kgs)	eTronic 800 Slimline = 25.5kg / eTronic 1500 Slimline = 49.5kg
Efficiency Rating	A

Installation and Operating Instructions

Box Contents:



NOTE: Hardware not shown to actual size.

Ref.	Description	Quantity
1	Fireplace	1pc
2	Top Wall bracket (A)	Various
3	Long Screw (CC)	Various
4	Wall Anchors (EE)	Various
5	Remote control	1pc
6	AAA Batteries	1set (2pcs)

Planning Assembly

Before beginning assembly of product, make sure all parts are present. Compare parts with package contents lists. If any part is missing or damaged, do not attempt to assemble, install or operate the product. Contact customer service for replacement parts.

Estimated Assembly Time: 30 minutes

Commissioning and Handover

On completion of the installation:

- Ensure that the operating instructions for the unit are left with the customer.
- Ensure to advise the customer on the correct use of the appliance and how to isolate the unit when required.
- Advise the user what to do should smoke or fumes be emitted from the unit.

Installation and Operating Instructions

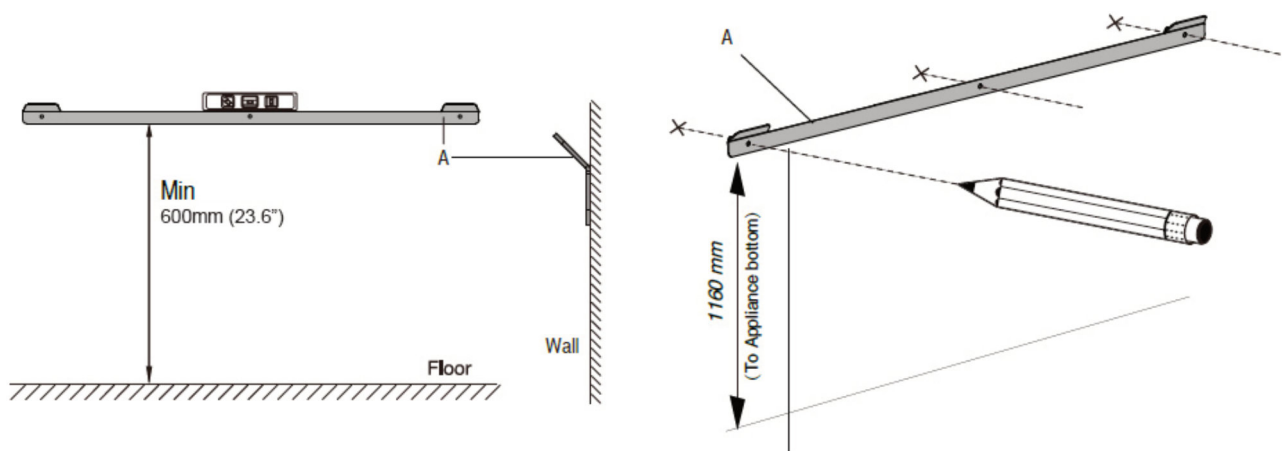
Installation

IMPORTANT: Do not connect the appliance until it is properly fixed to the wall and the instruction have been read fully. Ensure the minimum distances are observed.

1. Choosing a Wall Location

- Choose a wall location to attach the Top Wall Bracket (A). Position the Top Wall Bracket (A) in the desired location.
- Use a level to align the bracket and mark the holes with a pencil.

The fire is designed to be permanently fixed to a wall at a suitable height. The wall bracket must be fitted horizontally and the cable routed to the bottom right of the fire. A height of 60cm (23.6in) from the floor to the bottom of the fire is recommended for optimum viewing of the fuel bed.



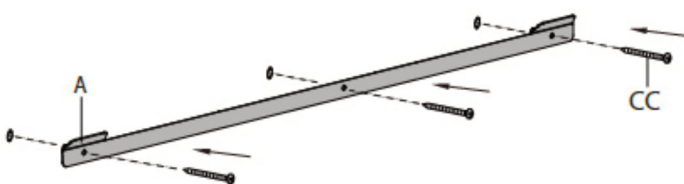
2. Drilling the Holes

- Put the bracket aside and drill the holes in the wall to a depth of 35mm (1 3/8in) using a 7mm (7/25in) drill bit.
- Insert the Wall Anchors (EE) into the holes by using a hammer.



3. Securing the Top Wall Bracket

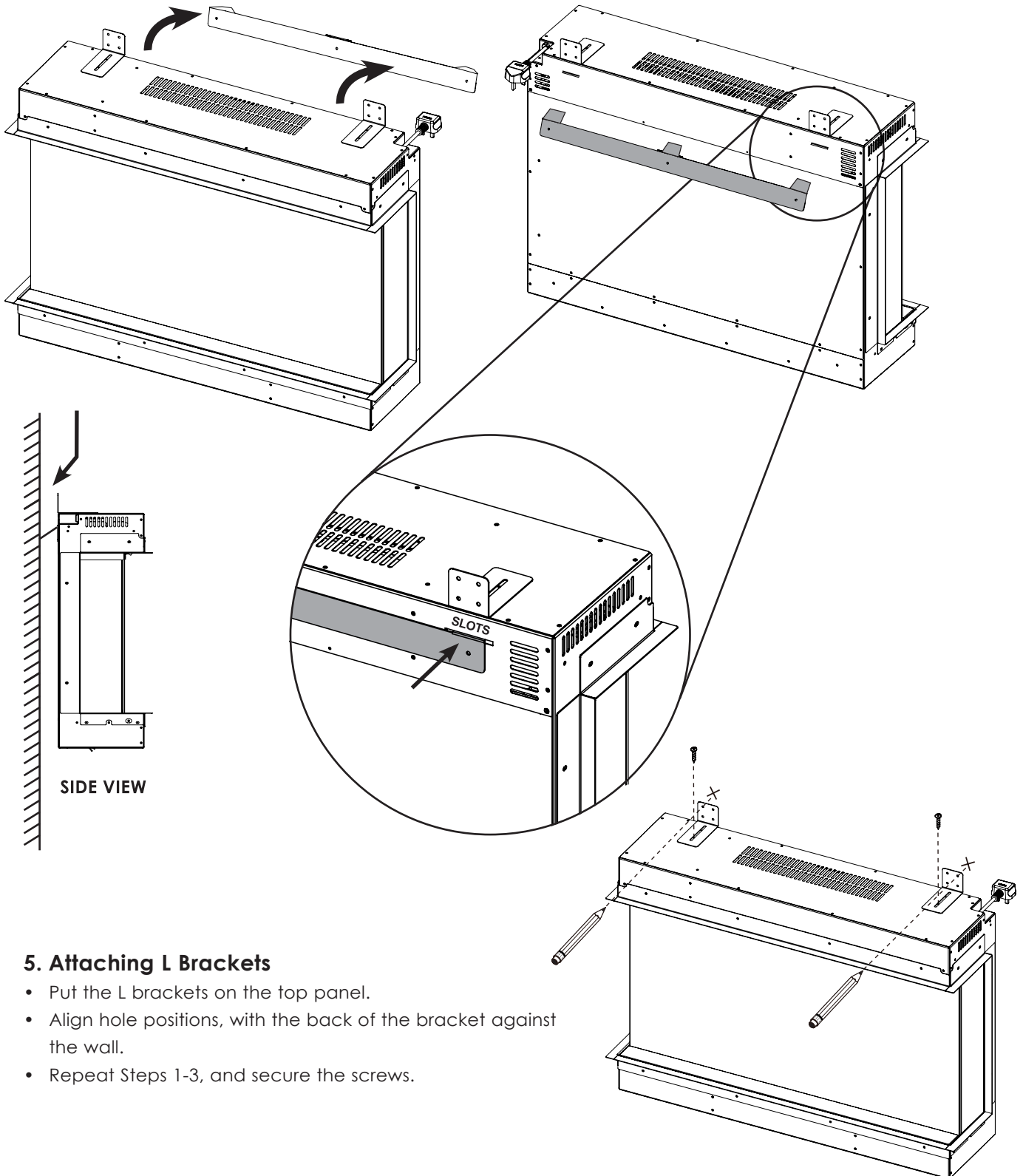
- Secure the Top Wall Bracket (A) to the wall by fastening provided Long Screws (CC) into the wall anchors. Included wall anchors may not be suitable for every wall type. Use alternative wall anchors, according to the structure being fixed to.



Installation and Operating Instructions

4. Hanging the Fireplace

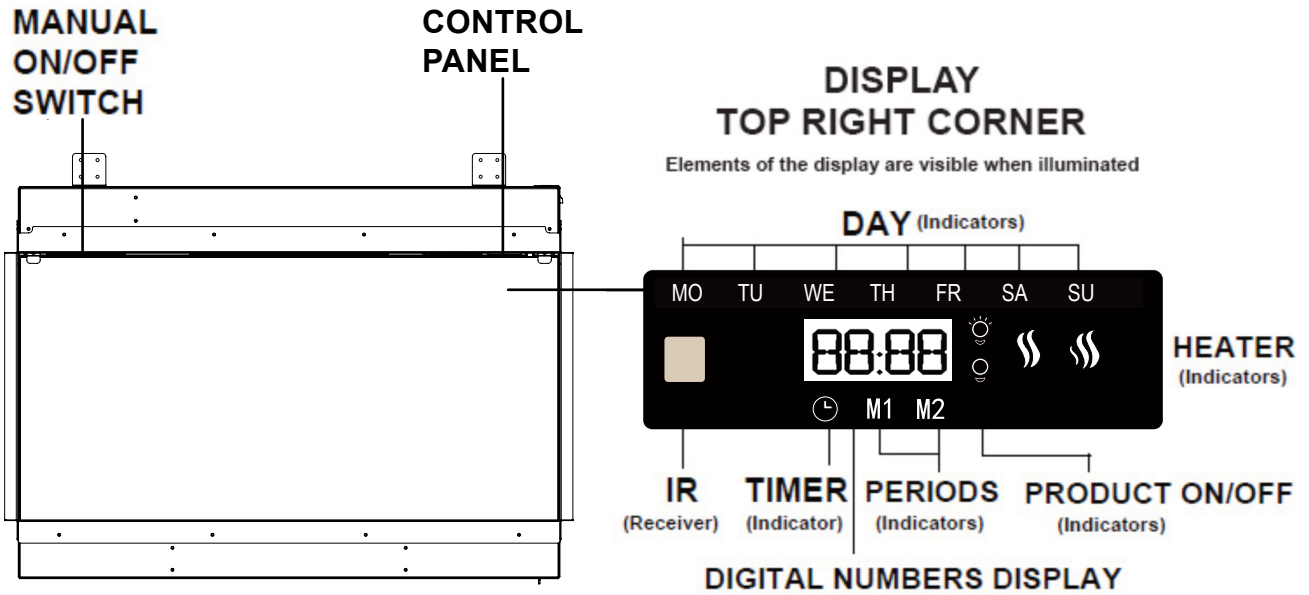
- Ensure the Top Wall Bracket (A) is secured into the Wall Anchors.
- Lift the Fireplace (a second person may be required), and align the slots on back panel with the hooks on Wall Bracket (A).
- Make sure the Top Bracket is inserted into the slots on back panel, release the fireplace and let it sit on the bracket freely.



5. Attaching L Brackets

- Put the L brackets on the top panel.
- Align hole positions, with the back of the bracket against the wall.
- Repeat Steps 1-3, and secure the screws.

Installation and Operating Instructions



The unit can be operated either by the key board (located just above the flame screen, on the right side), or using the remote control supplied. For the unit to operate, the manual ON/OFF switch, located on the left side of the grille panel must be switched to the "I" position.

ON-BOARD CONTROL BUTTONS

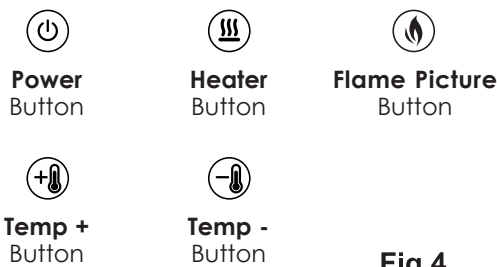


Fig 4

! NOTE: Before attempting any operation with the remote, press and slide the battery door (on the back of remote) open and insert two AAA batteries, checking that the + and - sides of the battery match inside the battery compartment, close the battery door.

REMOTE CONTROL BUTTONS

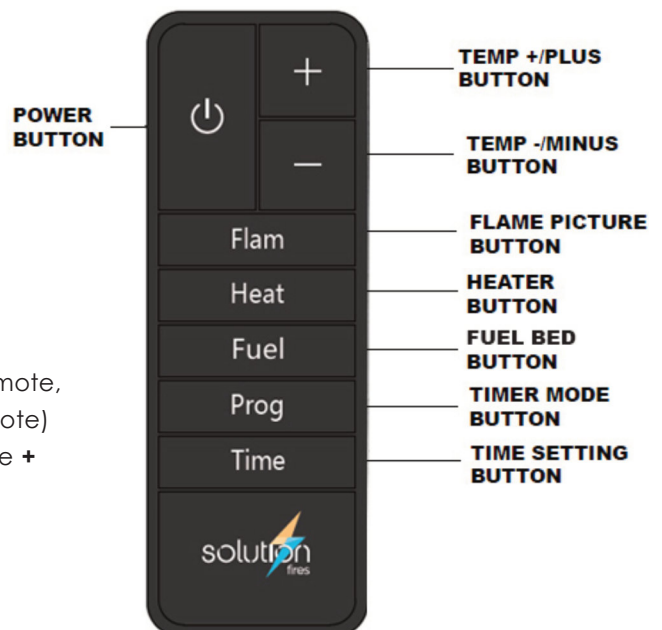


Fig 5

Operating Instructions Continued

NOTE: The functions below can be controlled either by the keyboard or remote control. Before using either control method, please ensure that the manual ON/OFF switch is to the "I" position.

Powering ON/OFF the Fireplace

Press the Power button to supply power to all functions of the fireplace. The current room temperature in the vicinity of the fireplace will be shown on the display. Press the Power button again to turn off all functions.

NOTE: All previous settings are held in memory, so the next time you power up the fireplace, the unit will turn on with the same settings.

Target Temperature Settings OR - + on Handset

Adjust the target temperature to the desired setting (15° to 30°C Range) using the +/PLUS & -/MINUS - See Fig.18

NOTE: The target temperature must be above the room temperature for the heating function to operate.

Flame Brightness Button - "Flam" Button on Handset

The brightness setting of the Flame Picture can also be adjusted by pressing the Brightness button to select from the following levels - see Fig. 6

H - High Setting

C - Intermediate/Central Setting

L - Low Setting

NOTE: The flame picture brightness can be adjusted using only the remote.

Heat or Heat on Handset

Press the Heater button to select Full Heat (2000W) - H2 with the red flame symbol will be displayed - see Fig.8. Press the Heater button again to select Half Heat (1000W) - H1 with the orange flame symbol will be displayed - see Fig.9

NOTE: On either heat setting, the heat function Will turn off when the room temperature reaches the target temperature. The heat function will automatically restart when the room temperature drops 3°C below the target temperature. Press the Heater button again to turn off the Heater function.

NOTE: The fan will run for approximately 15 seconds after the Heating function is turned off to remove any residual heat for the unit to protect the control components from any potential overheating.

Fig 6

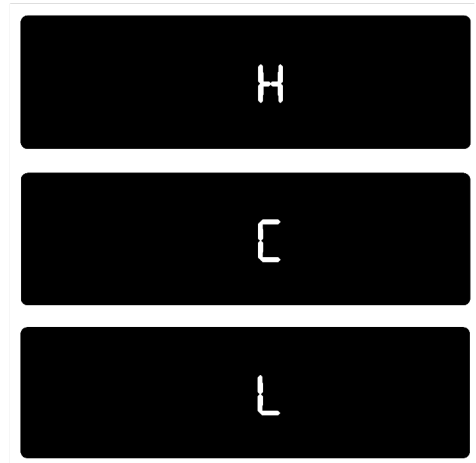


Fig 7



Fig 8



Fig 9



Operating Instructions *Continued*

Open Window Device Function - Additional Hidden Functions

This appliance has an open window detection function, When the heater is on operation (H1 or H2), if the ambient temperature drops 5°C within 10 minutes, the digital display will show **ECO**. It means there is window or door open or there may be another reason the temperature has dropped suddenly. When this happens, the heater will turn off. To restart the heaters, ensure the reason for the sudden temperature drop is resolved and then turn the heater back on. See Fig. 10

Fuel Bed Colour or "FUEL" Button on handset

By pressing the Fuel Bed Colour button, you can select 8 different options for the Fuel Bed as follows: (See Fig.11)

- 1 - OFF
- 2 - Red
- 3 - Sky Blue
- 4 - Orange
- 5 - Blue
- 6 - Purple
- 7 - Green
- 8 - Cycle from 2 to 7

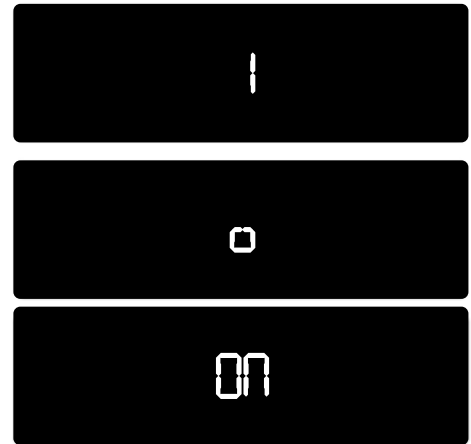
NOTE: The last theme 8 is a programme where the unit cycles through a variety of colours. Pressing the Fuel Bed Colour BUTTON in the display and holds the unit on the preferred colour, indicated by a solid circle. Use the same Fuel Bed Colour BUTTON to restart cycling, When the unit is cycling through the colours, a rotating circle will be displayed.

NOTE: You can turn off and on the down lights of your fire by holding down the FUEL BED COLOUR button for more than 3 seconds. The display will show the word "on" when the downlight is switched on.

Fig 10



Fig 11



Operating Instructions Continued (Remote Control)

Setting the Time & Day (24 Hour Clock)

1. Press the Power button to turn the unit on.
2. Press & hold the Time Setting button for two seconds to display the time & day - see Fig 12 (no numbers shown as time not set).
3. Press the Time Setting button & the day you are setting will flash - see Fig 13.
4. Adjust the day setting using the + / PLUS & - / MINUS
5. Press the Time Setting button & the hour you are setting will flash. Adjust the hour setting using the + / PLUS & - / MINUS buttons .
6. Press the Time Setting button & the minute you are setting will flash. Adjust the minute setting using the + / PLUS & - / MINUS buttons.
7. Press the Time Setting button to set the time & exit the time/date set-up.

Setting the Weekly Timer

The Timer allows for two ON/OFF periods (M1/M2) for each day of the week and the timer can be set using the following procedure:

1. Press the Power button to turn the unit on.
2. Press & hold the Prog for two seconds to enter the timer settings. The settings for the 1st ON/OFF period (M1) for Monday will be shown with the 1st ON time & hour setting flashing - see Fig 14. The green "on" light bulb signifies that you are setting the on time.
3. Adjust the hour setting using the + / PLUS & - / MINUS buttons and press the Time Setting button to select the minute setting. With the minute setting flashing, adjust the minute setting using the + / PLUS & - / MINUS buttons.
4. Press the Time Setting button & the display will move to the 1st OFF time setting - see Fig 15. The red "off" light bulb signifies that you are setting the off time.
5. Repeat steps 2 & 3 to set the 1st OFF time.
6. Press the Time Setting button & the display will move to the 2nd ON/OFF period (M2) with the 2nd ON time setting displayed.
7. Repeat steps 2 to 5 to set the 2nd ON/OFF period - see Fig 16.
8. Press the Time Setting button & the display will move to the 1st ON/OFF period (M1) for Tuesday with the 1st ON time setting displayed.
9. Repeat steps 2 to 8 for Tuesday's settings and repeat this process for Wednesday to Sunday's settings.
10. Having confirmed Sunday's settings, exit the timer settings by not using the remote for 10 seconds and the unit will default into normal operating mode.

To activate the timer settings, press the Timer Mode button until the timer symbol is displayed on the screen - see Fig 17.

Fig 12

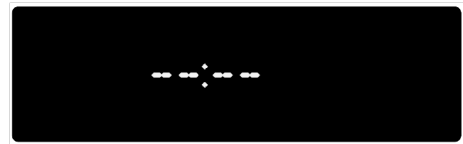


Fig 13



Fig 14



Fig 15



Fig 16



Fig 17



NOTE: The time & day must be set before the Timer Mode can be activated. The unit can still be operated normally when in the timer mode using the Heater function.

Thermal Safety Cut-Out

A thermal safety cut-out is incorporated in the heater to prevent damage due to overheating. This can happen if the heat outlet is restricted in any way. The heater will switch on once the obstruction has been removed and the heater has cooled. If the cut-out continues to operate intermittently, the heater should be switched off and a service agent contacted.

Light Emitting Diode

This fire is fitted with LED (Light Emitting Diode) bulbs in place of traditional incandescent bulbs. These generate the same light levels as traditional bulbs, but use a fraction of the energy consumed.

Cleaning, Servicing and Maintenance

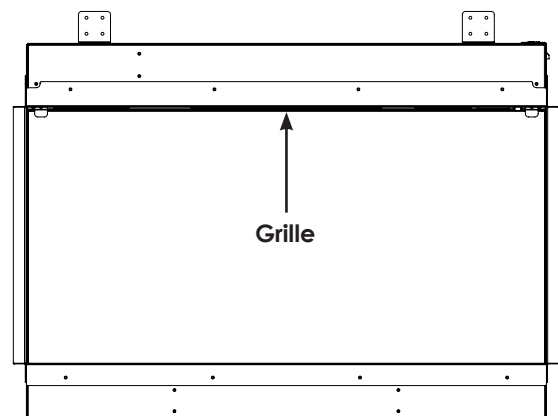
NOTE: There are no user-serviceable components to this appliance. If there are issues that cannot be resolved with your appliance, then please contact your retailer. Allow the product to completely cool before handling or cleaning it.

1. Switch off and unplug from the power supply before cleaning.
2. Do not allow water or other liquids to run into the interior of the product, as this could create a fire and or electrical hazard.

CAUTION: Do not use harsh detergents, chemical cleaners or solvents as they may damage the surface finish or the plastic components.

3. Hard floor coverings in particular, but all floor coverings cause fluff that can be drawn into the air intakes.

From time-to time and no less than every two months, isolate the fire from the mains and attach the brush accessory to your vacuum cleaner and gently vacuum the air intakes and outlets.



Correct Disposal Of This Product

This marking indicates that this product should not be disposed with other household wastes through the UK and EU. To prevent possible harm to the environment or human health from uncontrolled waste disposal, recycle it responsibly to promote the sustainable reuse of material resources. To return your used device, please contact the retailer where the product was purchased. They can take this product for environment safe recycling.



Battery Replacement Remote Control

Battery information - see Fig. 18

1. Slide open the battery cover on the back of the remote control.
2. Install AAA batteries into the remote control.
3. Replace the battery cover.

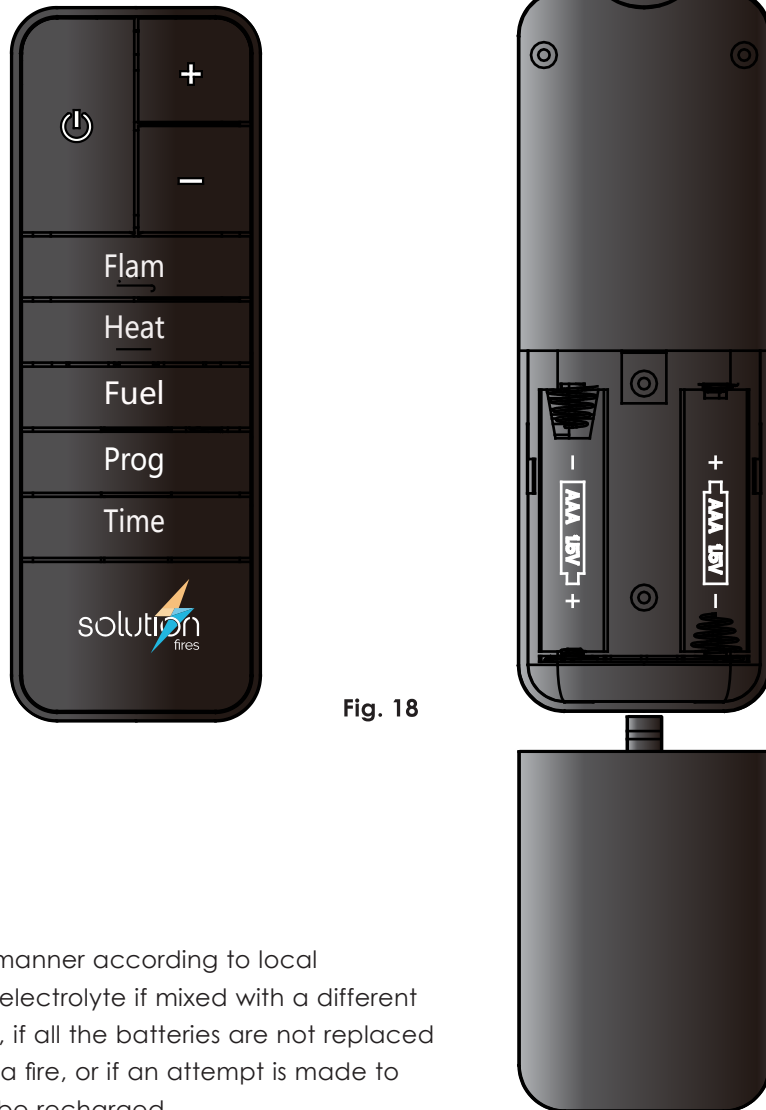


Fig. 18

Discard leaky batteries

Dispose of batteries in the proper manner according to local regulations. Any battery may leak electrolyte if mixed with a different battery type, if inserted incorrectly, if all the batteries are not replaced at the same time, if disposed of in a fire, or if an attempt is made to charge a battery not intended to be recharged.

Troubleshooting

(IF IN DOUBT isolate the appliance and seek professional advice)

The unit does not switch on:

- Check main power on/off switch is on and orange light on flame screen illuminates.
- Check the battery in the remote control handset.
- If none of the above work, then please refer to your retailer.

The heater smells of burning:

- On first uses there may be a smell as the heating elements burn off residual deposits from manufacture.
- After periods of no use, dust can settle on the elements and will burn off. Excessive dust and fluff is a fire risk and should be eliminated by following the service and maintenance steps on page 14.
- If smell continues, please refer to your retailer.

When the heater is switched on it cuts itself off.

- This could be the normal operation of the thermostat having been set to a target temperature which has been reached, and is fine.
- This could be the safety thermal cut-out device operating. If this operates, then firstly isolate the appliance from the mains and then check for obstructions to the air flow and remove them. This could be fluff in the vent grilles, for example. Once the obstruction(s) have been removed, let the appliance cool down for 15 minutes and then reconnect the appliance to the mains and try the appliance again. If the issue persists, then seek the advice of your retailer.
- As an additional safety feature, the heater will turn off after 12 hours continuous operation in case it has been left on by mistake.

Stove fire sounds

- Your fire will make some sounds during normal operation. There are three sources of sound:
 - 1. Switch/thermostat** - During operation they will make quiet clicking sounds and will occur when your heater fan and heating elements are switched on or off.
 - 2. Flame Effect** - To ensure you experience a slow and relaxed flame effect speed, the electric motor provides its drive via an internal gearbox that will emit a very faint gear noise.
 - 3. Fan Heater** - just like any fan heater there will be the sound of air being blown into the room.

The thermostat reading on the screen does not match the room temperature.

- The thermostat reading is of the ambient temperature in the immediate vicinity of the fire. It may be necessary to set a higher target temperature in some instances. In some cases it may be more suitable to turn on the heating element(s) without setting a target temperature – see heater instructions.

Solution Fires Warranty

All Solution Fires come with a standard 1 year parts warranty extendable to 2 years on registration. Any fire purchased outside of our authorised dealer network will carry a 1 year non-extendable warranty.

To activate your extended warranty, you must register your fire online at www.solutionfires.co.uk within one month of the purchase date. Any fires registered after this period will carry a 1 year non-extendable warranty.

For full details of our warranty and to view the limitations and exclusions please visit our website www.solutionfires.co.uk

Why not take advantage of our Platinum Warranty Plan for a one off payment of £49.99 which gives you peace of mind for 5 years from date of purchase on all included parts and a 25% discount off non included parts and accessories.

The platinum warranty is only available up to 60 days from date of purchase and only to customers who have purchased their fire from an authorised dealer. **Apply via our web site www.solutionfires.co.uk, where full terms and conditions are available.**

To ensure your Solution Fire continued to operate at its optimum level you must follow the care and maintenance advice in the user instructions.

Terms & Conditions

This warranty is for domestic use, not transferable and is extended only to, and solely for, the benefit of the original purchaser of the Solution Fire. Please retain your dated sales receipt as proof of purchase.

During your warranty period, only genuine Solution Fire spare parts must be used in the servicing and maintenance of your Solution Fire, these spare parts can be ordered from www.solutionfires.co.uk, or directly from a Solution Fire Retailer. Items considered as consumable such as glass, screens, bulbs, LED boards, ceramic logs, fuses and batteries which are either subject to normal wear and tear or parts that require replacement in connection with normal maintenance are not covered by the warranty. Loss or damage of any remote control handsets is also excluded from the warranty.

Should you experience problems with your Solution Fire, any claim must be submitted to the Solution Fire Retailer from where the Solution Fire was purchased.

The Solution Fire warranty does not cover:

- 1) Damage resulting from installation and usage where the appliance has not been installed or used in accordance with the Solution Fire installation and operation instructions, or if the installation does not conform to local building, fire and safety regulations.
- 2) Damage caused by unauthorised modifications, use or repair.
- 3) Damage or defects caused by the product being stored in a damp, unheated environment.
- 4) Consequential loss (to the extent permitted by the law) relating to other associated products that have not been supplied by Solution Fires.
- 5) Consequential loss (to the extent permitted by law) related to decorations, furnishings or other household assets.
- 6) Removal and re-installation costs.

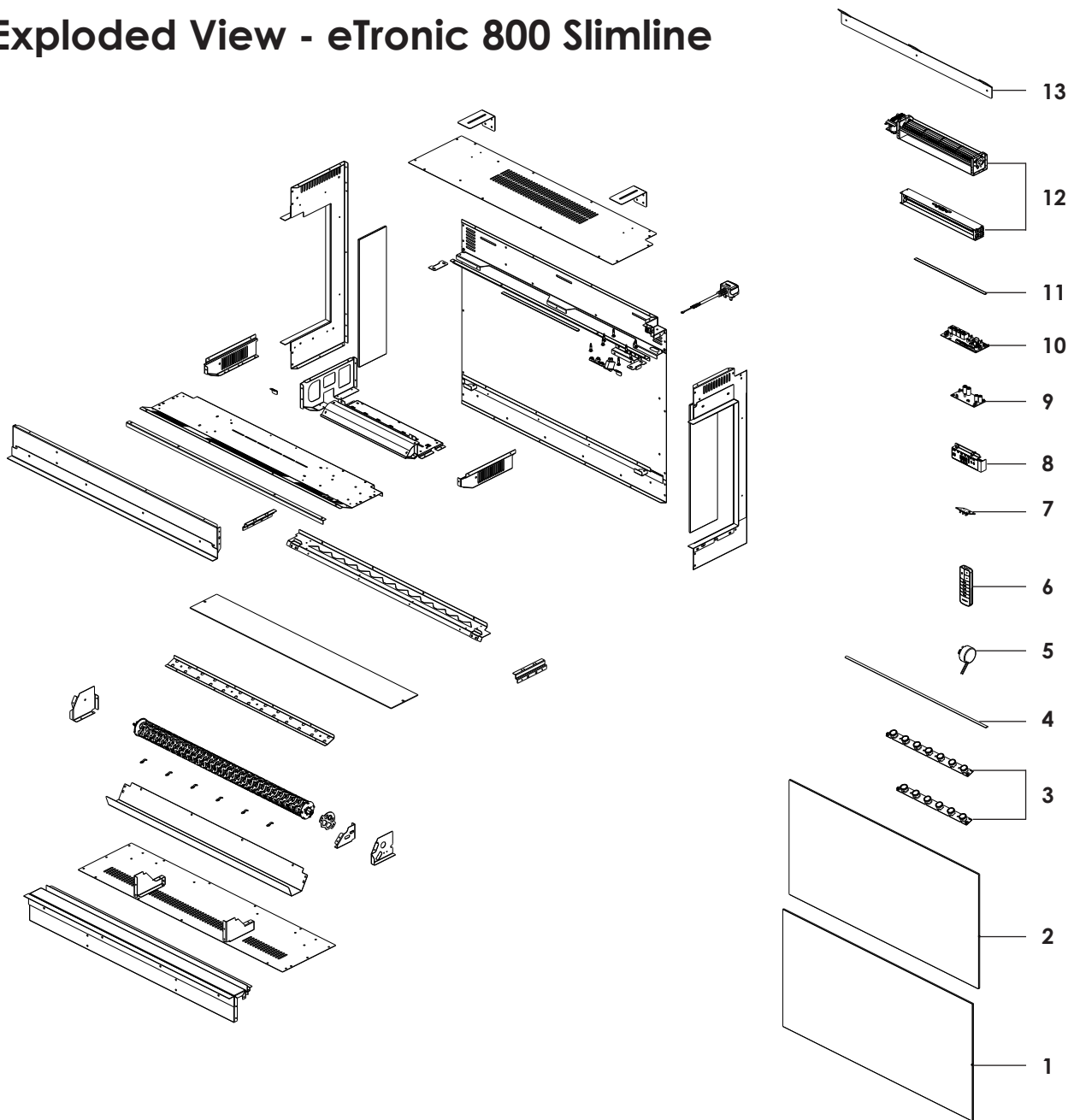
Repaired or replaced components are covered only for the remainder of the original warranty period.

In the event of a product fault occurring during the warranty period, Solution Fires will send the appropriate component to rectify the fault, free of charge.

Nothing in the warranty shall make Solution Fires liable for any or special, incidental or consequential damages, injury to persons or property, or any other consequential loss beyond the consumer's statutory rights. The liability on these issues is covered by Solution Fire Terms and Conditions of Sale.

Solution Fires total liability extends only to the purchase price paid for the goods, except where such a limitation is prohibited by statute. Solution Fires, in the event of a warranty claim, reserves the right to either replace the goods in questions or to refund the purchase price of the goods. The Solution Fire warranty does not affect your statutory rights.

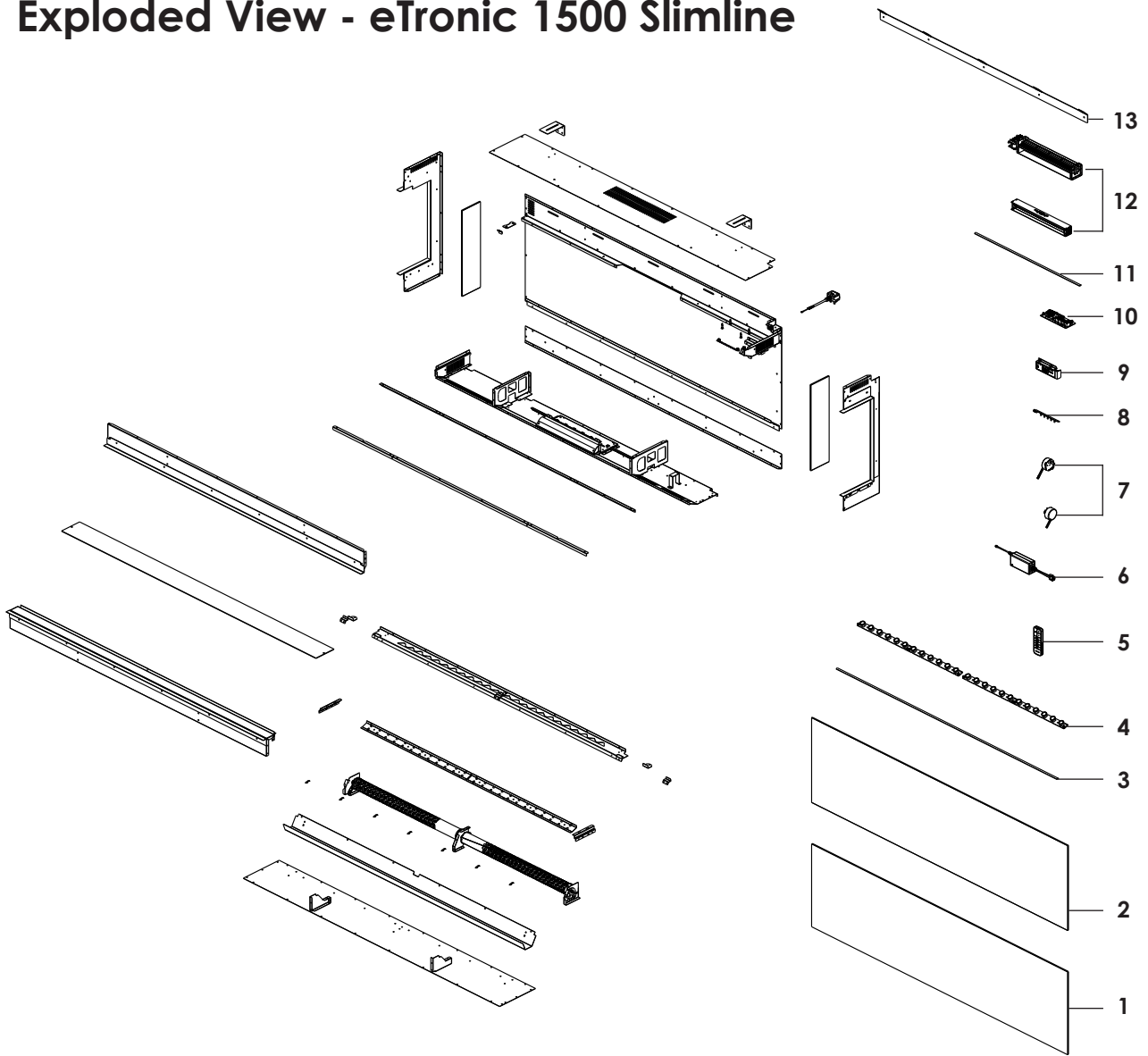
Exploded View - eTronic 800 Slimline



Replaceable Parts

No	Description	Part Number
1	Front Glass	22 03 210
2	Flame Screen	22 03 213
3	Flame LEDs	22 03 215
4	Fuel Bed LED Strip	22 03 216
5	Motor	22 03 217
6	Remote Handset	22 03 120
7	On-Board Control PCB Board	22 03 206
8	Display/IR Receiver	22 03 194
9	Power Supply Board	22 03 127
10	Main PCB Board	22 03 138
11	Downlight LED Strip	22 03 142
12	Blower and Heater Assembly	22 03 140
13	Wall Bracket	22 03 219

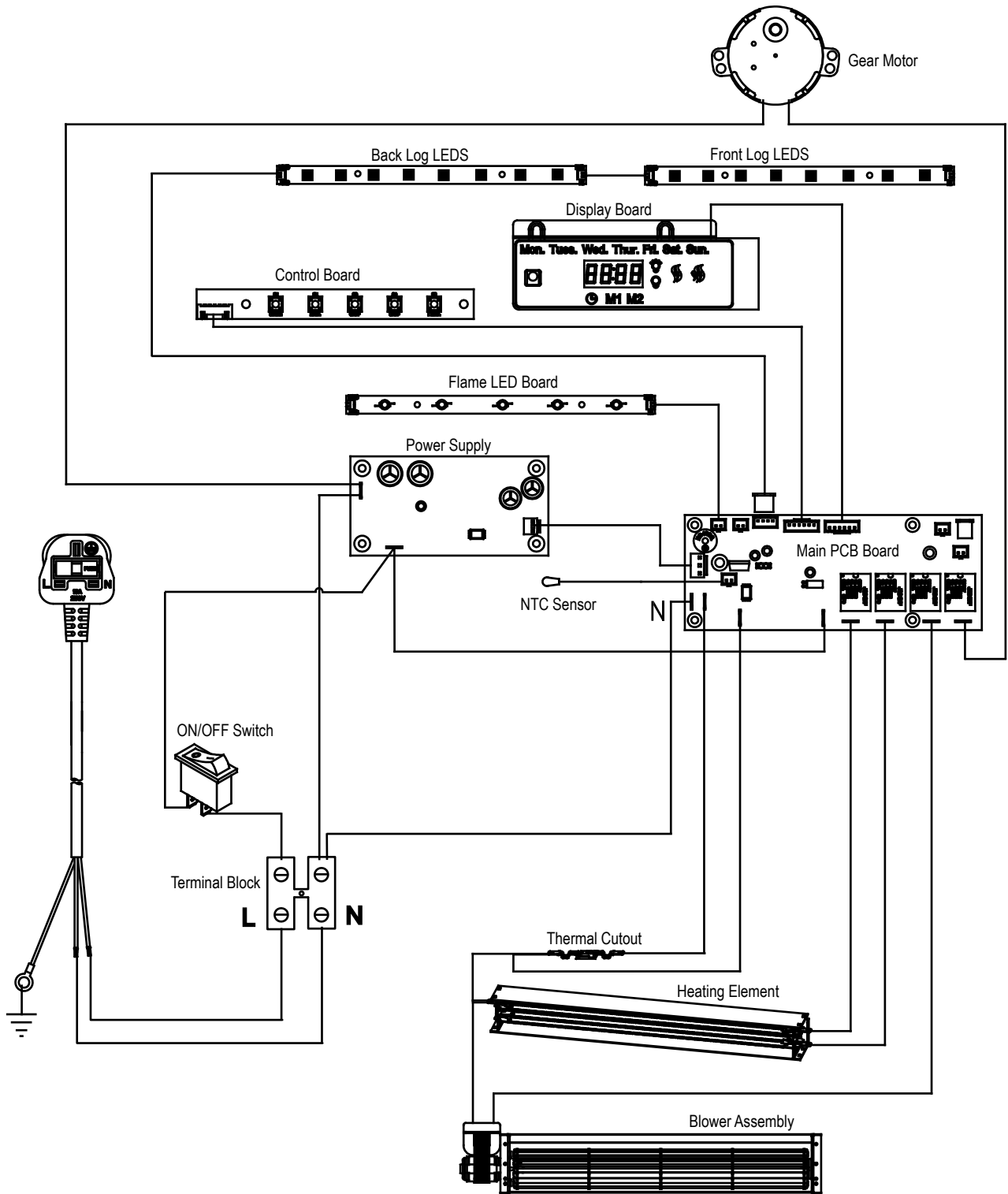
Exploded View - eTronic 1500 Slimline



Replaceable Parts

No	Description	Part Number
1	Front Glass	22 03 220
2	Flame Screen	22 03 223
3	Fuel Bed LED Strip	22 03 227
4	Flame LEDs	22 03 225
5	Remote Handset	22 03 120
6	Power Supply	22 03 229
7	Motor	22 03 231
8	On-Board Control PCB Board	22 03 139
9	Display/IR Receiver	22 03 194
10	Main PCB Board	22 03 138
11	Downlight LED Strip	22 03 226
12	Blower and Heater Assembly	22 03 140
13	Wall Bracket	22 03 230

Wiring Diagram





www.solutionfires.co.uk | info@solutionfires.co.uk
CAPITAL FIREPLACES LTD, Unit 12-17 Henlow Trading Estate,
Henlow Camp, Bedfordshire, SG16 6DS. UK.