

FRAMA
Fredericiagade 57, 1310 Copenhagen K
+45 3140 6030 framacph.com

FRAMA

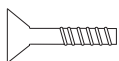
ASSEMBLY GUIDE

Pond Coffee & Side Table

In this box you will find:

1x Middle leg, 2x Side legs, 1x Tabletop, 1x Metal plate, 2x Wooden dowels, 2x Steel bolts, 2x Bushings, 2x Screw in bushings, 1x Hex key, 8x Countersunk Hex screws

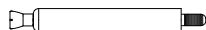
Necessary Tools: Screwdriver



8x COUNTERSUNK
HEX SCREWS



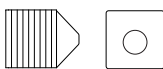
2x DOWELS



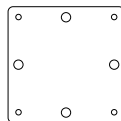
2x STEEL BOLTS



1x HEX KEY

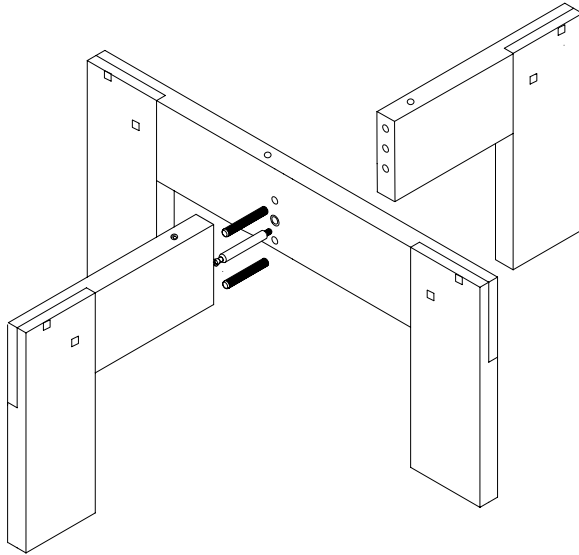


2x SCREW IN BUSHINGS
& 2x BUSHINGS

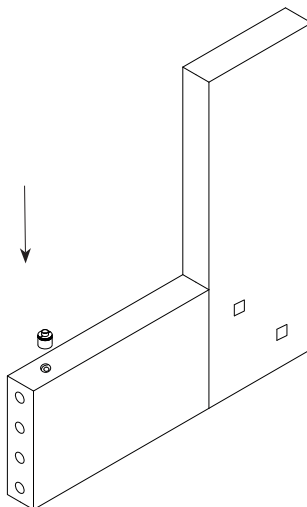


1x METAL PLATE

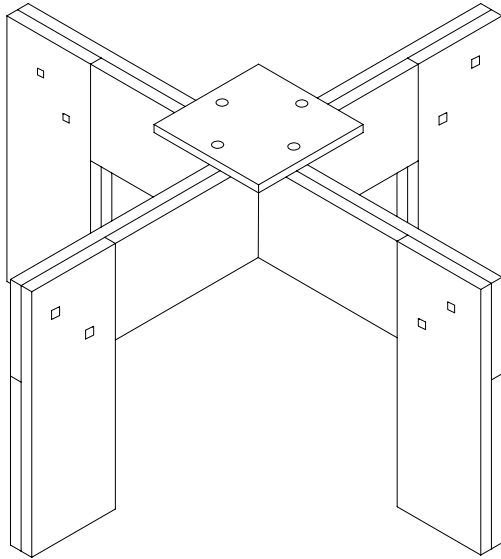
1. Start by placing the wooden dowels into the three top holes of the middle leg. Screw the two steel bolts in the bottom hole on both sides of the same middle leg. To hold the base together, make all the components coincide and connect them to the side legs..



2. Place the legs upside down and use the provided metal screw-in bushings to tighten the entire base together with the hex key.



3. Turn the base around and align the metal plate with the pre-drilled holes. Tighten it by using the provided hex screws with the hex key.



4. Turn the base upside down once more, and place the metal plate into the carved shape of the countersunk. Tighten the metal plate to the tabletop by using the provided hex screws with the hex key.

