

Aurelia Double Pendant



MARZ DESIGNS

info@marzdesigns.com
+61 (02) 6680 4971

3/1 Boronia Place
Byron Bay NSW 2481

www.marzdesigns.com



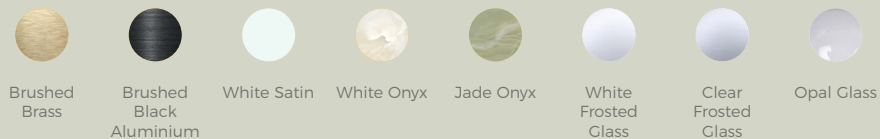
Aurelia Double Pendant

Available in small and large sizes in white or jade stone, the Aurelia Double Pendant forms part of a new celestial range of residential and commercial lighting. Defined by soft balance and symmetry, this dual-light source combines contemporary and classic parts through a chandelier-style design.

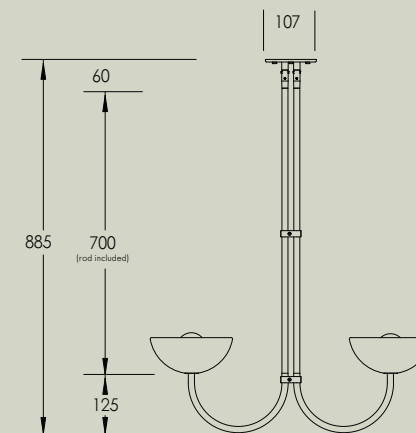
Details

Size (mm) Small	850h x 450w x 170d
Size (mm) Large	885h x 590w x 170d
Glass shade	60mm x 2
Lamp base	G9 push fit x 2
Lamp	220-280V 5W 3000K 370lm LED x 2 100-130V 4.5W 3000K 450lm LED x 2
Voltage	220-280V or 100-130V
Dimmable	Lamp included is compatible with most brand name dimmers
Weight	9.7kg
IP	IP44
Certification	CE UK RoHS
Note 1	Stone is a natural product and can vary in colour, tone and vein.

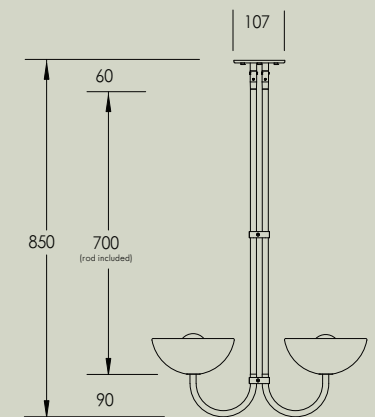
Finishes



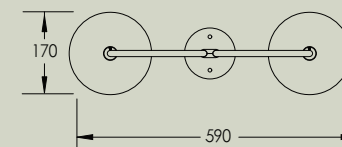
Front view
Large



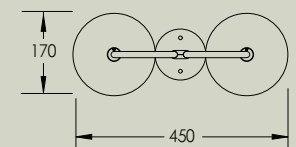
Front view
Small



Bottom view
Large



Bottom view
Small





Pendant details

Supplied with a fully customisable solid metal rod and hang straight.



Solid Rod

5 x Rod lengths available. Connect as many rods together to achieve your desired drop length. Supplied with a "hang-straight" which allows the pendant to be installed on an angled ceiling.

Standard rod length included: 700mm

Other rod lengths include (mm): 90 / 127 / 300 / 500 / 700
The maximum overall rod combination length is 3m.

Finishes



Brushed
Brass



Brushed
Black
Aluminium



White Satin

