

Aurelia Double Offset Pendant



MARZ DESIGNS

info@marzdesigns.com
+61 (02) 6680 4971

3/1 Boronia Place
Byron Bay NSW 2481

www.marzdesigns.com



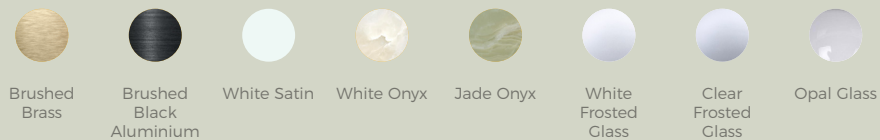
Aurelia Double Offset Pendant

The elegant asymmetry of the Aurelia Double Pendant Offset bears a contemporary translation of classic chandelier-style design. This staggered, dual-light source is suitable for any residential or commercial lighting and is available in small and large sizes, in naturally veined jade and white stone.

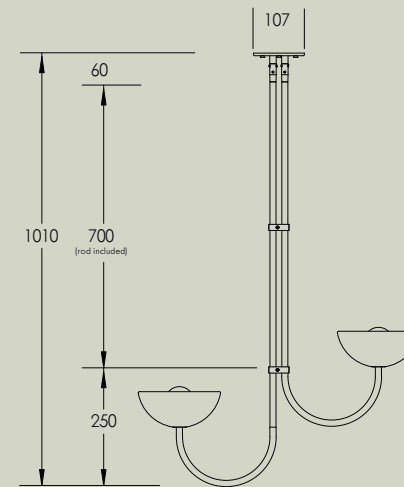
Details

Size (mm) Small	975h x 450w x 170d
Size (mm) Large	1010h x 590w x 170d
Glass shade	60mm x 2
Lamp base	G9 push fit x 2
Lamp	220-280V 5W 3000K 370lm LED x 2 100-130V 4.5W 3000K 450lm LED
Voltage	220-280V or 100-130V
Dimmable	Lamp included is compatible with most brand name dimmers
Weight	9.8kg
IP	IP44
Certification	CE UK A
Note 1	Stone is a natural product and can vary in colour, tone and vein.
Note 2	Heavy item. Reinforcement behind substrate may be required. Please check with installer prior to installation. Suitable fixings required.

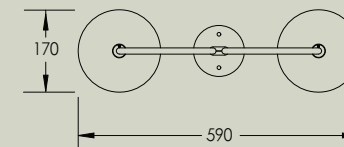
Finishes



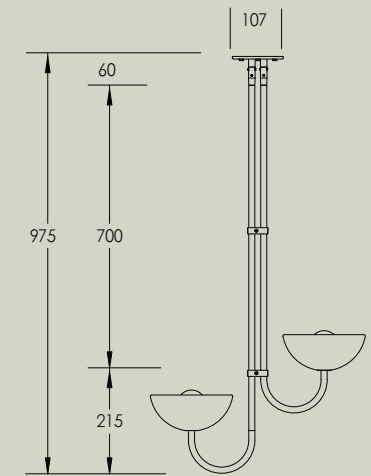
Front view
Large



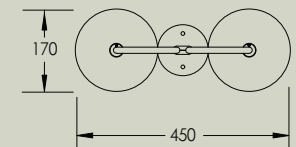
Bottom view
Large



Front view
Small



Bottom view
Small





Pendant details

Supplied with a fully customisable solid metal rod and hang straight.



Solid Rod

5 x Rod lengths available. Connect as many rods together to achieve your desired drop length. Supplied with a "hang-straight" which allows the pendant to be installed on an angled ceiling.

Standard rod length included: 700mm

Other rod lengths include (mm): 90 / 127 / 300 / 500 / 700
The maximum overall rod combination length is 3m.

Finishes



Brushed
Brass



Brushed
Black
Aluminium



White Satin

