

Terra 1 Pendant



MARZ DESIGNS

info@marzdesigns.com
+61 (02) 6680 4971

3/1 Boronia Place
Byron Bay NSW 2481

www.marzdesigns.com



Terra 1 Pendant

The Terra 1 Pendant light is available in a choice of three tones – Slate, Sage and Vanilla Bean. Each component is infused with subtle variations inherent in the handmade process, which is then made permanent in the firing.

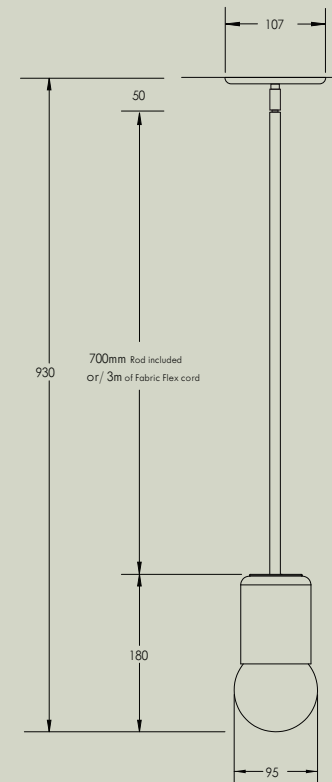
Details

Size (mm)	Solid Rod 930h x 107w x 107d Fabric Flex 180h x 107w x 107d
Glass shade	95mm
Lamp base	G9 push fit
Lamp	220-280V 5W 3000K 370lm LED 100-130V 4.5W 3000K 450lm LED
Voltage	220-280V or 100-130V
Dimmable	Lamp included is compatible with most brand name dimmers
Weight	Under 1kg
IP	IP44
Certification	CE UK CA
Notes	Ceramic pigments are mixed by hand and can vary up to 5% in colour tone and depth

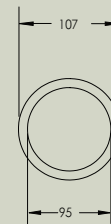
Finishes



Side view



Bottom view





Pendant options

Choose between either a solid rod or fabric flex



Solid Rod Details

5 x Rod lengths available. Connect as many rods together to achieve your desired drop length. Supplied with a "hang-straight" which allows the pendant to be installed on an angled ceiling.

Standard rod length included: 700mm

Other rod lengths include (mm): 90 / 127 / 300 / 500 / 700
The maximum overall rod combination length is 3m.

Finishes



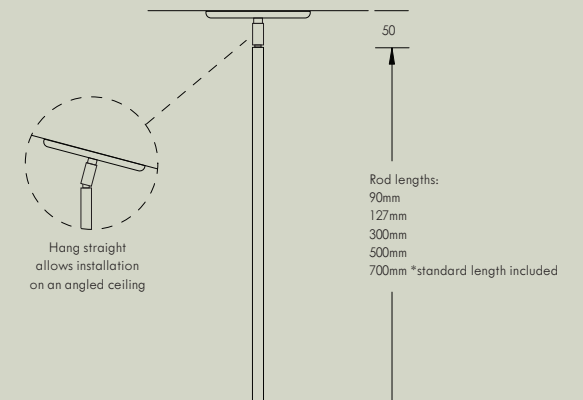
Brushed
Brass



Brushed
Black
Aluminium



White
Powder
coat



Fabric Flex Details

Pendant light with fabric flex comes with 3 metres of beige fabric cord that can be cut and adjusted to your desired length on-site.

Finishes



Beige
Fabric Cord

