

Terra 1 Long Articulating



MARZ DESIGNS

info@marzdesigns.com
+61 (02) 6680 4971

3/1 Boronia Place
Byron Bay NSW 2481

www.marzdesigns.com



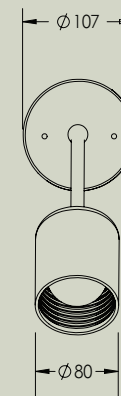
Terra 1 Long Articulating

The Long Articulating light is available in a choice of three tones – Slate, Sage and Vanilla Bean. Each component is infused with subtle variations inherent in the handmade process, which is then made permanent in the firing.

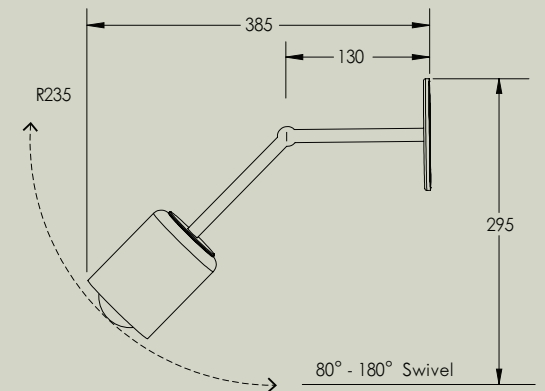
Details

Size (mm)	107w x 295h x 385d
Glass shade	60mm long
Lamp base	G9 push fit
Lamp	220-280V 5W 3000K 370lm LED 100-130V 4.5W 3000K 450lm LED
Voltage	220-280V or 100-130V
Dimmable	Lamp included is compatible with most brand name dimmers
Weight	Under 1kg
IP	IP20 or IP44
Certification	CE UK CA
Note 1	Articulation joint moves in one direction only
Note 2	Flat blade screwdriver required to fix light angle

Front view



Side view



Finishes

