

Terra 0 Short Articulating



MARZ DESIGNS

info@marzdesigns.com

+61 (02) 6680 4971

3/1 Boronia Place
Byron Bay NSW 2481

www.marzdesigns.com



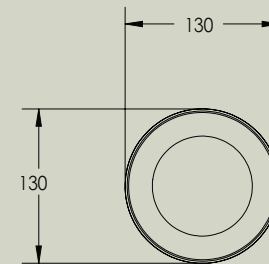
Terra 0 Short Articulating

The Terra 0 Short Articulating Light features a singular domed ceramic fitting creating a controlled light source. The light is both directional and functional.

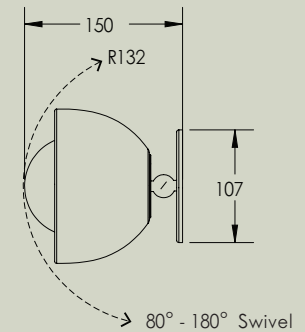
Details

Size (mm)	130Ø x 150d
Glass shade	95mm
Lamp base	G9 push fit
Lamp	220-280V 5W 3000K 370lm LED 100-130V 4.5W 3000K 450lm LED
Voltage	220-280V or 100-130V
Dimmable	Lamp included is compatible with most brand name dimmers
Weight	Under 1kg
IP	IP20 or IP44
Certification	CE UK CA
Note 1	Articulation joint moves in one direction only
Note 2	Flat blade screwdriver required to fix light angle
Note 3	Light fixture can be installed on both walls and ceilings
Note 4	Ceramic pigments are mixed by hand and can vary up to 5% in colour tone and depth

Front view



Side view



Finishes

