

**Bright Beads Sphere Pendant**



**MARZ DESIGNS**

info@marzdesigns.com  
+61 (02) 6680 4971

3/1 Boronia Place  
Byron Bay NSW 2481

www.marzdesigns.com



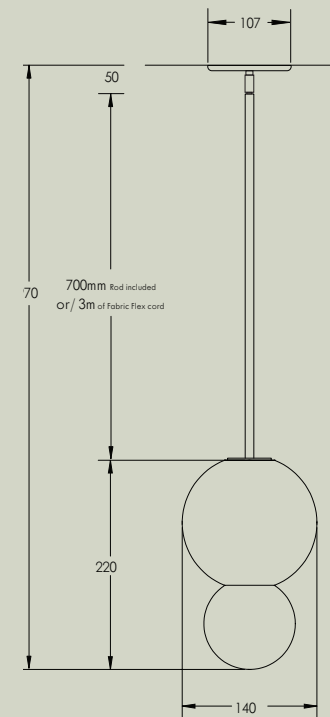
## Bright Beads Sphere Pendant

Developed as an extension of the signature Bright Beads range, the Sphere Pendant light features an exaggerated beaded lamp holder, adding a fun and unexpected quality through its form and finish.

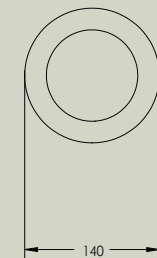
### Details

Size (mm)	<b>Solid Rod</b> 970h x 140d x 140h   <b>Fabric Flex</b> 220h x 140d x 140h
Glass shade	95mm
Lamp base	G9 push fit
Lamp	220-280V 5W 3000K 370lm LED 100-130V 4.5W 3000K 450lm LED
Voltage	220-280V or 100-130V
Dimmable	Lamp included is compatible with most brand name dimmers
Weight	Under 1.5kgs
IP	IP44
Certification	CE UK CA
Note 1	Do not over-tighten glass cover. Timber is prone to expanding & contracting and can cause glass to break from pressure.
Note 2	Finished with a natural bees wax

Side view



Bottom view



### Finishes



Brushed Brass



Brushed Black Aluminium



Oak FSC



Walnut FSC



White Frosted Glass



Clear Frosted Glass



Opal Glass



## Pendant options

Choose between either a solid rod or fabric flex



### Solid Rod Details

5 x Rod lengths available. Connect as many rods together to achieve your desired drop length. Supplied with a "hang-straight" which allows the pendant to be installed on an angled ceiling.

**Standard rod length included: 700mm**

Other rod lengths include (mm): 90 / 127 / 300 / 500 / 700  
The maximum overall rod combination length is 3m.

### Finishes



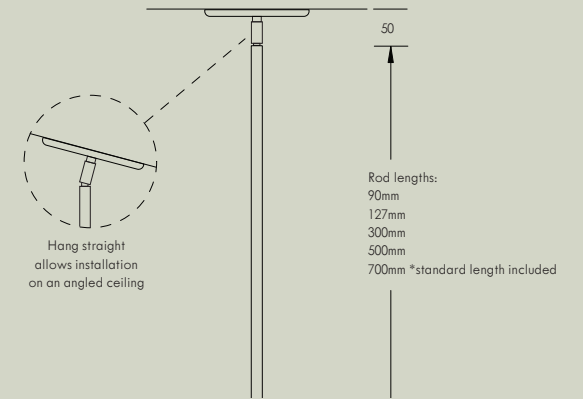
Brushed  
Brass



Brushed  
Black  
Aluminium



White  
Powder  
coat



### Fabric Flex Details

Pendant light with fabric flex comes with 3 metres of black fabric cord that can be cut and adjusted to your desired length on-site.

### Finishes



Stripe  
Fabric Cord

