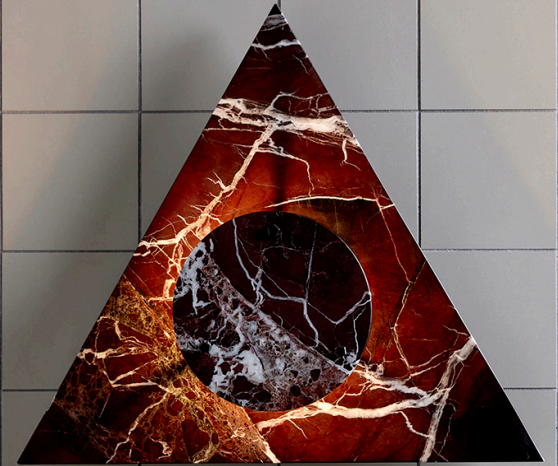


Bermuda Wall Light



MARZ DESIGNS

info@marzdesigns.com
+61 (02) 6680 4971

3/1 Boronia Place
Byron Bay NSW 2481

www.marzdesigns.com



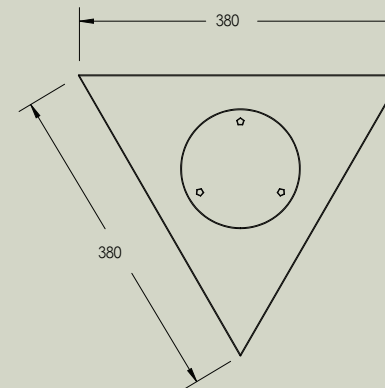
Bermuda Wall Light

The Bermuda range of wall lights is a contemporary lighting design available in three earthy marble hues – Moss, Plum and White Carrara. The equilateral form allows the wall light to be infinitely tessellated to create an impressive centrepiece installation both when in use and when switched off.

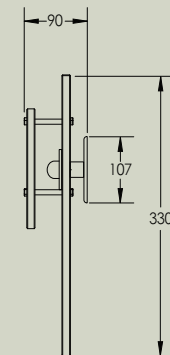
Details

Size (mm)	380w x 330h x 90d
Lamp base	G9 push fit
Lamp	2.5W 3000K 250lm LED Lamp included
Voltage	220-280V or 100-130V
Dimmable	Lamp included is compatible with most brand name dimmers
Weight	Under 5kgs
IP	IP44
Certification	  
Note 1	Light can be installed in any orientation
Note 2	Marble is a natural product and can vary in colour, tone and vein.

Front view



Side view



Finishes



Brushed
Brass



Brushed
Black
Aluminium



White
Carrara



Plum



Moss