



INSTALLATION GUIDE, 240V

Lune Pendant

FRAGILE FINISHES



PLEASE WEAR GLOVES DURING INSTALL



INSTALLATION GUIDE

Attention!

Please carefully read instructions before use

PRODUCT:	Lune, Pendant 240V
PRODUCT CODE:	MARZ-LUNE-3P
RATED VOLTAGE:	220-240VAC
FREQUENCY:	50 HZ
FITTING:	3 lamps 4.5W LED
LAMP TYPE:	G9

DANGER: Lights must be installed by a qualified electrician. Electric shock risk.

- Turn off electrical power before beginning installation and use caution when installing.
- Please do not modify or adjust any fixture in a way that is not clearly stated or intended.
- Always ensure the power is off and the luminaire has cooled down before performing any maintenance to the fitting.
- To avoid injury or damage to the luminaire, ensure that power leads and screws are secure before connecting the power.
- Select a suitable location away from liquids and hazards.
- Ensure that the luminaire does not come in contact with corrosive chemicals/solvents or abrasive cleaners etc.
- To avoid electric shock, do not touch this item if your hands are wet.
- To clean, wipe with a soft damp cloth. Do not soak or immerse the luminaire in water or other liquids.
- Do not use if any breakage or distortion is found on the wiring or socket, or if the products have been wet.
- Marz Designs is not responsible for any damages caused by not following the provided instructions.

This luminaire is intended for mounting to a ceiling:

- Carefully check luminaire and wiring for damage before use. Do not use the fixture if it is damaged.
- Ensure that local voltage and frequency match the marking.
- For indoor use only.
- Do not disassemble the structure of the fixture.
- Do not leave children alone with the product.

- If the external flexible cable or cord of this luminaire is damaged, it shall be exclusively replaced by the manufacturer to avoid hazard.
- Please use reliable suspending and fixing devices to avoid danger.
- This is a Class I device and must be connected to a protective grounding.
- Terminal block and connection box is not included.
- Only qualified personnel may install this device. Please observe national installation regulations.

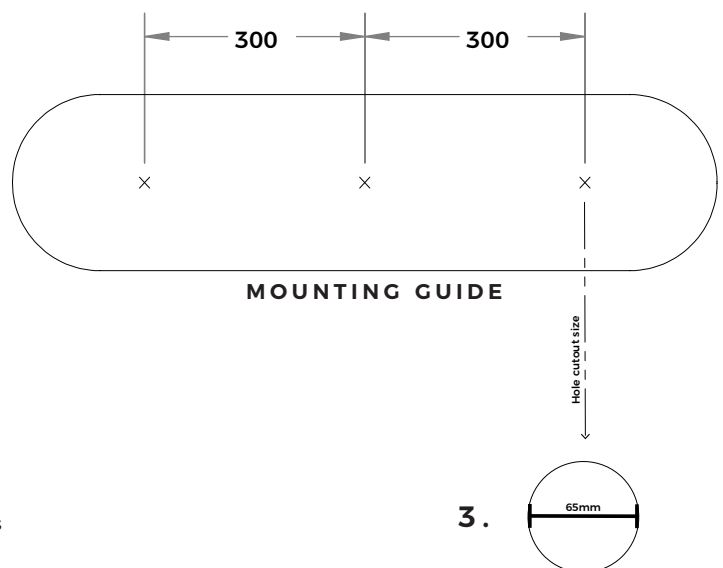
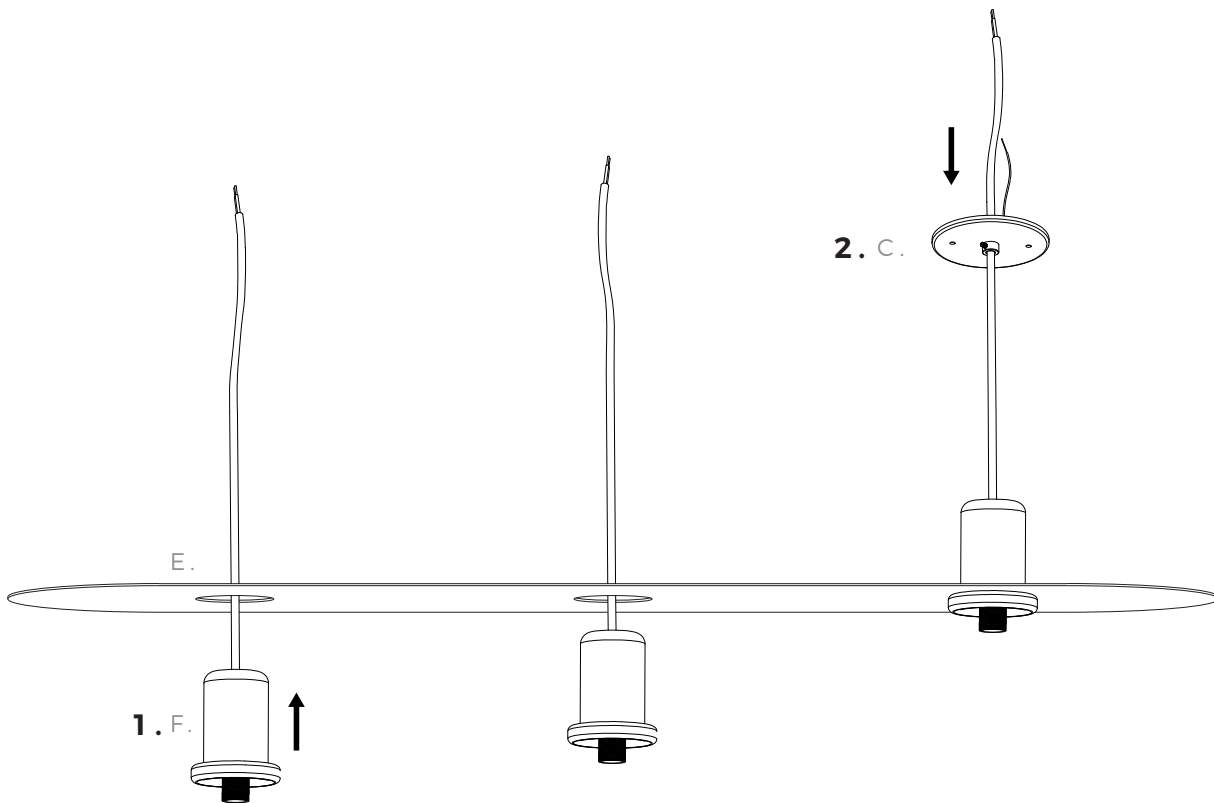
Terminal block shall conform to IEC 60998-2-1 or IEC 60998-2-02 and must comply with the following specifications:

- With screw or screw-less terminal
- Two terminal poles;
 - Rated voltage: 250V
 - Rated connecting capacity: 10 A; 3 x 0.75-1.5mm²
- During installation, ensure that the basic insulation of the supply lead does not touch the ceiling cover. Use proper insulation so that the clearance and distance between the live parts and the ceiling cover is more than 6.5mm between the basic insulation of the supply lead and 3.6mm between the ceiling cover.
- Keep the terminal block inside the ceiling cover or fixed to the ceiling.



INSTALLATION GUIDE, 240V

Lune Pendant



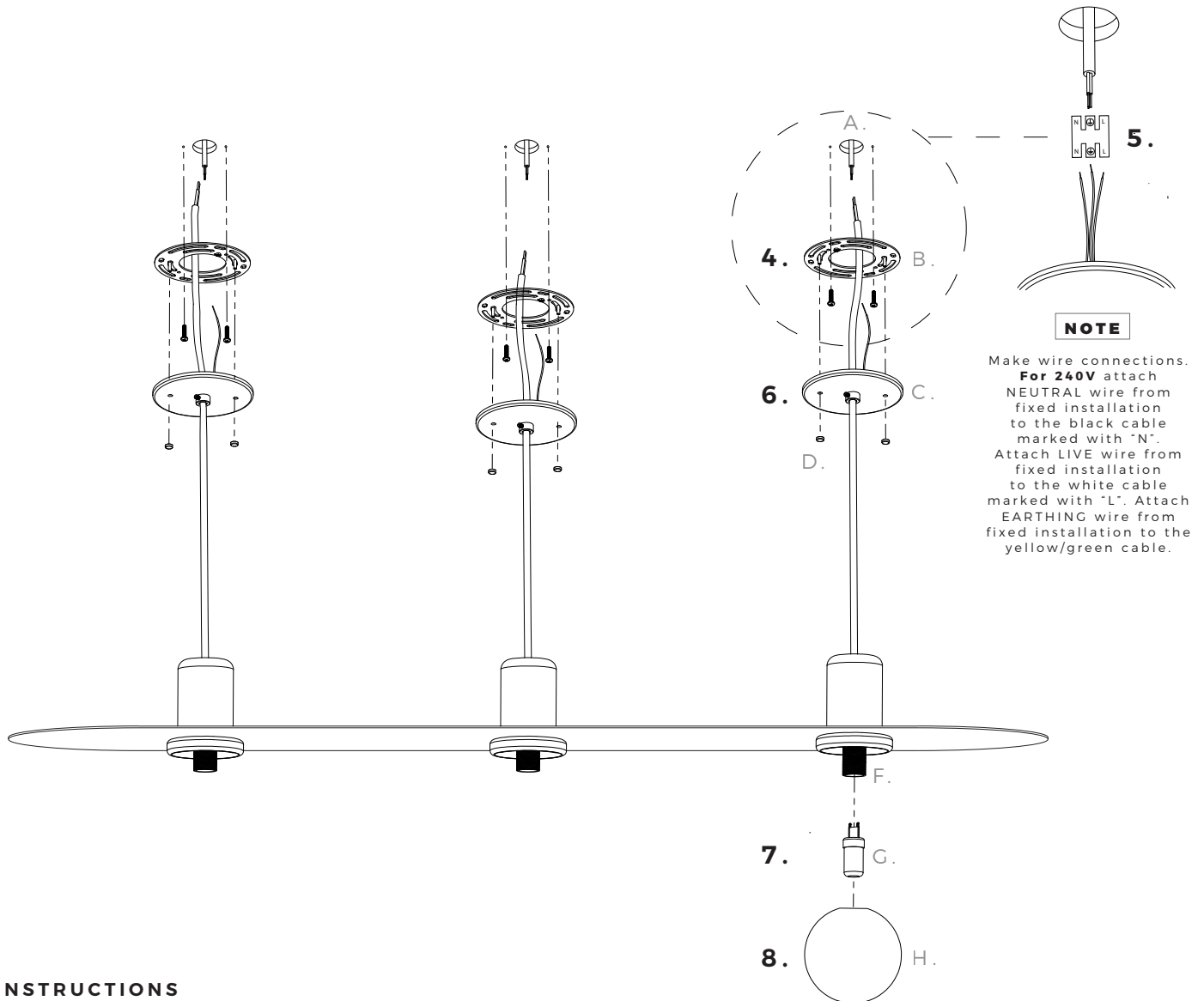
INSTRUCTIONS

1. Slide Lamp Holder (F) and Flex through the Lune Sheet Metal Component (E). Repeat this step 3 x times.
2. Slide Canopy set (C) over Flex. Repeat this step 3 x times.
3. Mark out positions using Mounting Guide and drill 3 x 65mm holes in ceiling using holesaw to allow for cable termination.



INSTALLATION GUIDE, 240V

Lune Pendant



INSTRUCTIONS

4. Use Wall Anchors (not provided) to fix the Universal Mounting Plate (B) to Ceiling (A).
5. Connect electrical leads from the ceiling to the leads from the Fixture. Ensure the wires are secure and no bare wires are exposed, using an enclosed junction box. Repeat this step 3 x times.
6. Install the Canopy (C) to the Ceiling (A) over the Universal Mounting Plate (B) and secure in place with screw head Caps (D) supplied. Repeat this step 3 x times.
7. Push the Light Globe (G) into the Lamp Holder (F), repeat this step 3 x times.
8. Screw the Glass Cover (H) onto the Lamp Holder (F), repeat this step 3 x times.
CAUTION: Align threads properly for a smooth rotation before twisting to avoid jamming. Do not over-tighten the globe.