



INSTALLATION GUIDE, 240V

# Aurelia Wall Light



**HEAVY**

REINFORCEMENT BEHIND SUBSTRATE MAY BE REQUIRED,  
PLEASE CHECK WITH INSTALLER PRIOR TO INSTALLATION.  
SUITABLE FIXINGS REQUIRED.



**FRAGILE FINISHES**

PLEASE WEAR GLOVES DURING INSTALL



## INSTALLATION GUIDE

# Attention!

Please carefully read instructions before use

PRODUCT:	Aurelia Wall 240V
PRODUCT CODE:	MARZ-AURELIA-W
RATED VOLTAGE:	220-240VAC
FREQUENCY:	50 HZ
FITTING:	1 lamp 4.5W LED
LAMP TYPE:	G9

### **DANGER: Lights must be installed by a qualified electrician. Electric shock risk.**

- Turn off electrical power before beginning installation and use caution when installing.
- Please do not modify or adjust any fixture in a way that is not clearly stated or intended.
- Always ensure the power is off and the luminaire has cooled down before performing any maintenance to the fitting.
- To avoid injury or damage to the luminaire, ensure that power leads and screws are secure before connecting the power.
- Select a suitable location away from liquids and hazards.
- Ensure that the luminaire does not come in contact with corrosive chemicals/solvents or abrasive cleaners etc.
- To avoid electric shock, do not touch this item if your hands are wet.
- To clean, wipe with a soft damp cloth. Do not soak or immerse the luminaire in water or other liquids.
- Do not use if any breakage or distortion is found on the wiring or socket, or if the products have been wet.
- Marz Designs is not responsible for any damages caused by not following the provided instructions.

### **This luminaire is intended for mounting to a ceiling:**

- Carefully check luminaire and wiring for damage before use. Do not use the fixture if it is damaged.
- Ensure that local voltage and frequency match the marking.
- For indoor use only.
- Do not disassemble the structure of the fixture.
- Do not leave children alone with the product.

- If the external flexible cable or cord of this luminaire is damaged, it shall be exclusively replaced by the manufacturer to avoid hazard.
- Please use reliable suspending and fixing devices to avoid danger.
- This is a Class I device and must be connected to a protective grounding.
- Terminal block and connection box is not included.
- Only qualified personnel may install this device. Please observe national installation regulations.

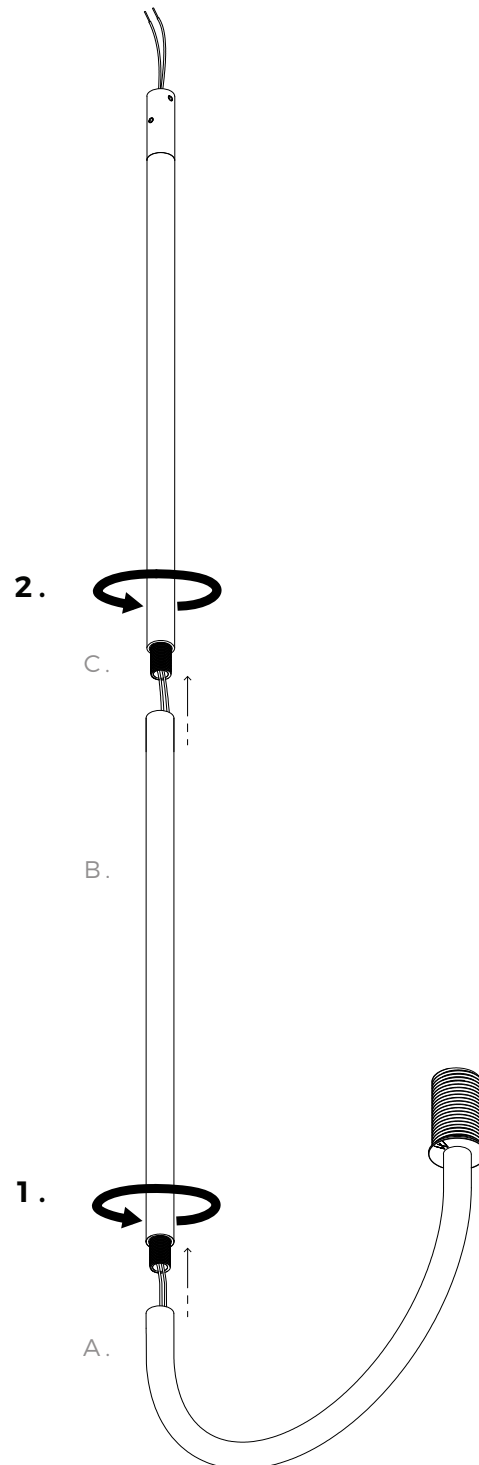
### **Terminal block shall conform to IEC 60998-2-1 or IEC 60998-2-02 and must comply with the following specifications:**

- With screw or screw-less terminal
- Two terminal poles;
  - Rated voltage: 250V
  - Rated connecting capacity: 10 A; 3 x 0.75-1.5mm<sup>2</sup>
- During installation, ensure that the basic insulation of the supply lead does not touch the ceiling cover. Use proper insulation so that the clearance and distance between the live parts and the ceiling cover is more than 6.5mm between the basic insulation of the supply lead and 3.6mm between the ceiling cover.
- Keep the terminal block inside the ceiling cover or fixed to the ceiling.



ASSEMBLY GUIDE, 240V

# Aurelia Wall Light



## Assembling the rods

1. Start by feeding the Cables from the Curved Rod (A) through the Straight Rods (B). Secure them together one at a time.
2. If additional rod lengths are required, wind Threaded Insert (C) into the rod to connect the additional rod lengths together. Repeat this step for additional lengths.

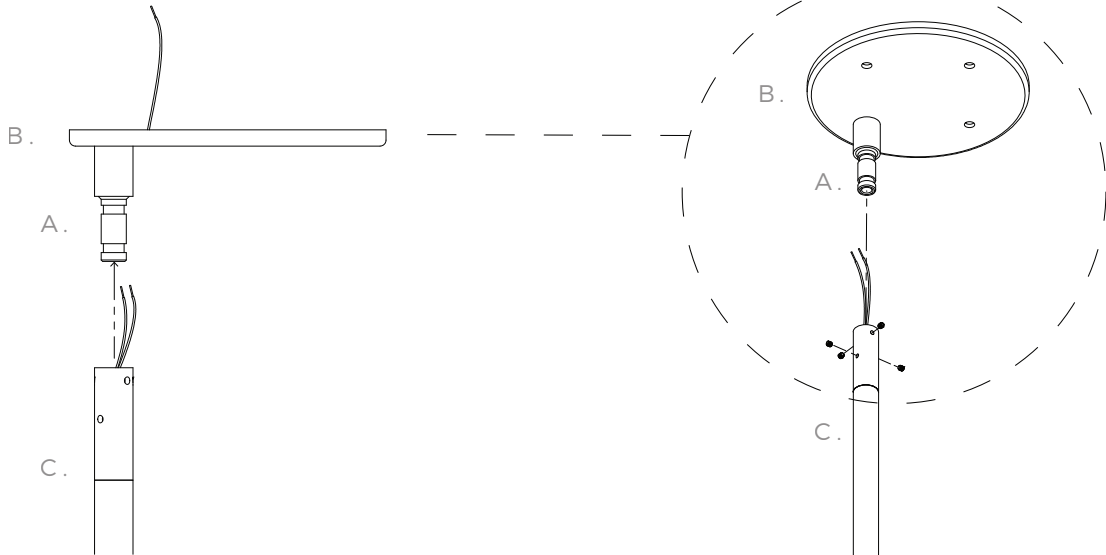
**Note: Maximum Length 3m.**



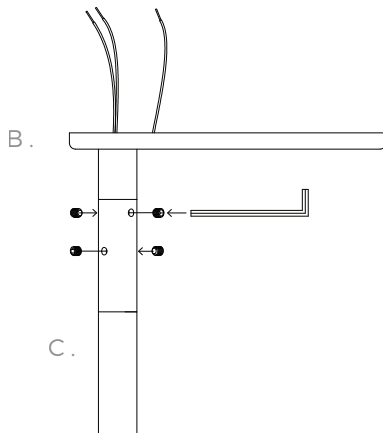
ASSEMBLY GUIDE, 240V

# Aurelia Wall Light

3.

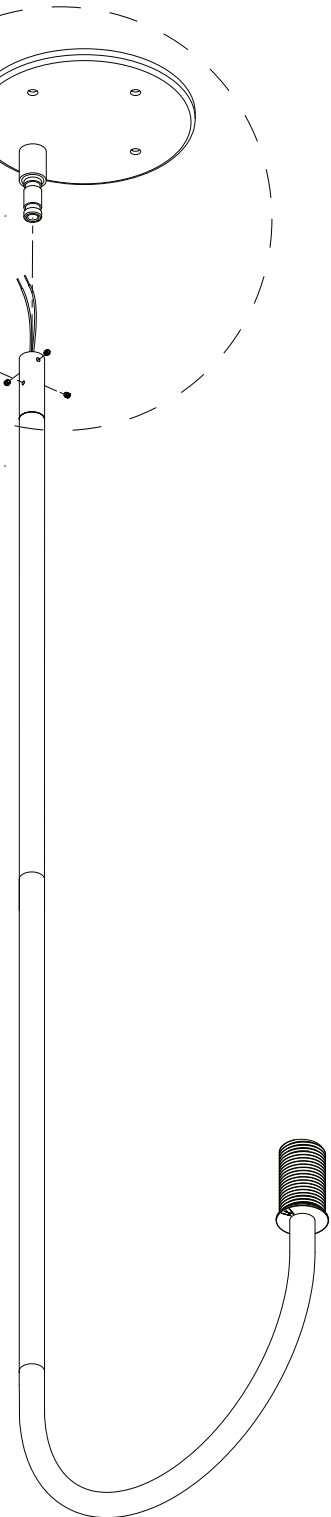


4.



## Securing the fixture

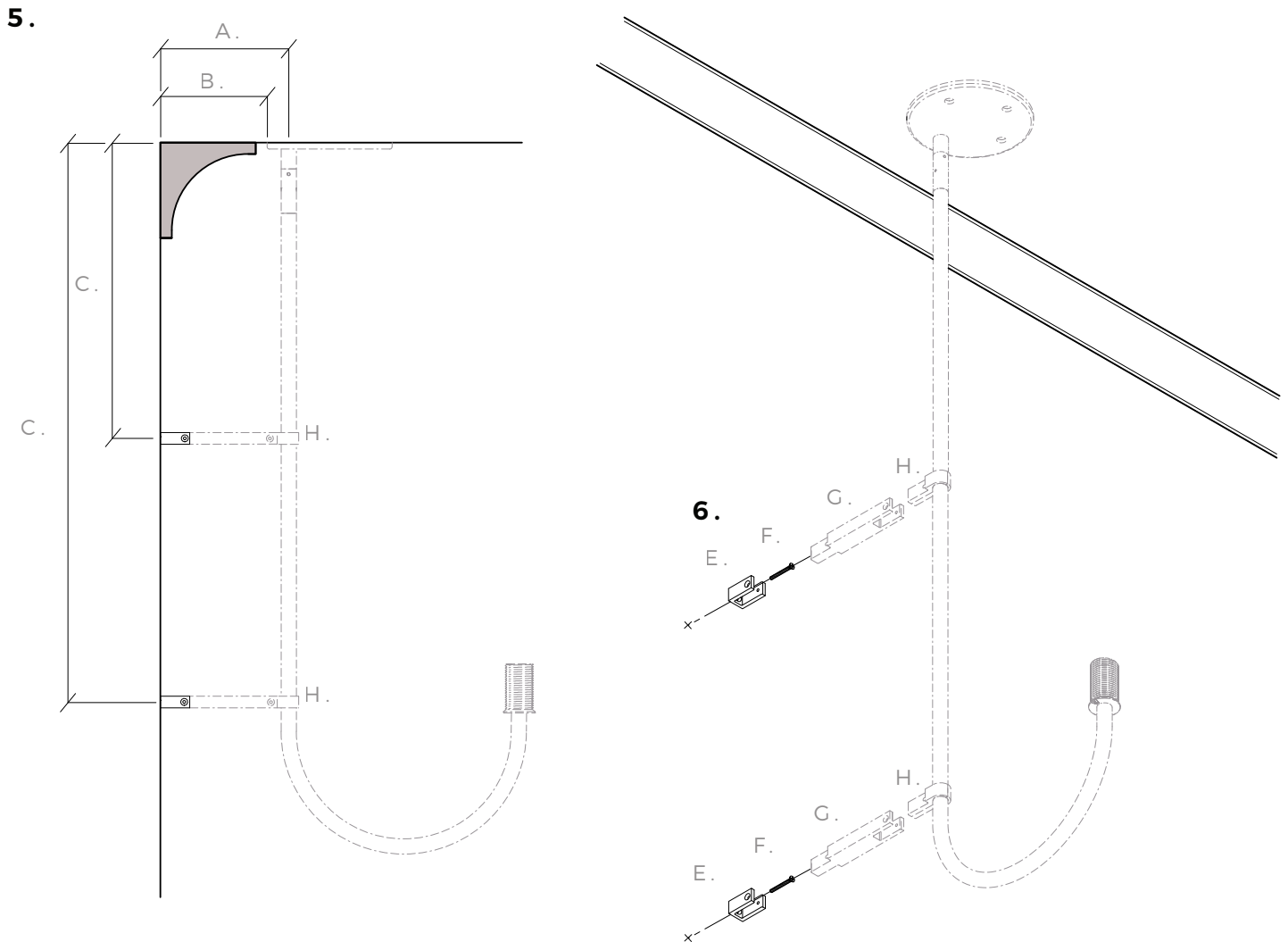
3. Feed cables through Swivel Mount (A) and Canopy (B).
4. Slide Rod (C) onto the Swivel Mount (A) and fix in place with 4x 4mm grub screws using a 2mm Allen key (provided). Hand tighten to ensure the Rod (C) is securely fastened to the Swivel Mount (A). Do not over tighten grub screws.





ASSEMBLY GUIDE, 240V

# Aurelia Wall Light - Option 1



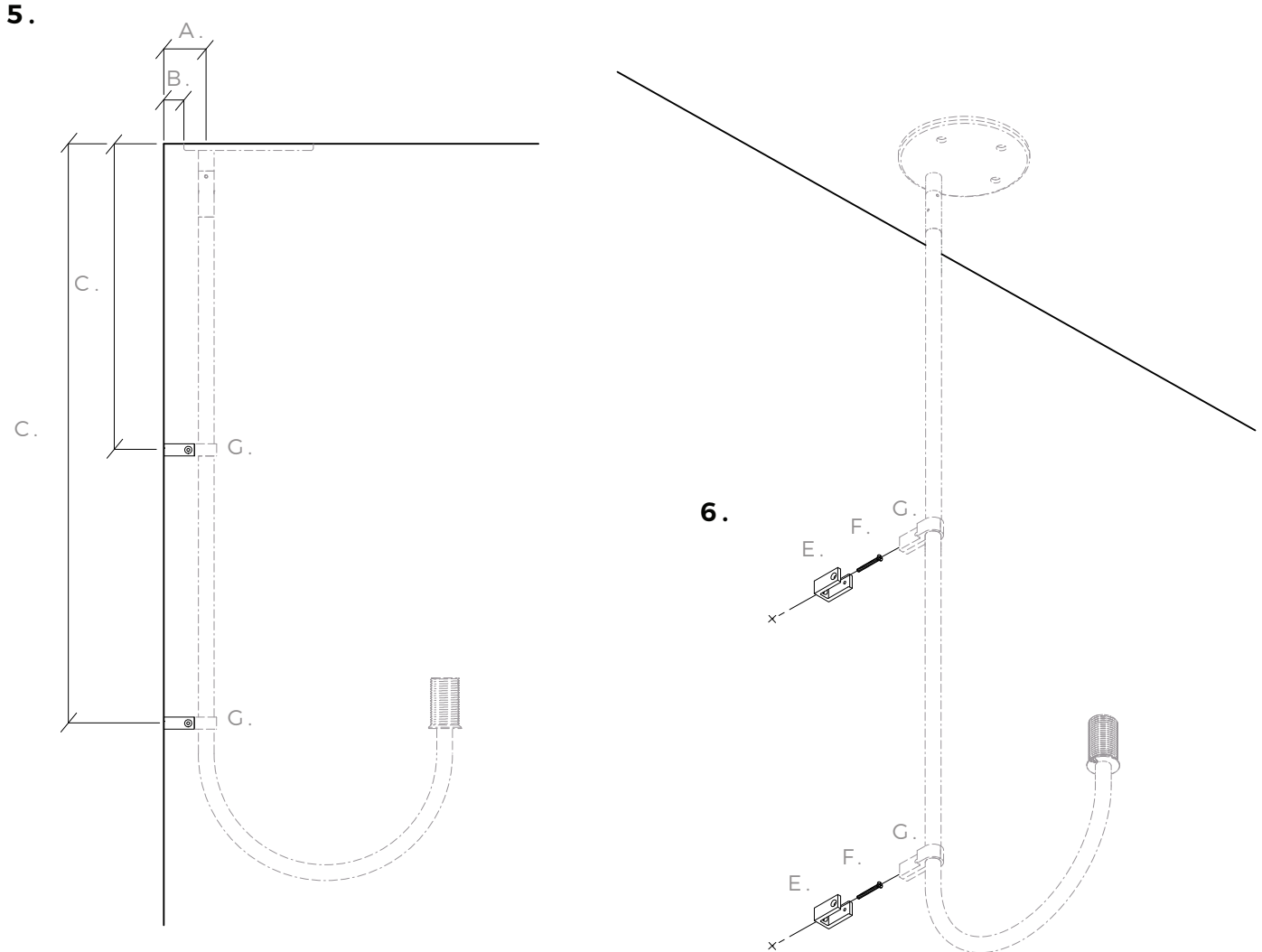
## Wall Fixings - Cornice - Option 1

5. Measure and mark out positions of the Wall Mounts (E).  
Note: **If the wall does not have cornice**, please proceed to the next page for Option 2.  
**Distance A** - Wall to centre of rod: 115mm  
**Distance B** - Wall to edge of fixture: 96.5mm  
**Distance C** - Ceiling to centre of 1st Rod Clamp (H): Measure on site  
Repeat last step for all additional Rod Clamps (H).
6. Secure in place using the supplied screws (size 8g) (F). Ensure appropriate wall anchors are used for substrate.  
**Note:** The Extension (G) and Rod Clamps (H) will only be required for measurements in this step. Part will be required once pendant is secured to ceiling.



ASSEMBLY GUIDE, 240V

# Aurelia Wall Light - Option 2



## Wall Fixings - No Cornice - Option 2

- 5.** Measure and mark out positions of Rod Wall Clamp Mounts (E).

**Distance A** - Wall to centre of rod: 38mm

**Distance B** - Wall to edge of fixture: 19.5mm

**Distance C** - Ceiling to centre of 1st Rod Clamp (G): Measure on site  
Repeat last step for all additional Rod Clamps (G).

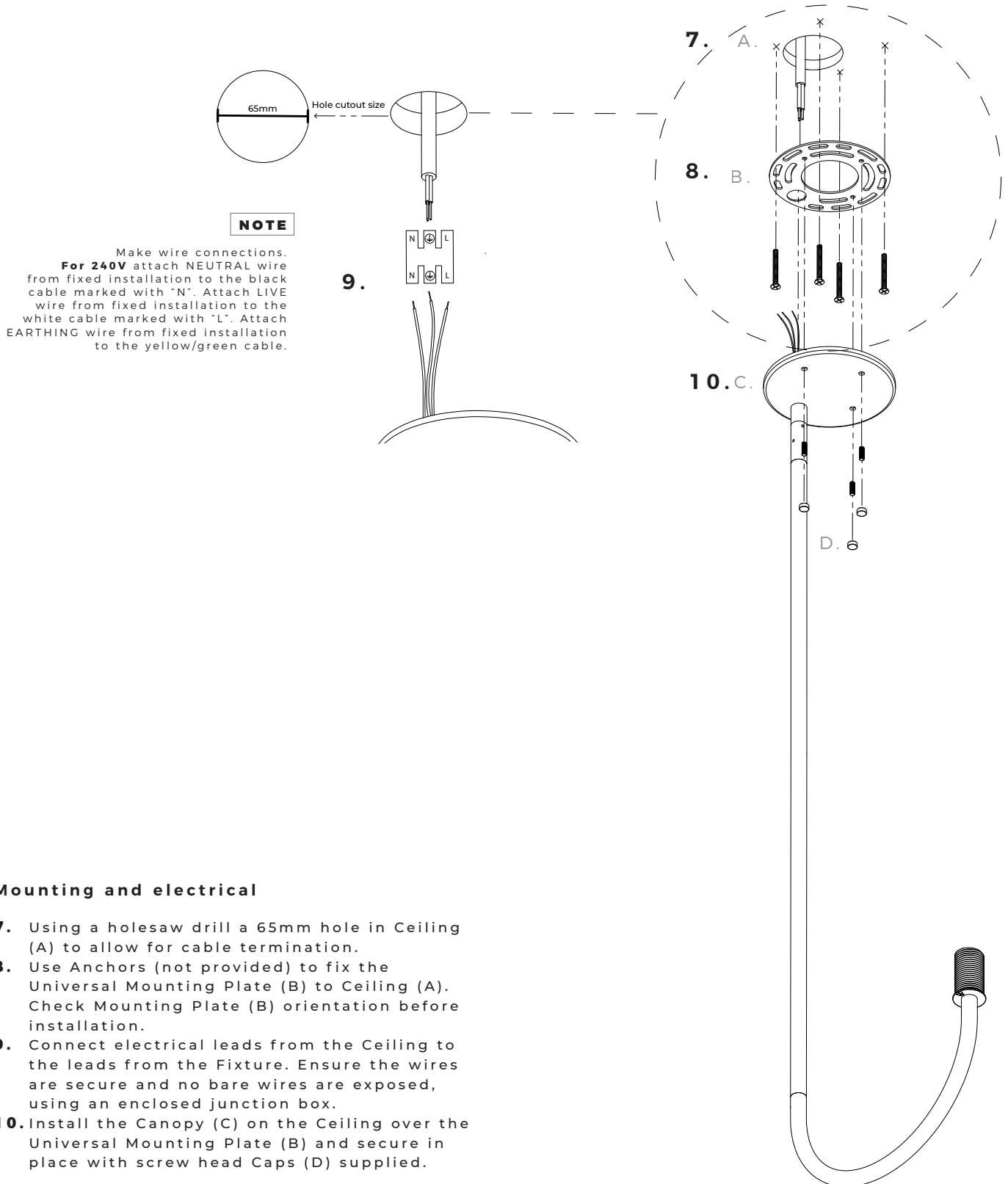
- 6.** Secure in place using the supplied screws (size 8g) (F). Ensure appropriate wall anchors are used for substrate.

**Note:** The Rod Clamps (H) will only be required for measurements in this step. Part will be required once pendant is secured to ceiling.  
See Page 6. for option 1.



INSTALLATION GUIDE, 240V

# Aurelia Wall Light



## Mounting and electrical

7. Using a holesaw drill a 65mm hole in Ceiling (A) to allow for cable termination.
8. Use Anchors (not provided) to fix the Universal Mounting Plate (B) to Ceiling (A). Check Mounting Plate (B) orientation before installation.
9. Connect electrical leads from the Ceiling to the leads from the Fixture. Ensure the wires are secure and no bare wires are exposed, using an enclosed junction box.
10. Install the Canopy (C) on the Ceiling over the Universal Mounting Plate (B) and secure in place with screw head Caps (D) supplied.



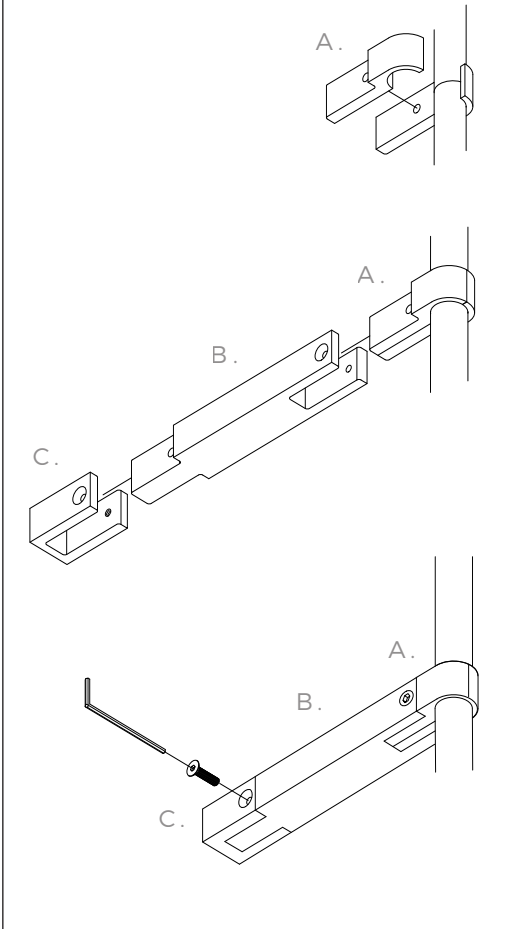
INSTALLATION GUIDE, 240V

# Aurelia Wall Light

## 11.

### Option 1

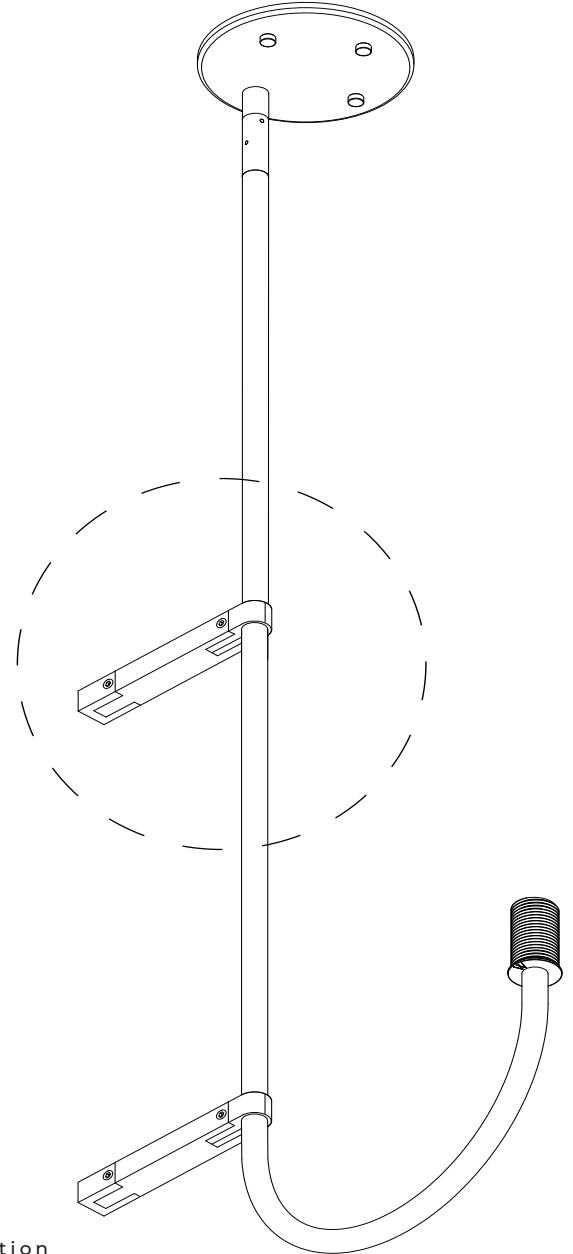
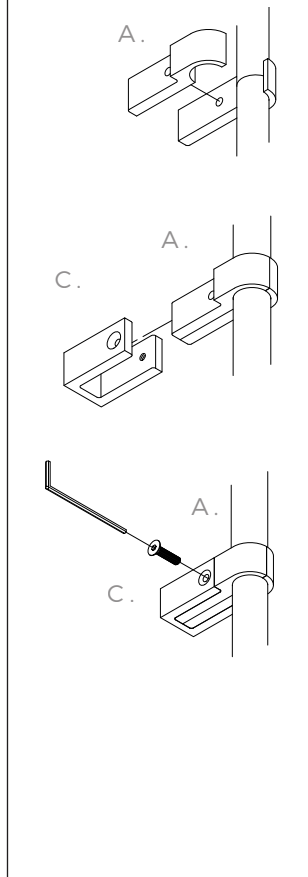
Suitable for ceilings with Cornice



## 12.

### Option 2

Suitable for ceilings  
with out Cornice



### Installing the rod clips

#### 11. For Option 1:

Apply the Rod Clamps (A) to the assembly by clamping both sides around Rod. Locate the Rod Clamps (A) over the connection seams of the Rods to conceal the joins.

Slot the Extension onto the Rod Clamps, align the holes and secure with a 1x 16mm m3 countersunk screw using the 2mm Allen key (provided). Fit the Extension into the Wall Mount (C) and again align the holes to secure in place with a 1x 16mm m3 countersunk screw using the 2mm Allen key (provided).

#### 12. For Option 2:

Apply the Rod Clamps (A) to the assembly by clamping both sides around the Rod. Locate the Rod Clamps (A) over the connection seams of the Rods to conceal the joins.

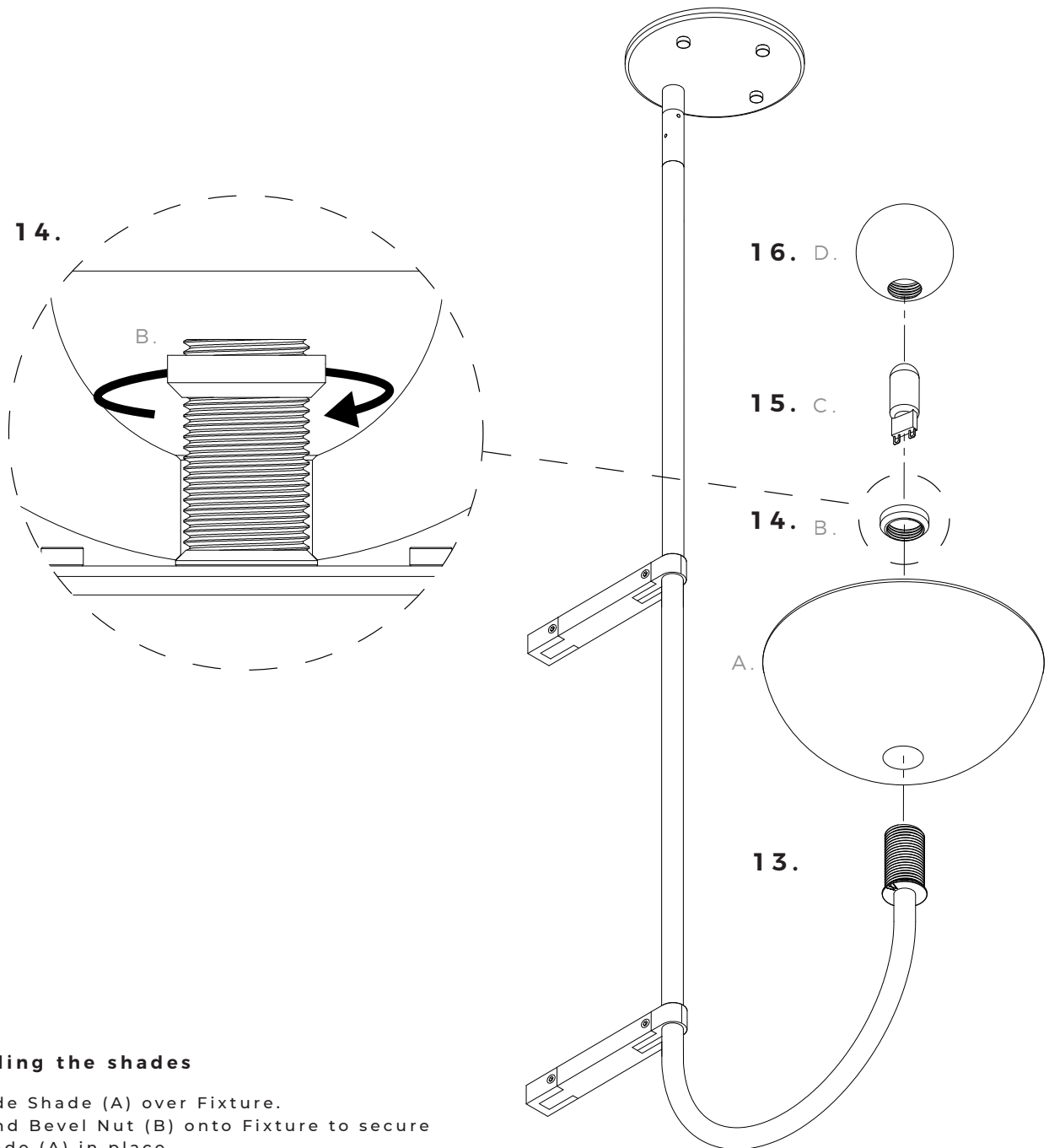
Slot the Rod Clamps (A) into the Wall Mount (C) and align the holes to secure in place with a 1x 16mm m3 countersunk screw using the 2mm Allen key (provided).





INSTALLATION GUIDE, 240V

# Aurelia Wall Light



## Installing the shades

- 13.** Slide Shade (A) over Fixture.
- 14.** Wind Bevel Nut (B) onto Fixture to secure Shade (A) in place.
- 15.** Push the Light Globe (C) into the Fixture Socket.
- 16.** Screw the Glass Cover (D) onto the Fixture Socket. **CAUTION:** Align threads properly for a smooth rotation before twisting to avoid jamming. Do not over-tighten the globe.